


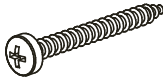


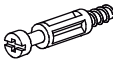




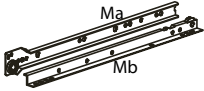
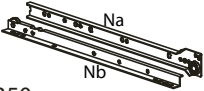
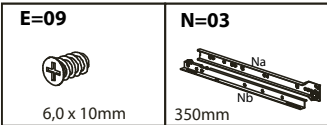
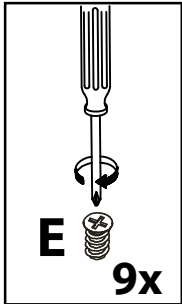
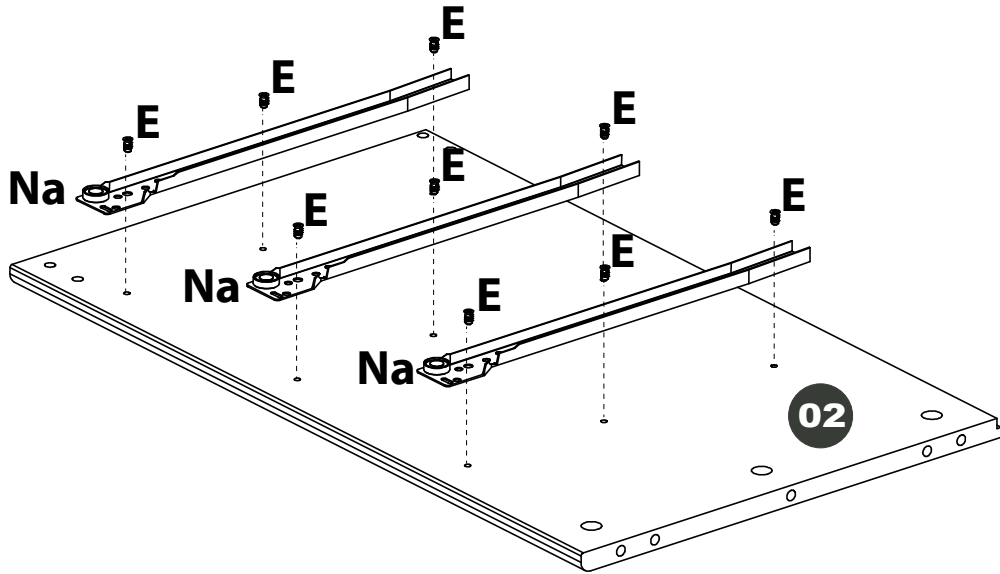
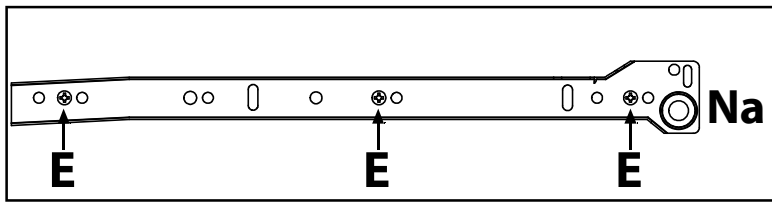
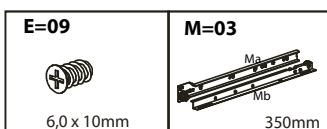
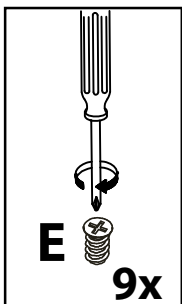
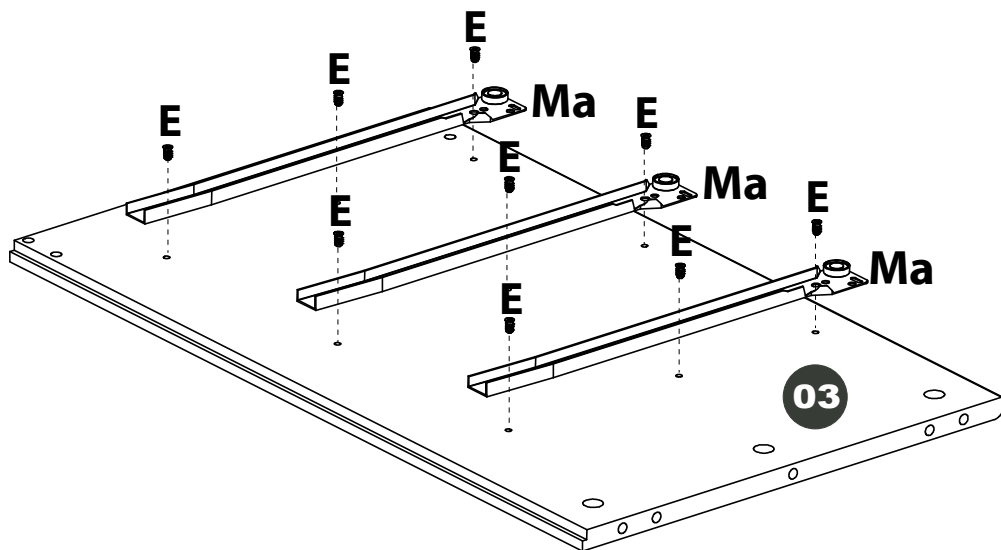
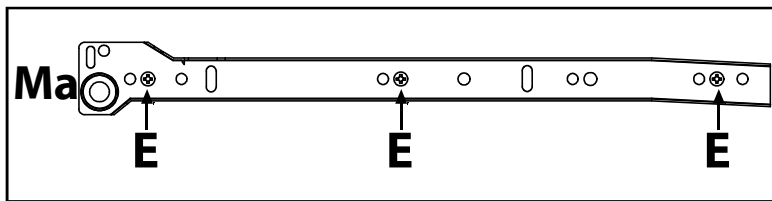


<b>A=24</b>  8,0 x 30mm	<b>B=28</b>  3,5 x 30mm	<b>C=19</b>  3,0 x 16mm	<b>D=03</b>  4,0 x 40mm	<b>E=18</b>  6,0 x 10mm
<b>F=14</b>  8,0 x 8,0mm	<b>G=06</b>  350mm	<b>H=06</b>  350mm	<b>I=02</b> 	<b>J=01</b> 
<b>L=03</b> 	<b>M=03</b>  350mm	<b>N=03</b>  350mm		

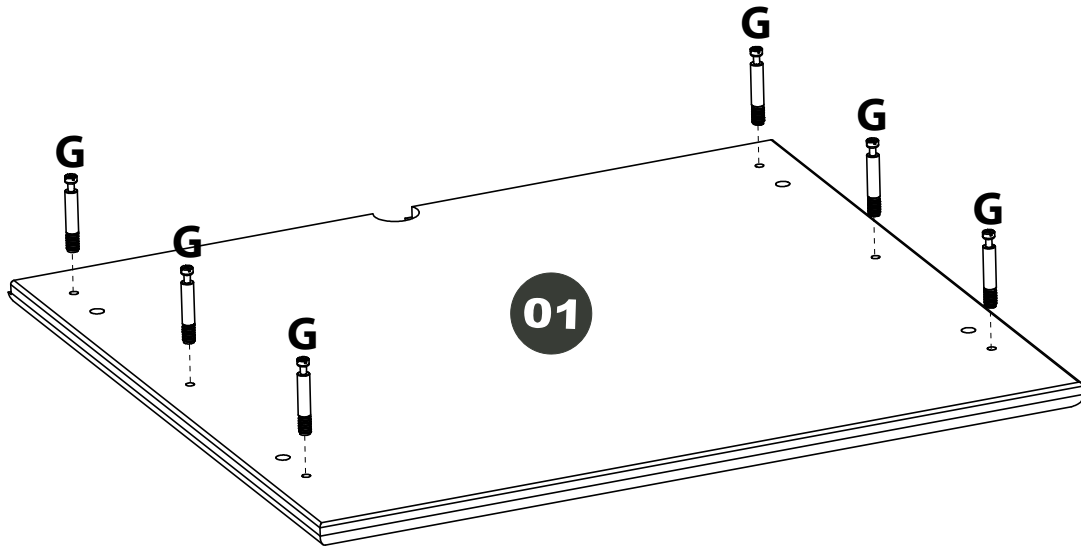
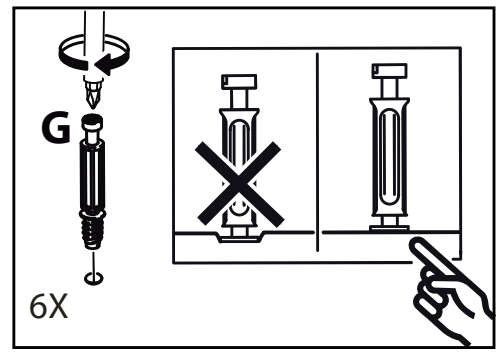
1



2



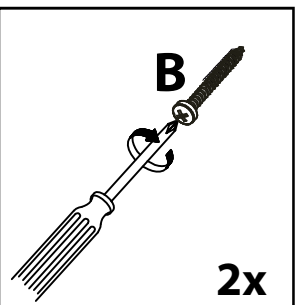
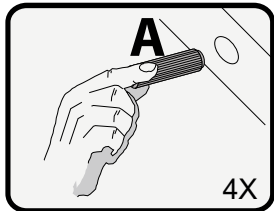
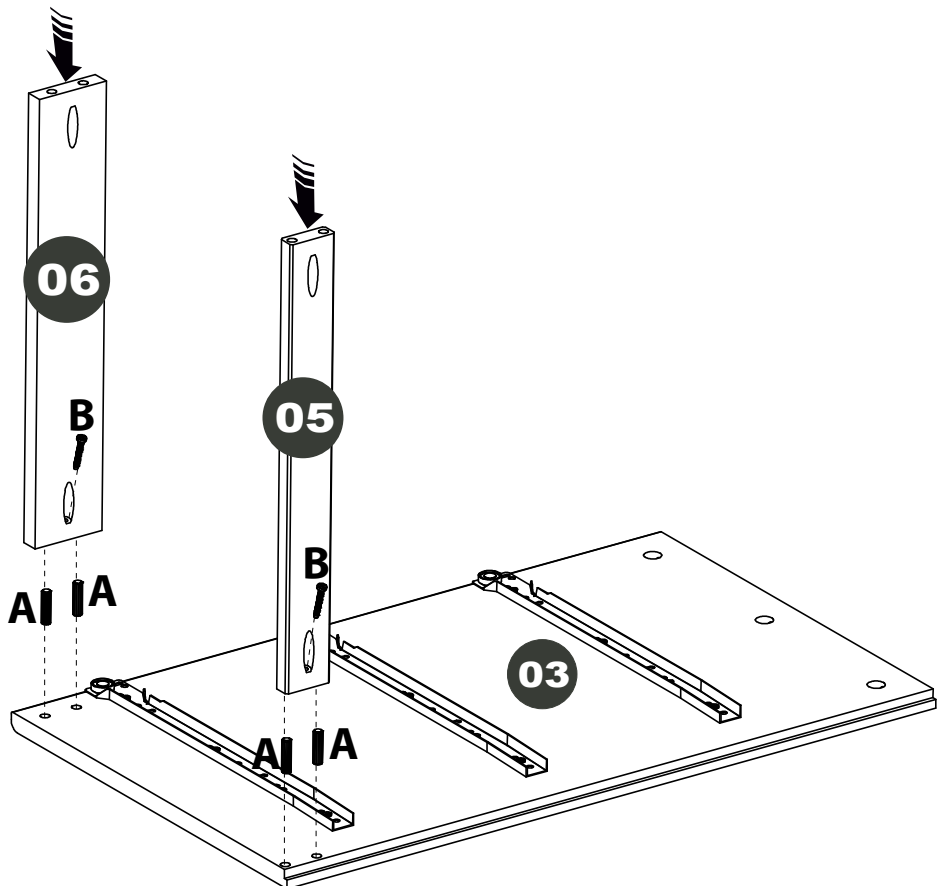
3



G=06



4



A=04



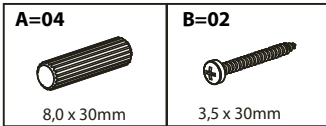
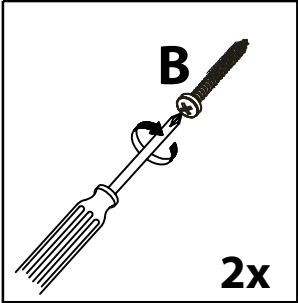
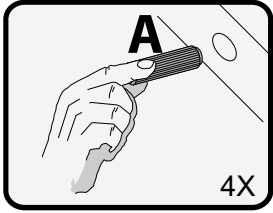
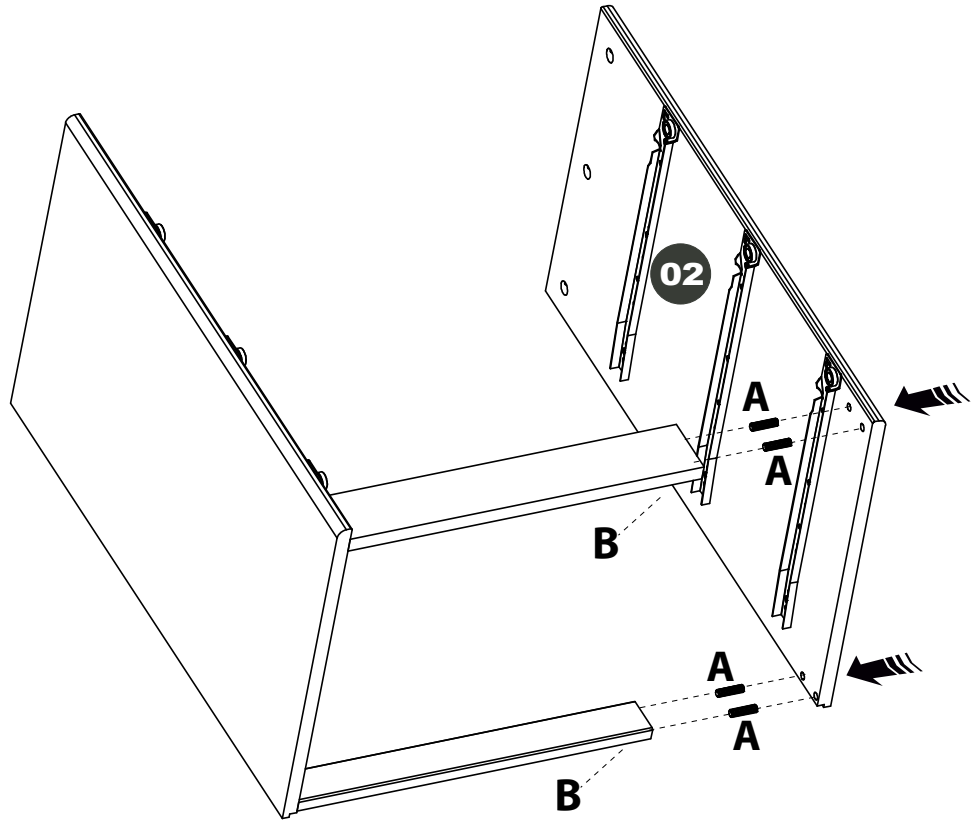
8,0 x 30mm

B=02

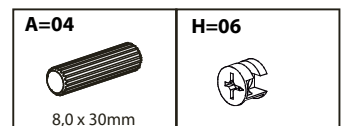
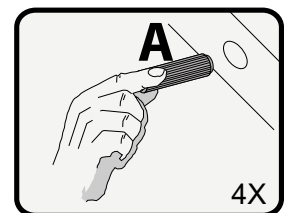
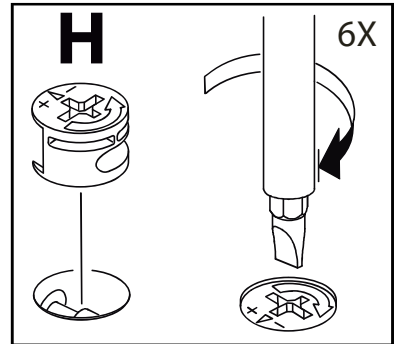
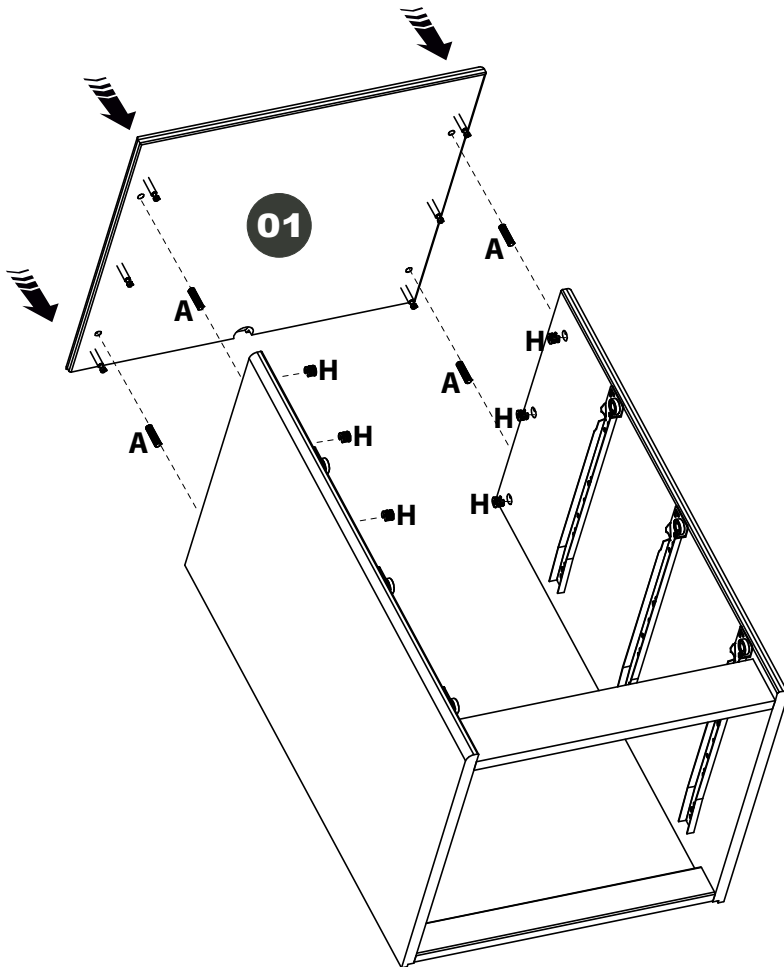


3,5 x 30mm

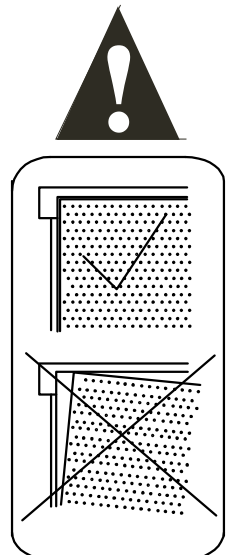
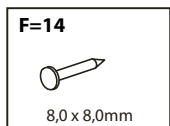
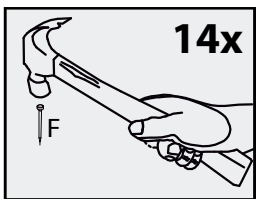
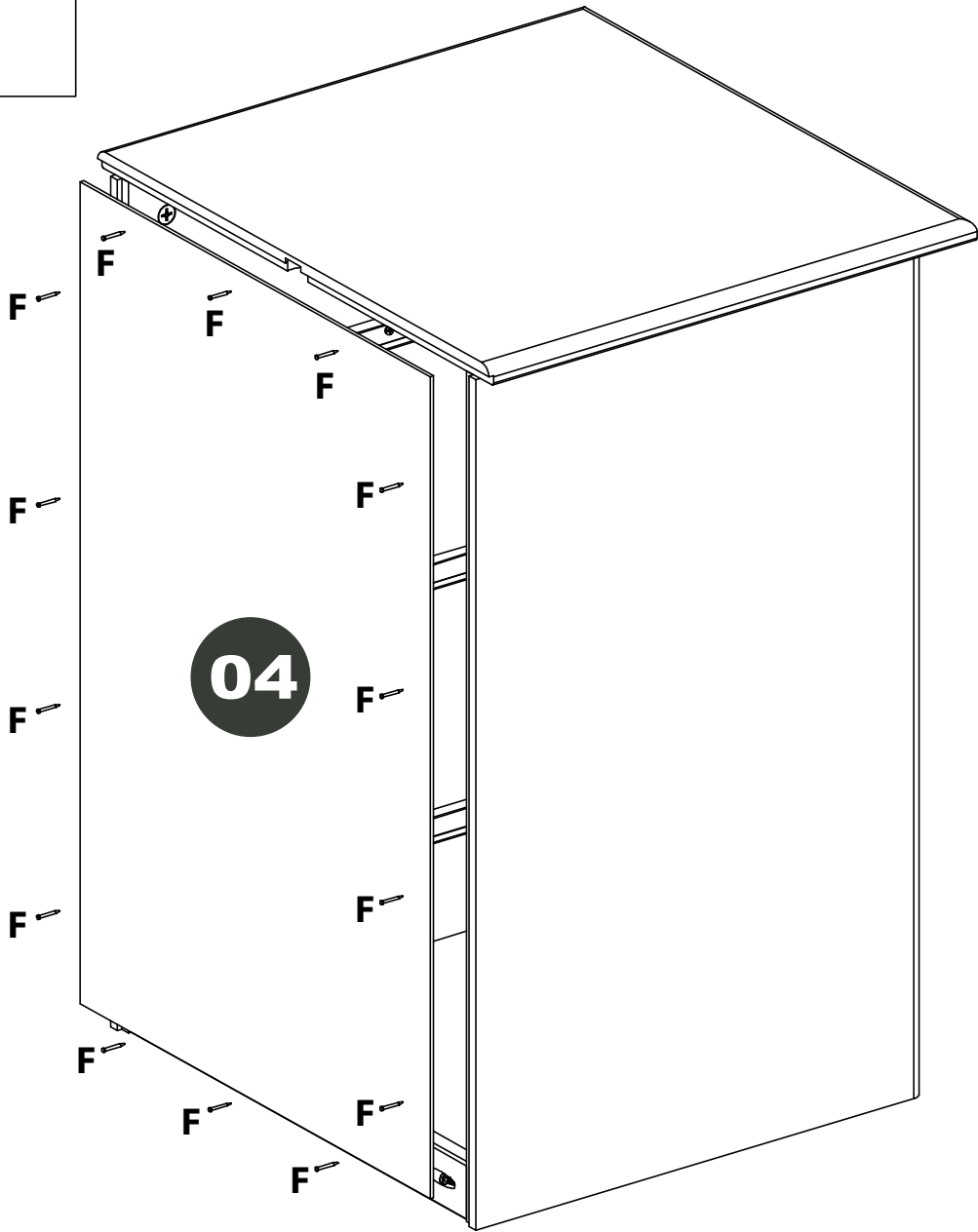
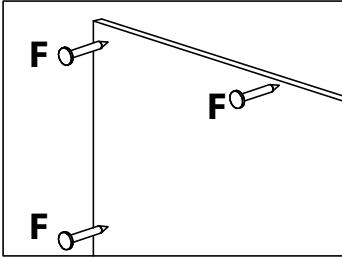
5



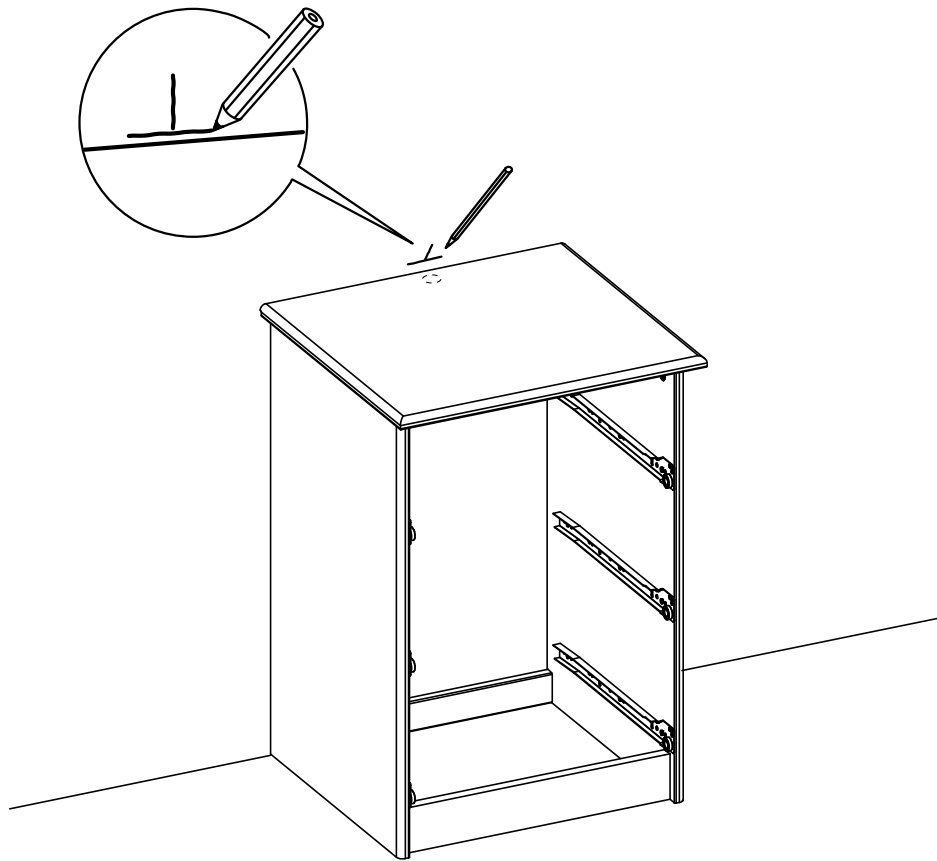
6



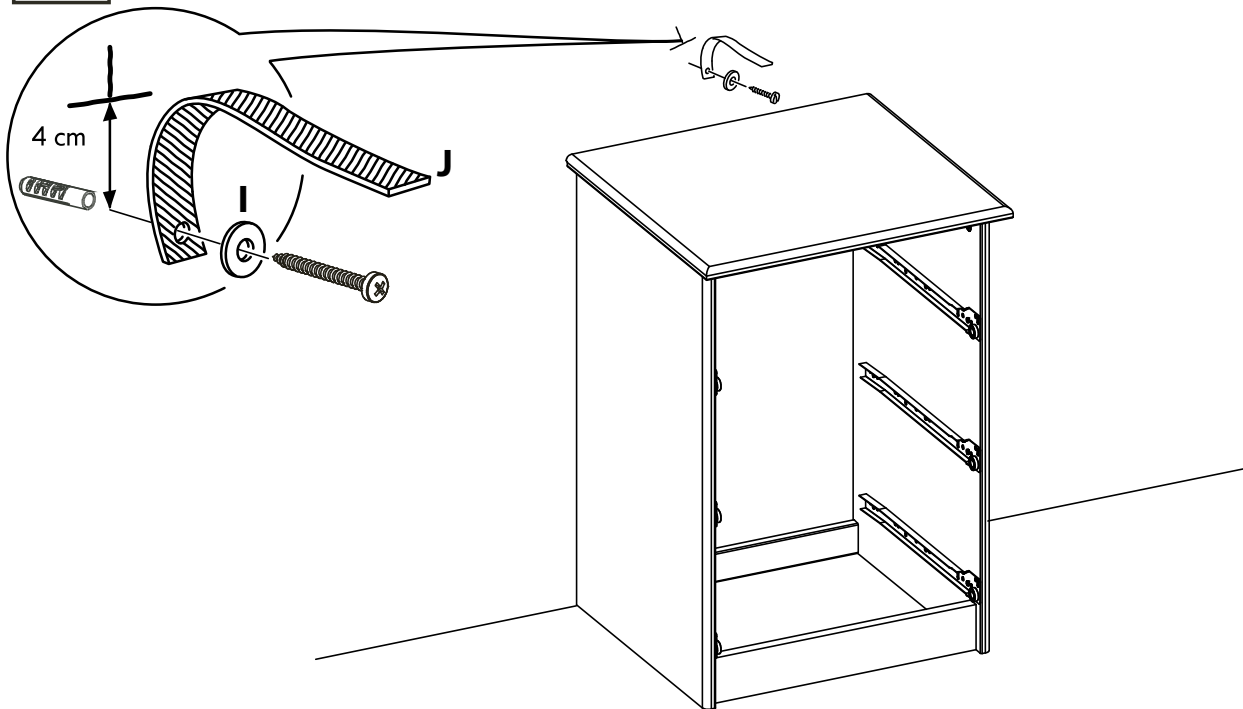
**7**





8

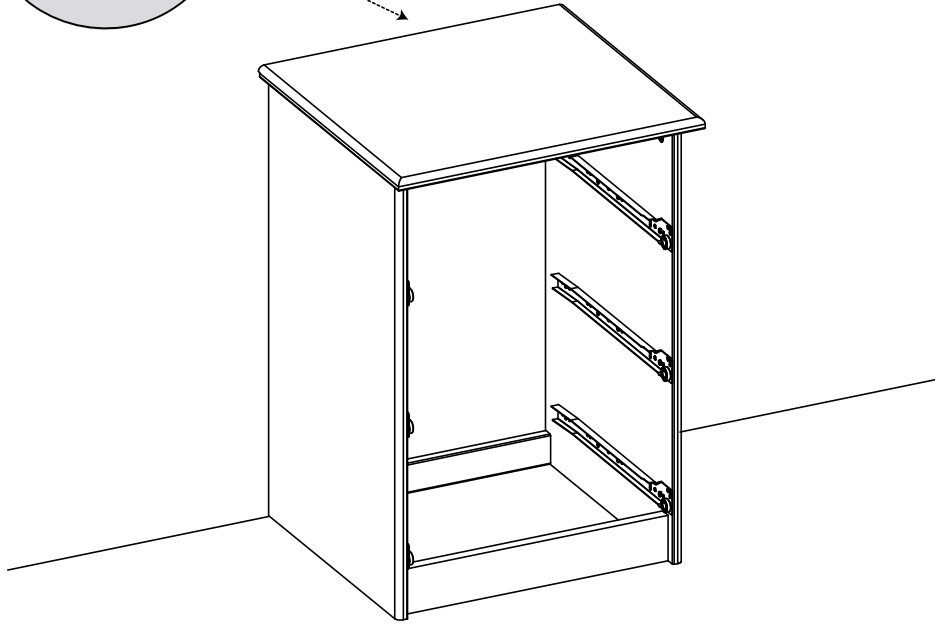
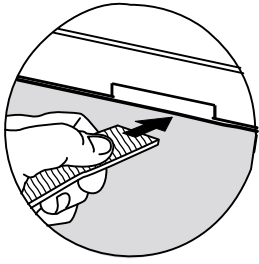


9

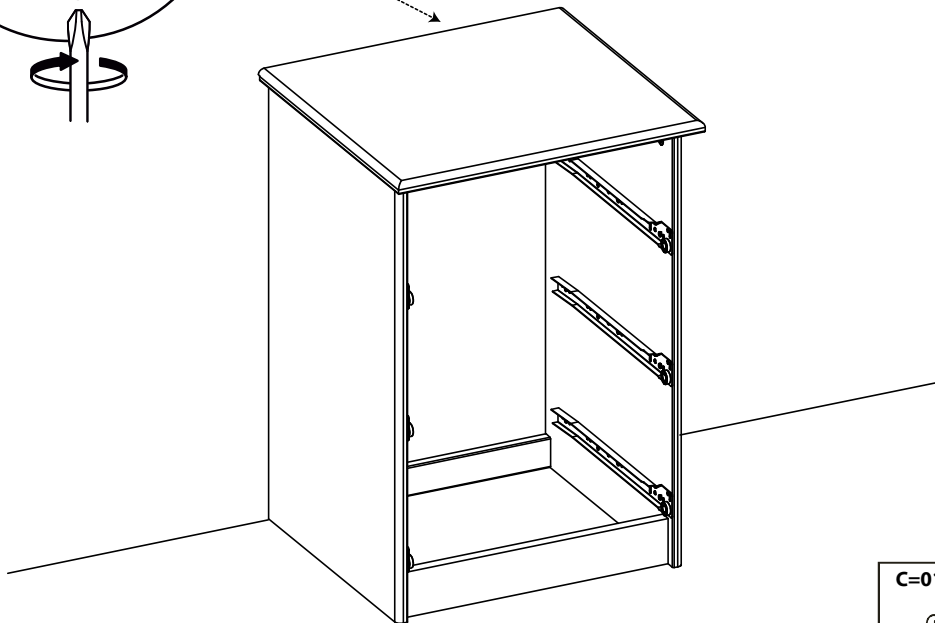
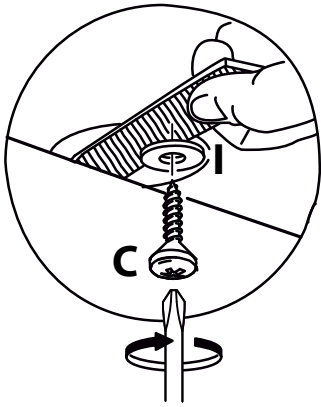




I=01	J=01
	

10



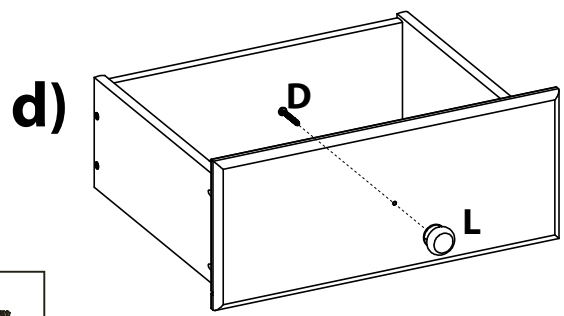
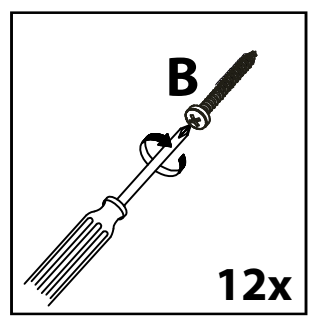
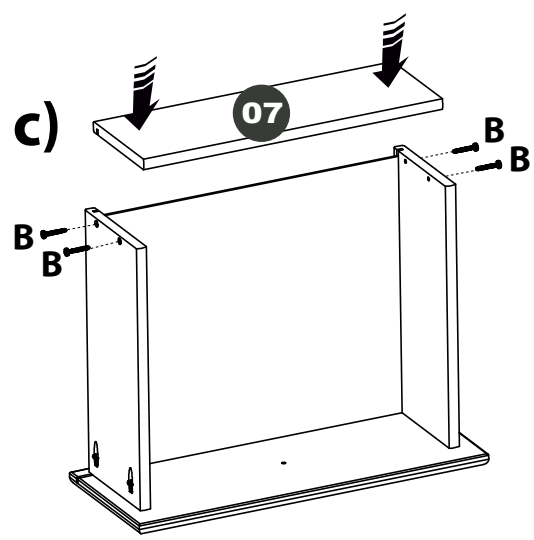
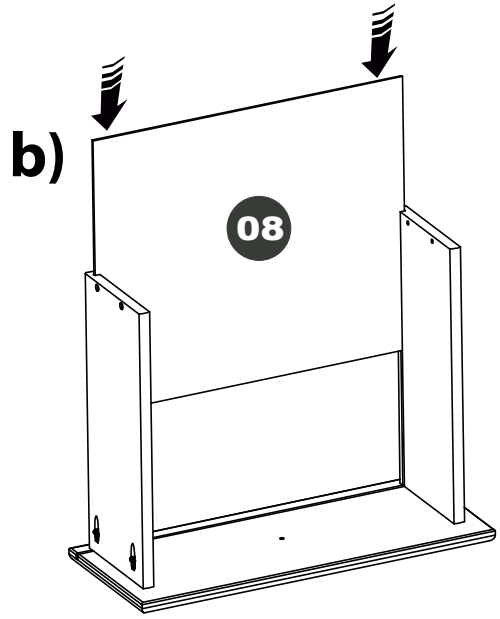
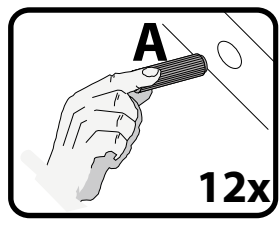
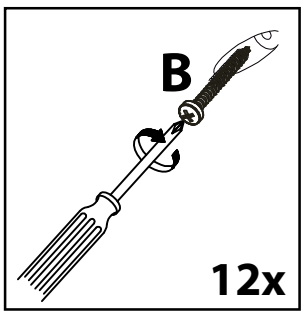
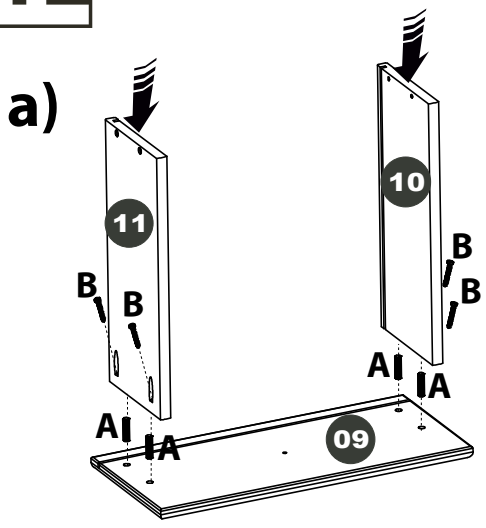
11



<b>C=01</b>  3,0 x 16mm	<b>I=01</b> 
--	--

12

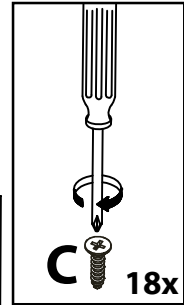
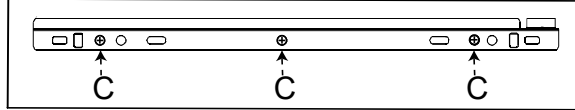
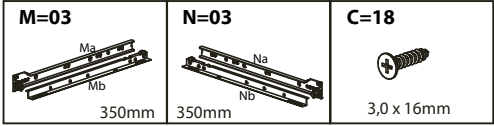
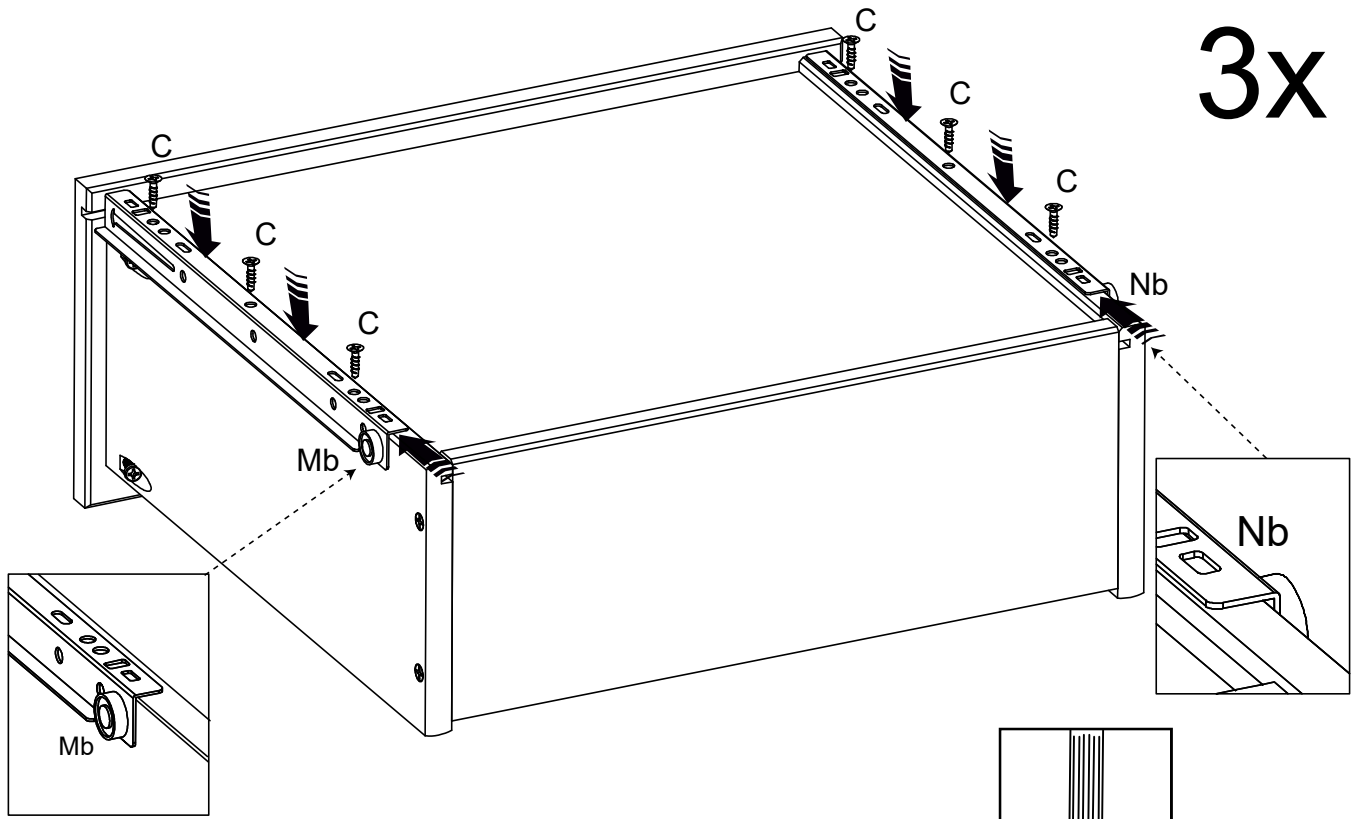
3X



L=03	D=03	A=12	B=24
	4,0 x 40mm	8,0 x 30mm	3,5 x 30mm

13

3x



14

