





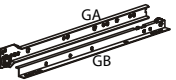
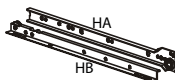




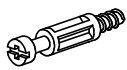
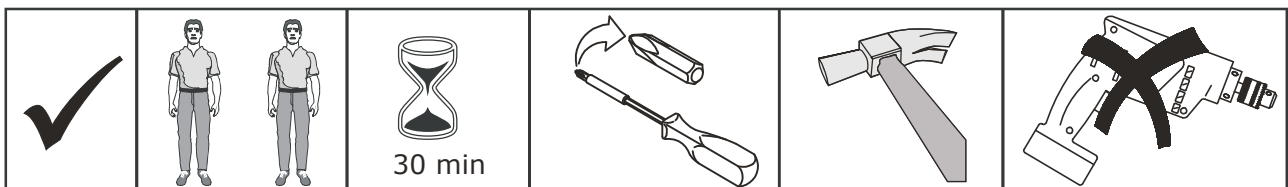
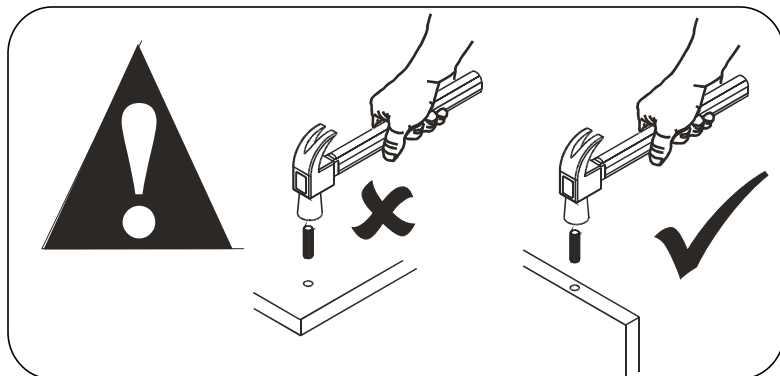
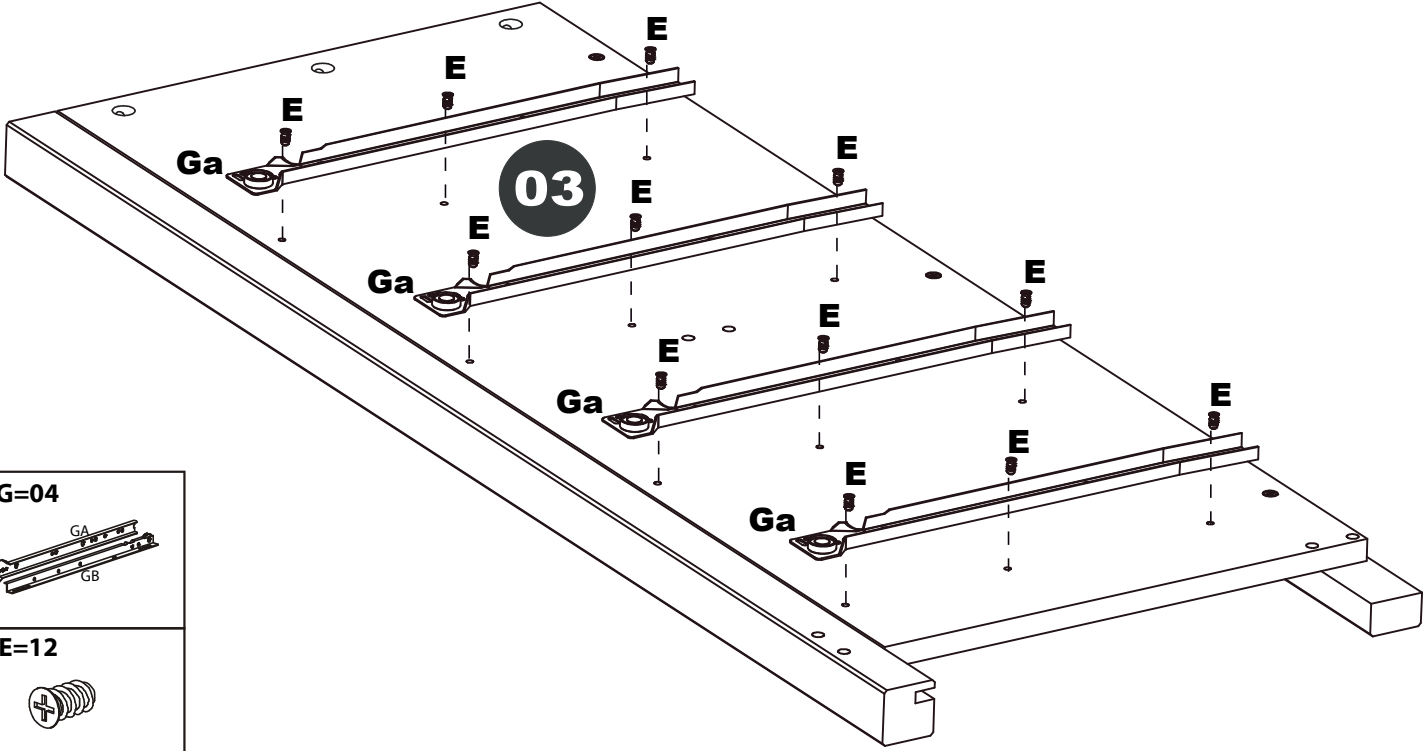
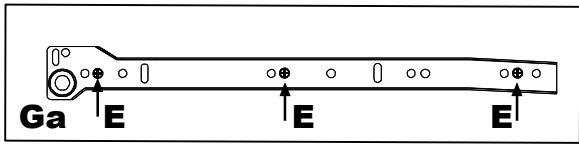


<b>A=34</b>  8,0 x 30mm	<b>B=38</b>  3,5 x 30mm	<b>C=11</b>  4,0 x 40mm	<b>D=25</b>  3,0x 16mm	<b>E=24</b>  6,0x 10mm
<b>F=26</b> 	<b>G=04</b> 	<b>H=04</b> 	<b>I=08</b> 	<b>J=02</b> 
<b>K=01</b> 	<b>L=06</b> 	<b>M=06</b> 		



**1**

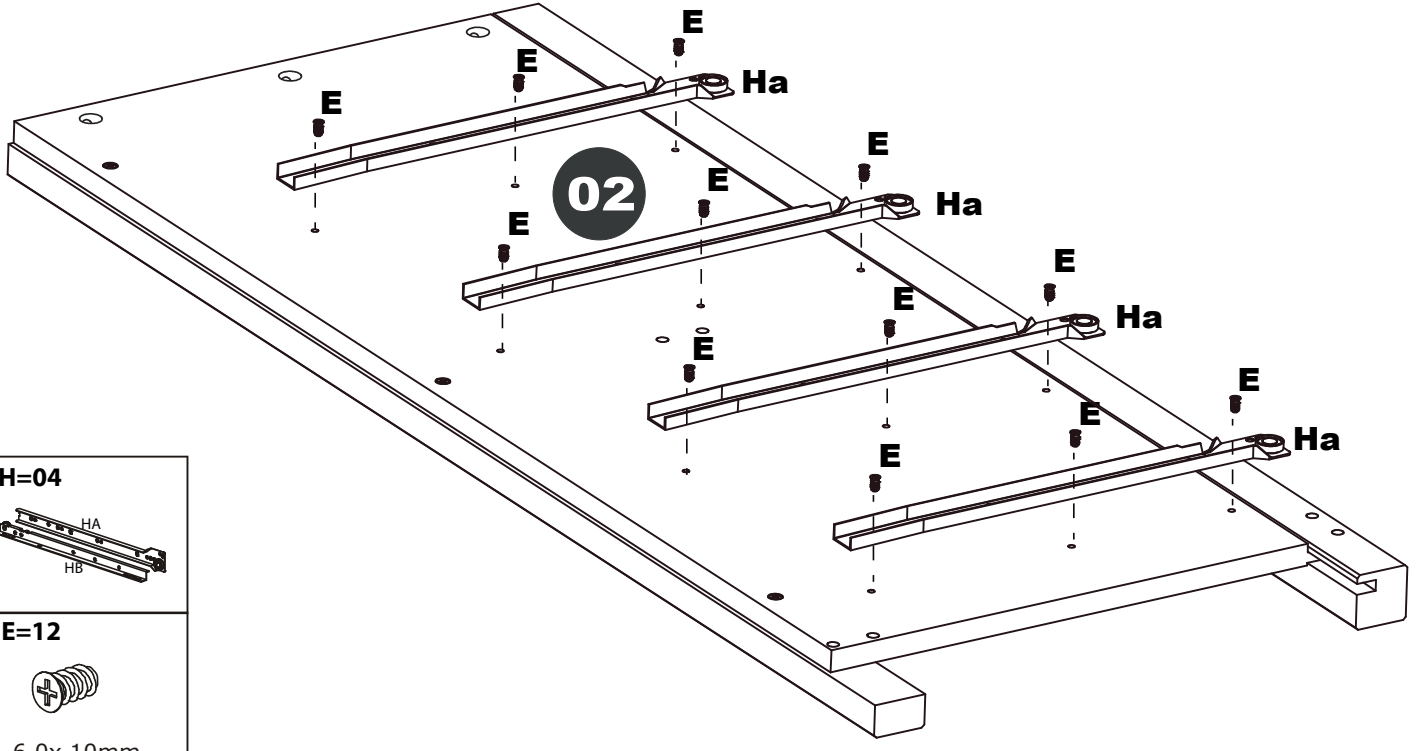
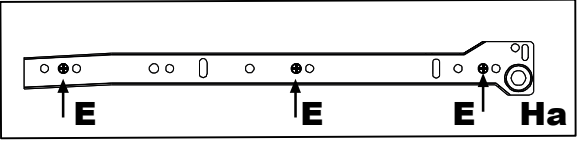


**G=04**

**E=12**

6,0x 10mm

**2**

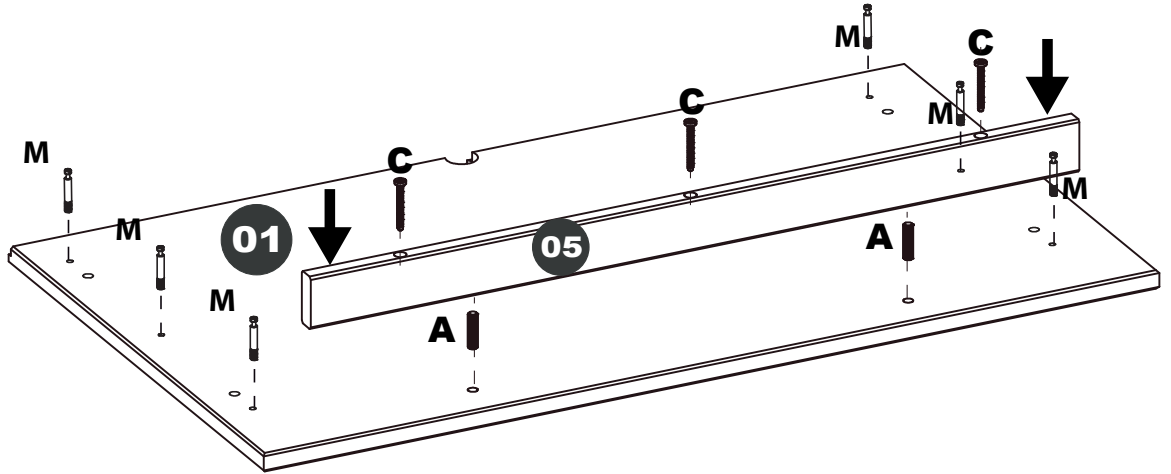
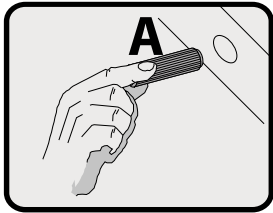
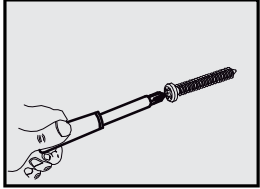
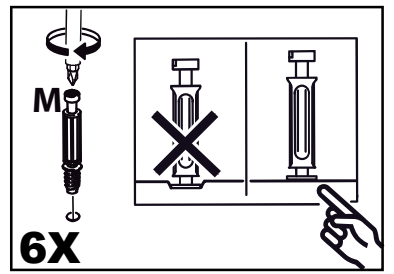


**H=04**

**E=12**

6,0x 10mm

# 3



**A=02**



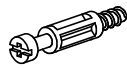
8,0 x 30mm

**C=03**

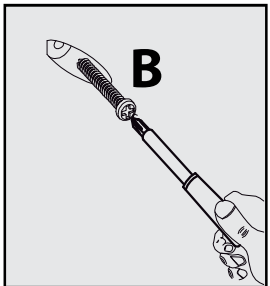
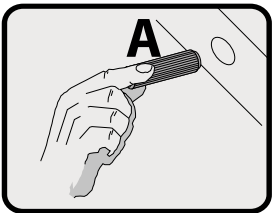


4,0 x 40mm

**M=06**



# 4



**A=06**

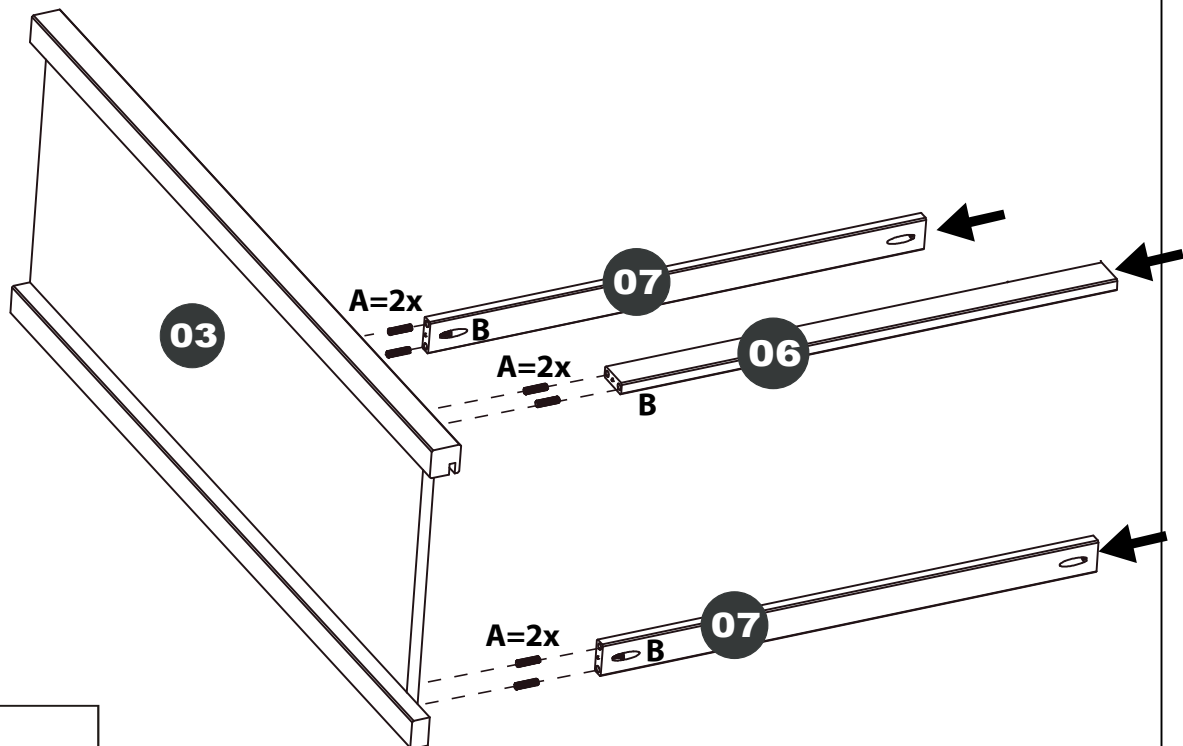


8,0 x 30mm

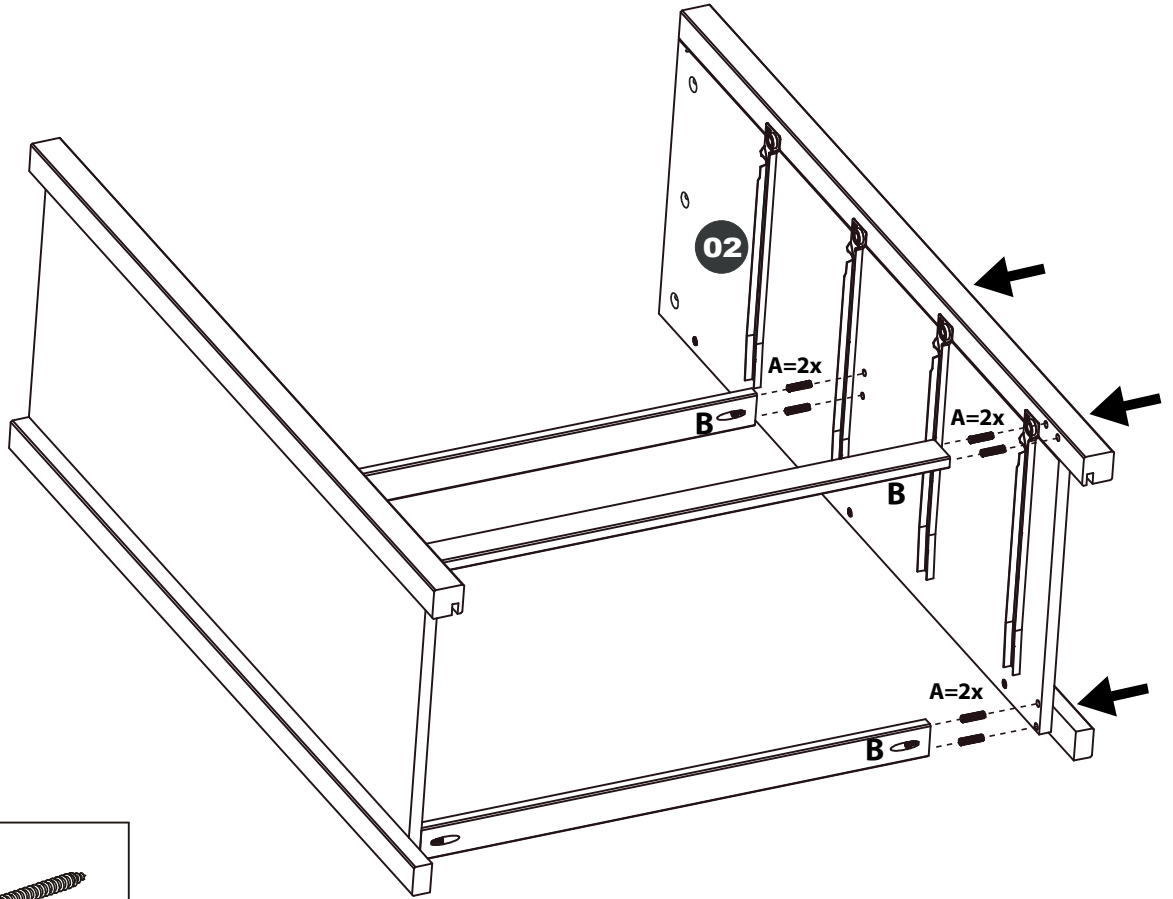
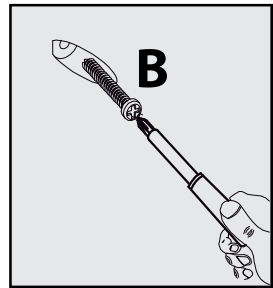
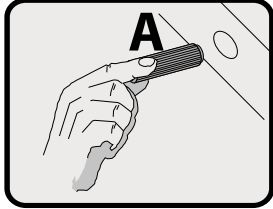
**B=03**



3,5 x 30mm



5



A=06



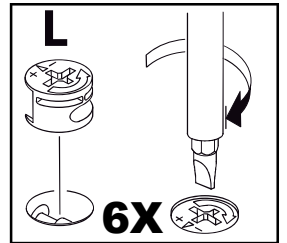
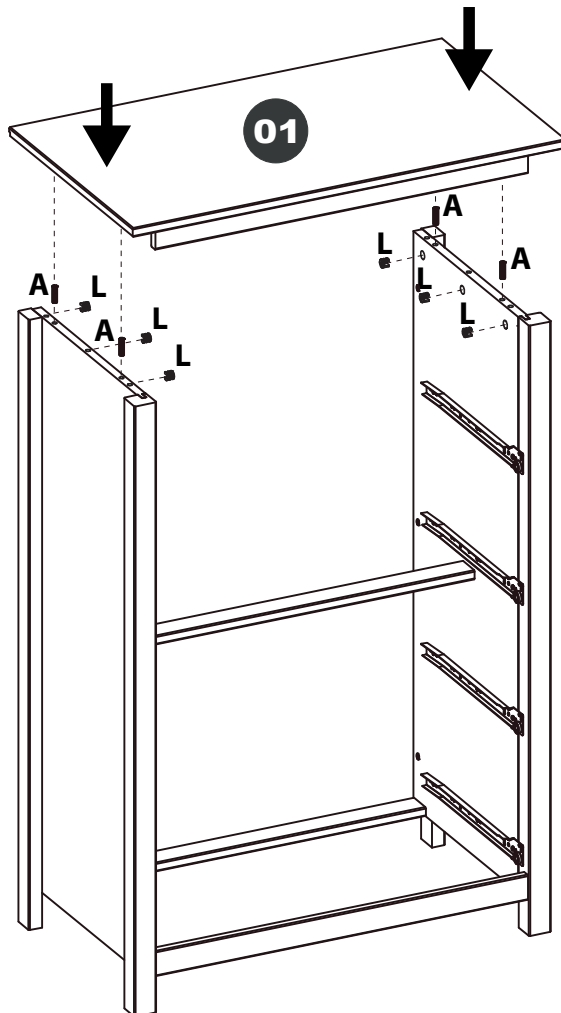
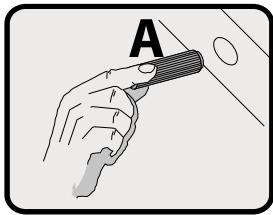
8,0 x 30mm

B=03



3,5 x 30mm

6



A=04



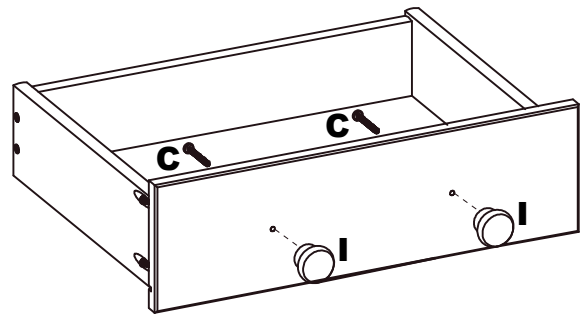
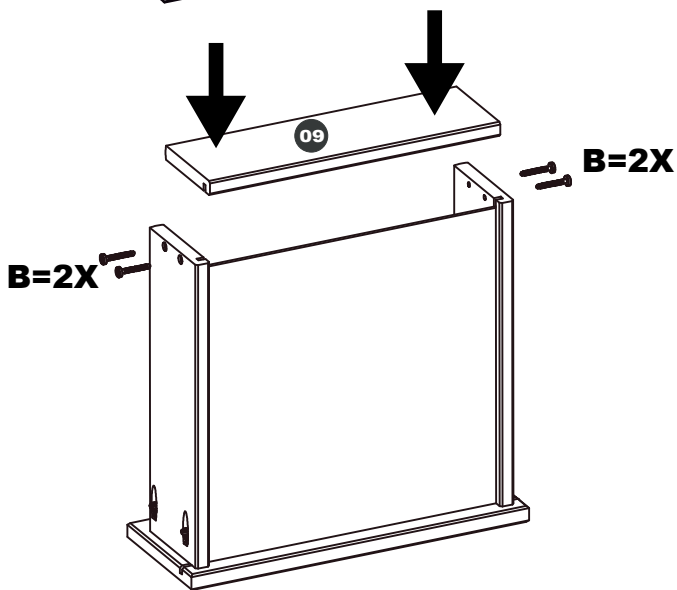
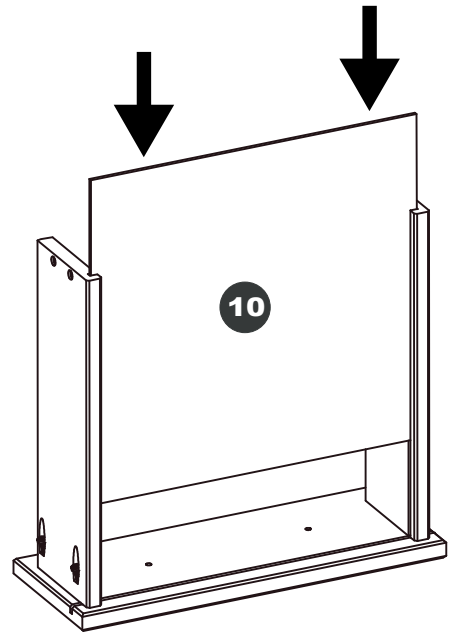
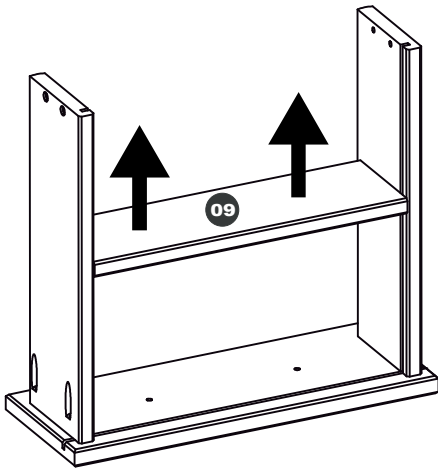
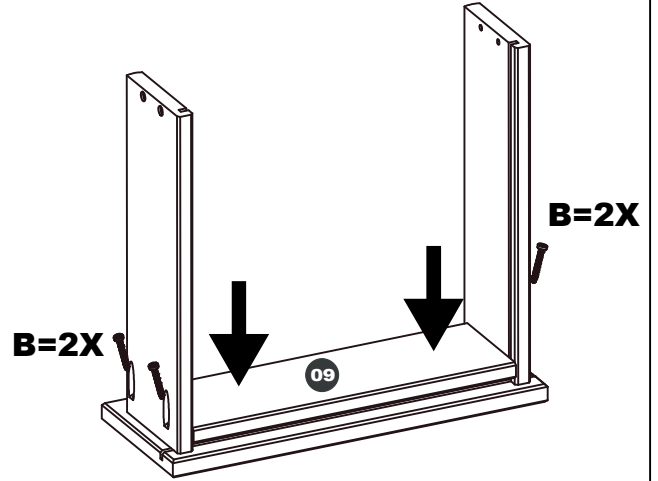
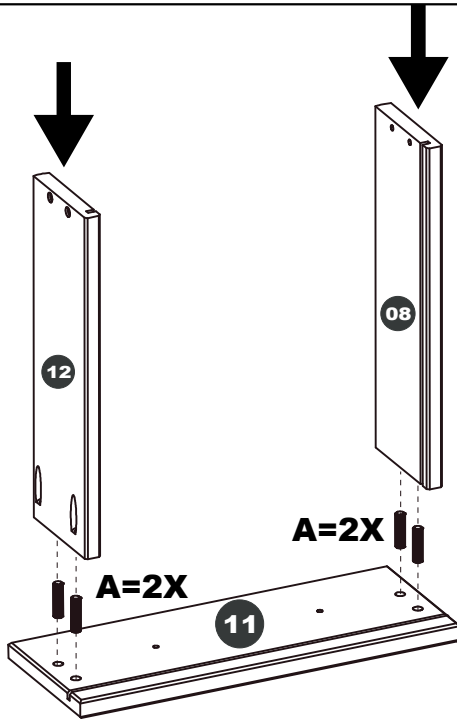
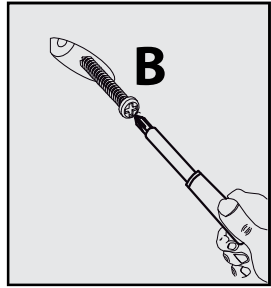
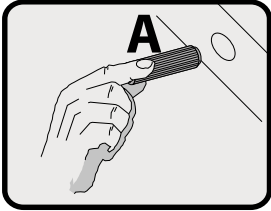
8,0 x 30mm

L=06



7

4X



A=16



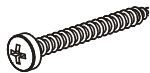
8,0 x 30mm

B=32



3,5 x 30mm

C=08

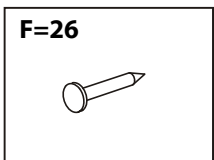
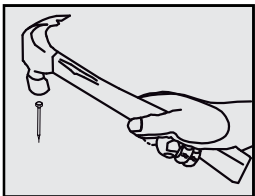
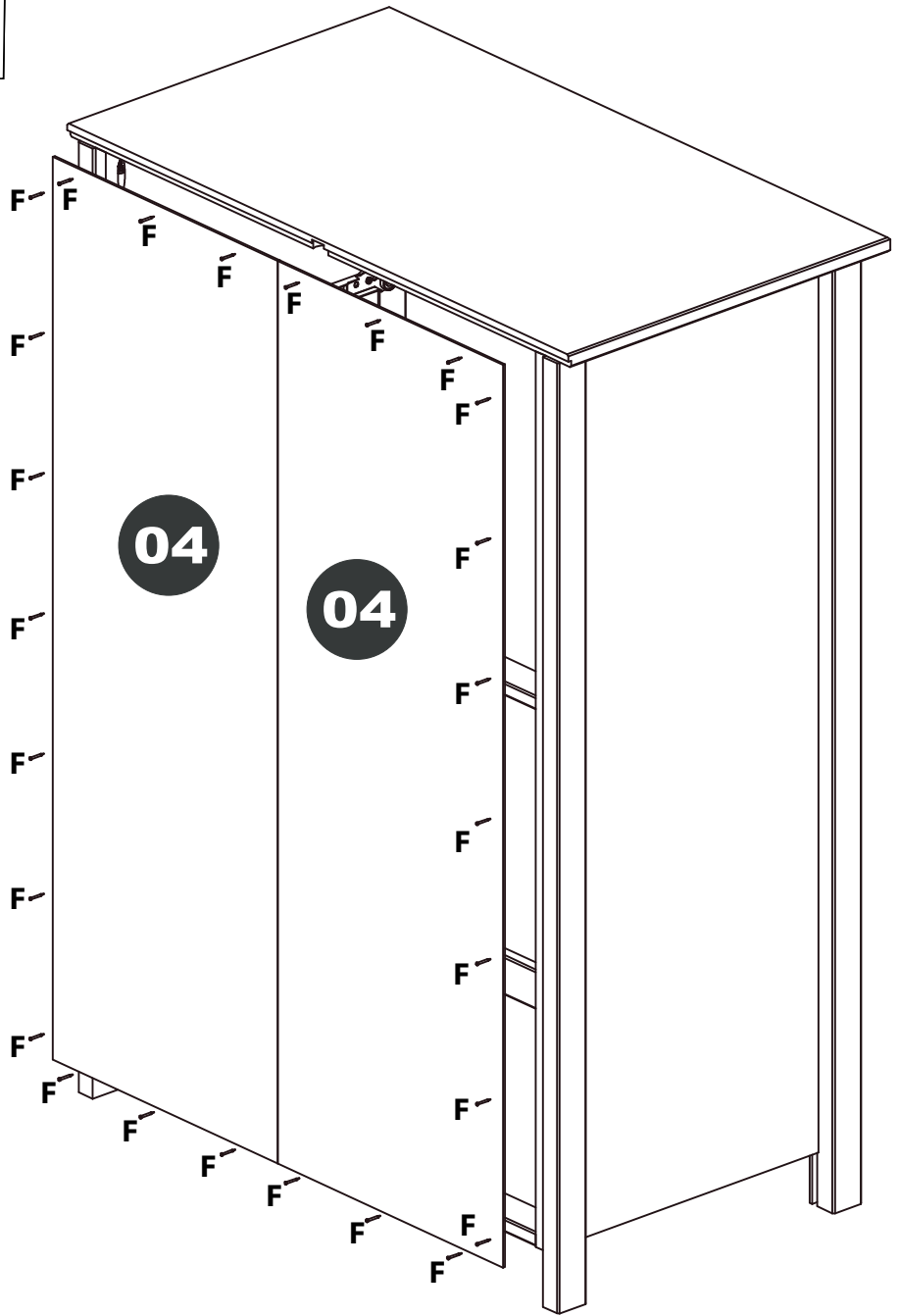
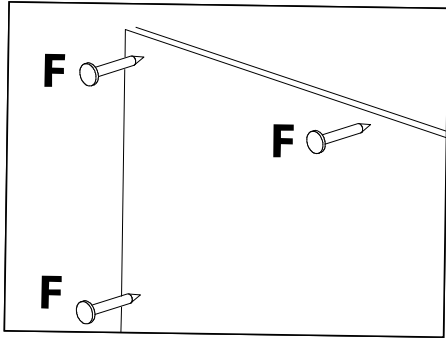


4,0 x 40mm

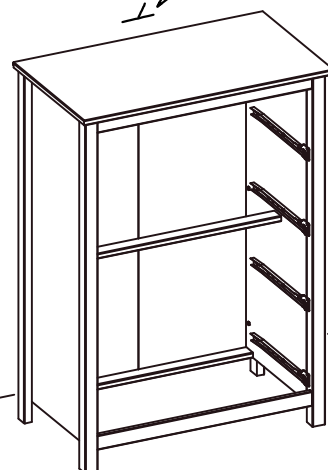
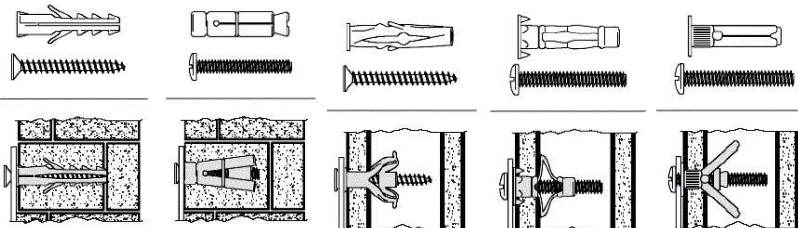
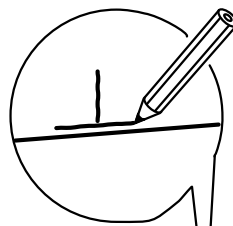
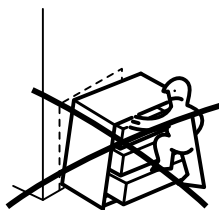
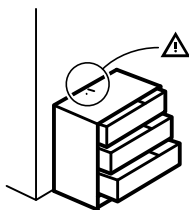
I=08



# 8



9

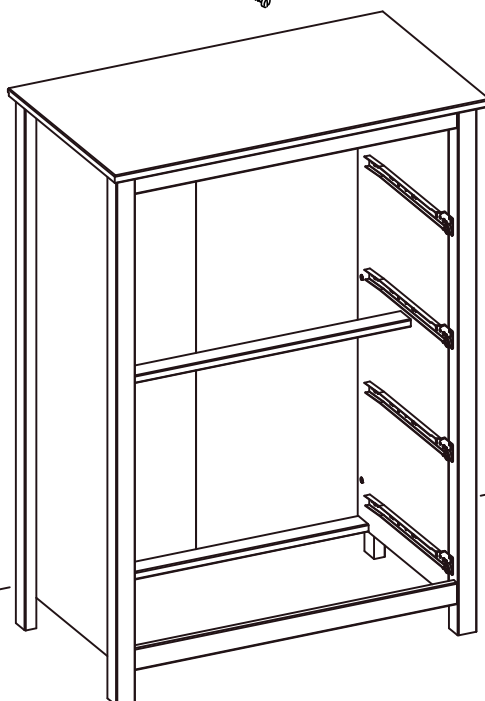
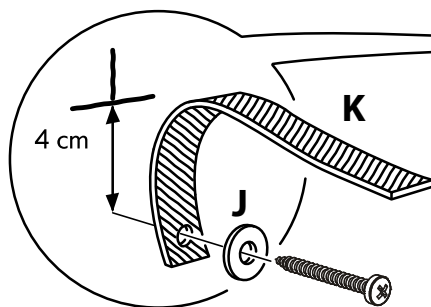


10

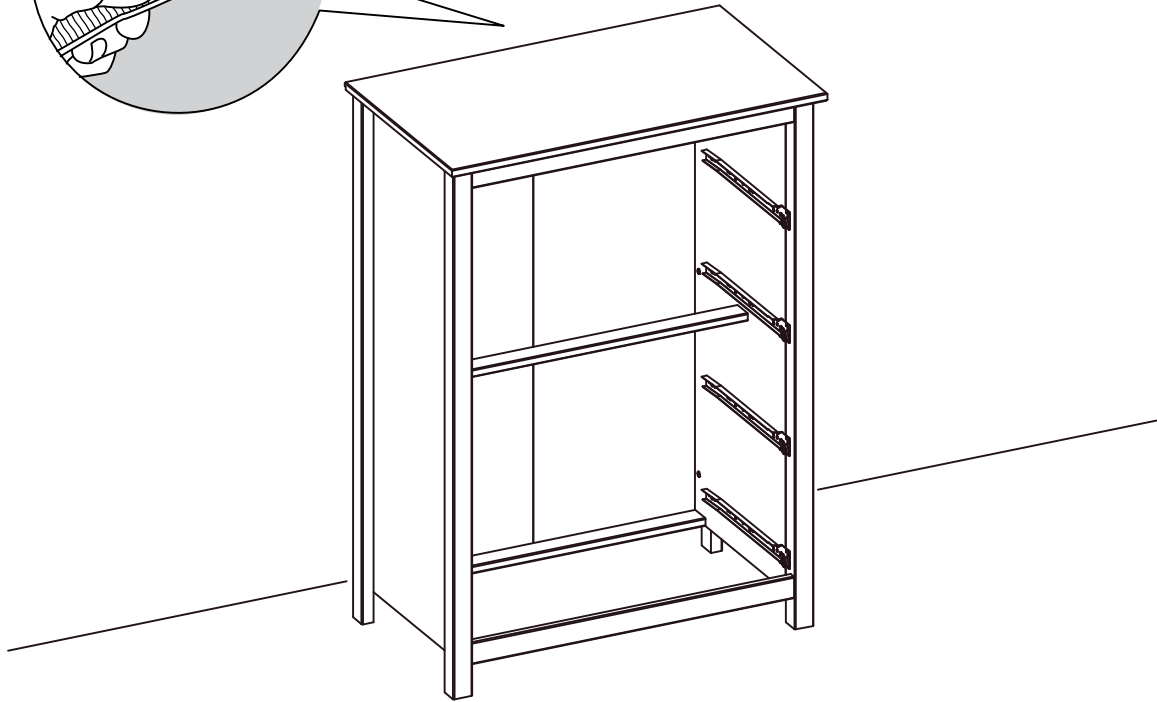
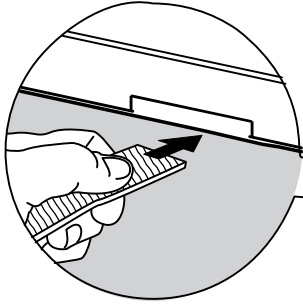
K=01



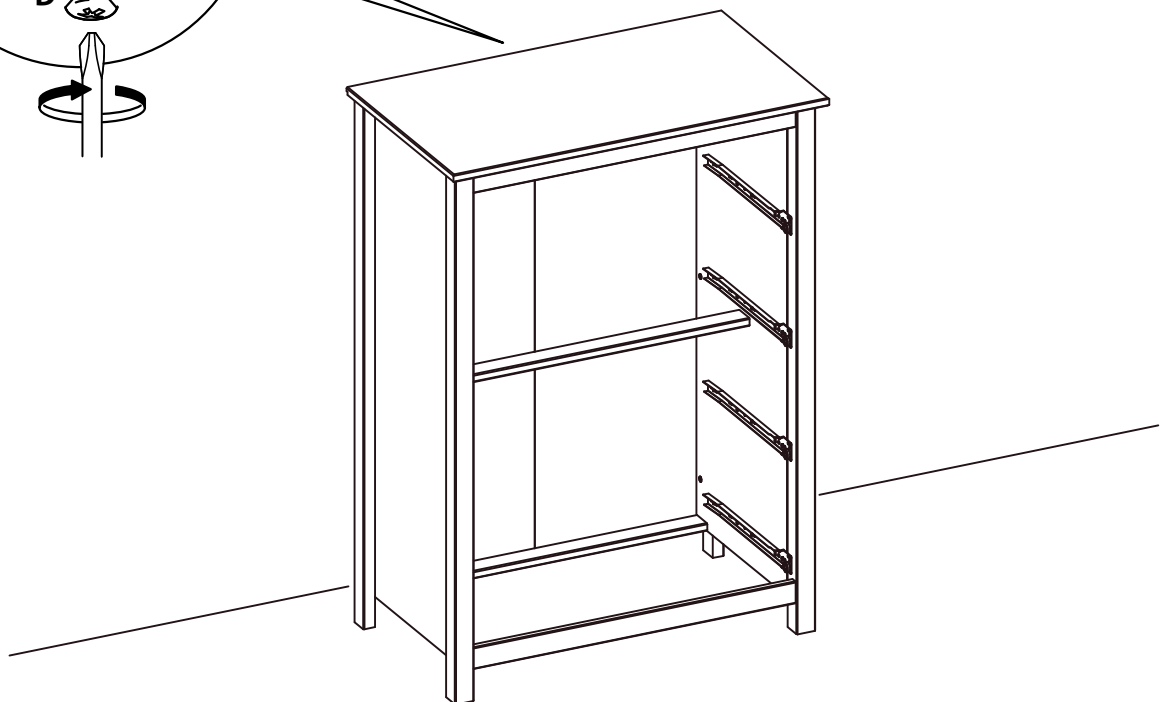
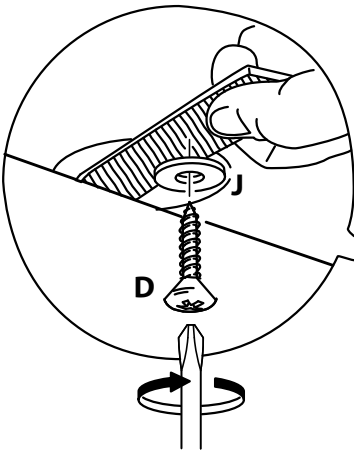
J=01



**11**



**12**



J=01



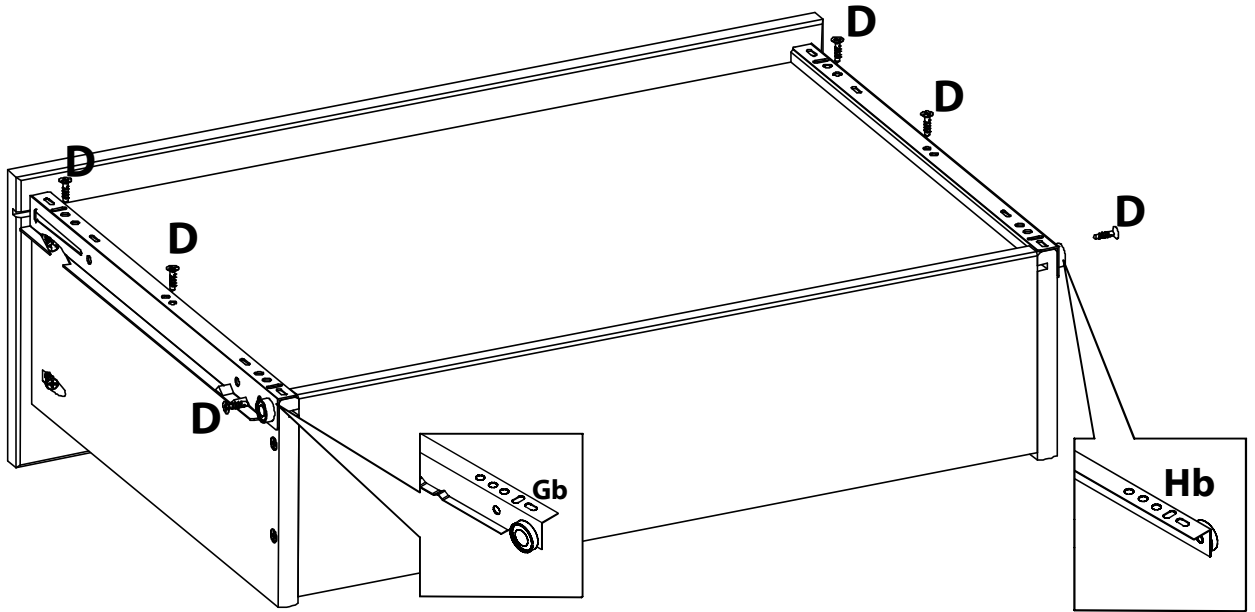
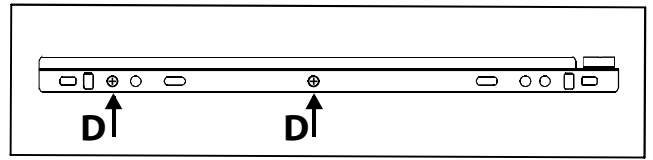
D=01



3,0x 16mm

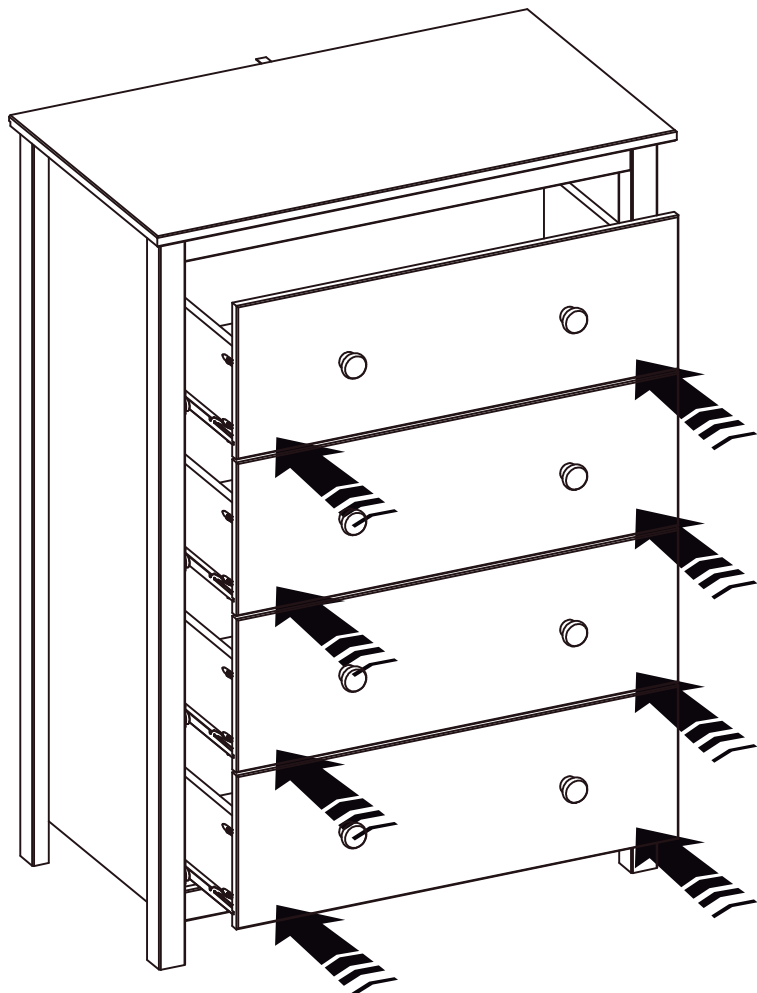
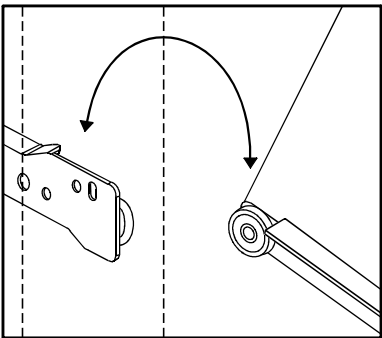
# 13

# 4X



<b>D=24</b>  3,0x 16mm	<b>G=04</b>  GA GB	<b>H=04</b>  HA HB
------------------------------	-----------------------------	-----------------------------

# 14



16.04.2021 - Rev. 2