




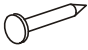
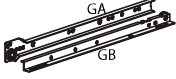
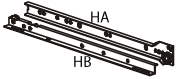








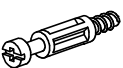
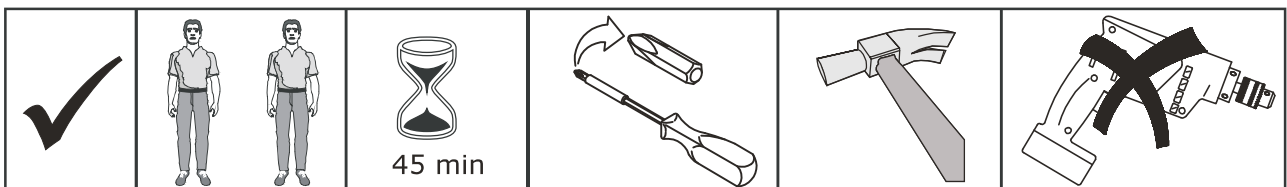
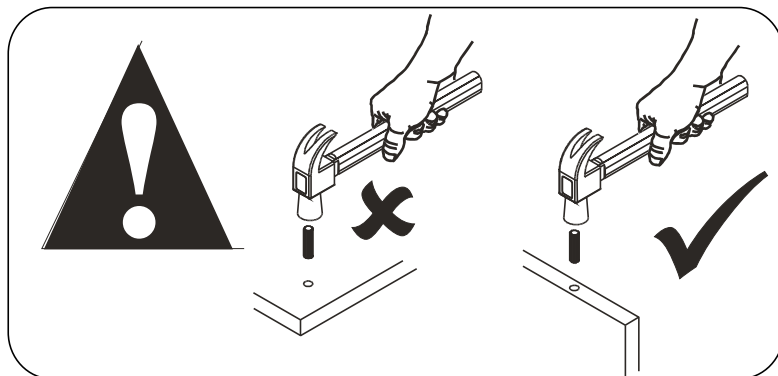
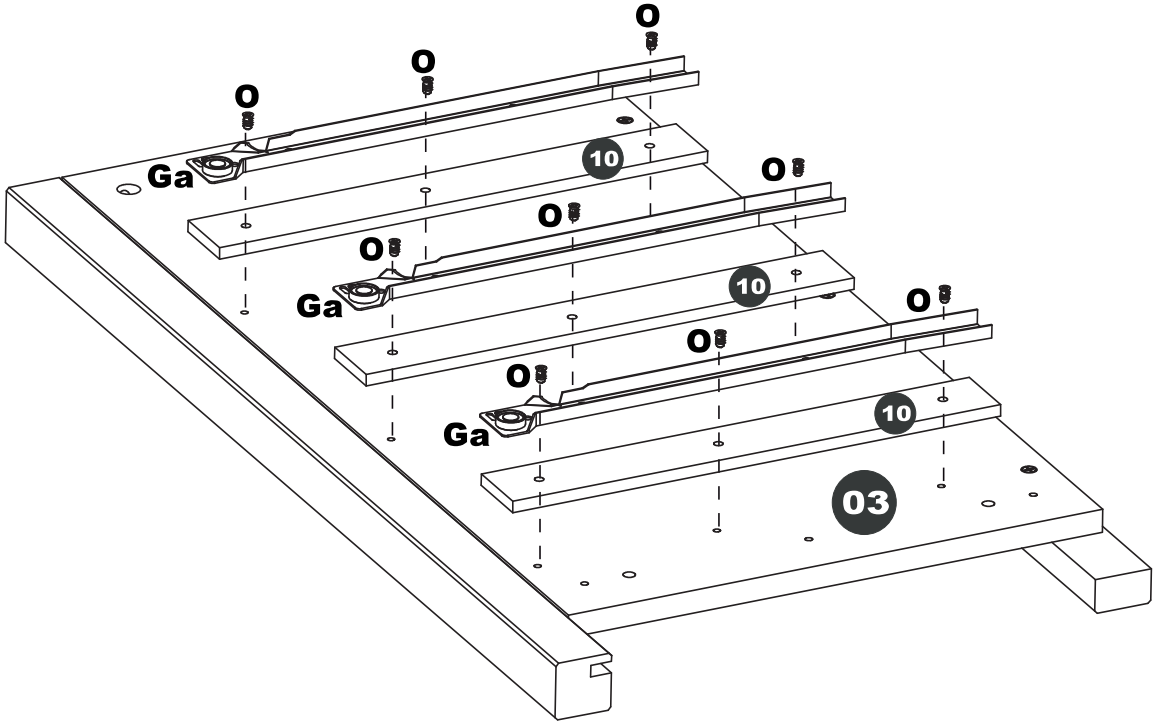
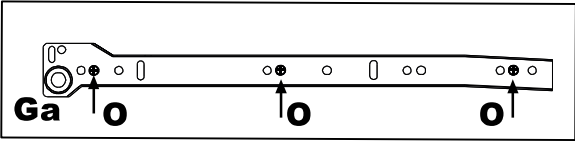


**6x**

<b>A=40</b>  8,0 x 30mm	<b>B=48</b>  3,5 x 30mm	<b>C=09</b>  4,0 x 40mm	<b>D=42</b>  3,0x 16mm	<b>E=18</b>  6,0x 10mm
<b>F=26</b> 	<b>G=06</b>  350mm	<b>H=06</b>  350mm	<b>I=06</b> 	<b>J=04</b> 
<b>K=02</b> 	<b>L=03</b>  4,0 x 40mm	<b>M=03</b> 	<b>N=02</b> 	<b>O=18</b>  6,0x 20mm
<b>P=14</b> 	<b>Q=14</b> 			



**1**



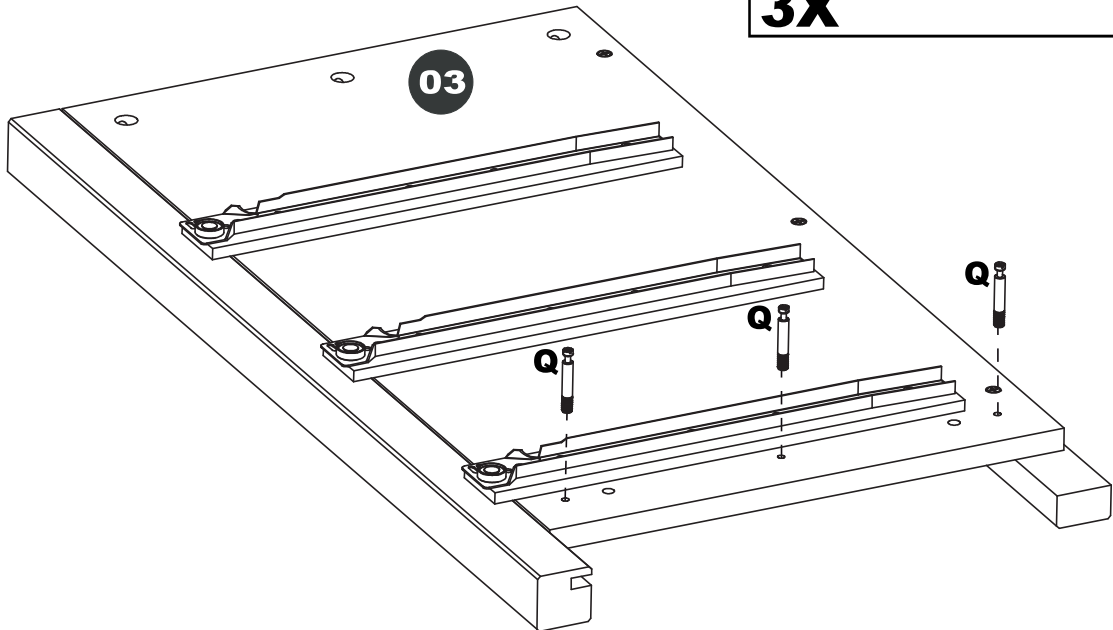
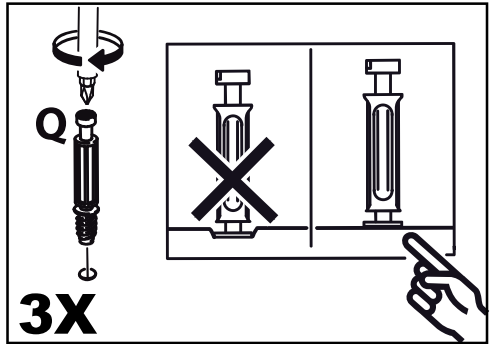
**G=03**

**O=09**

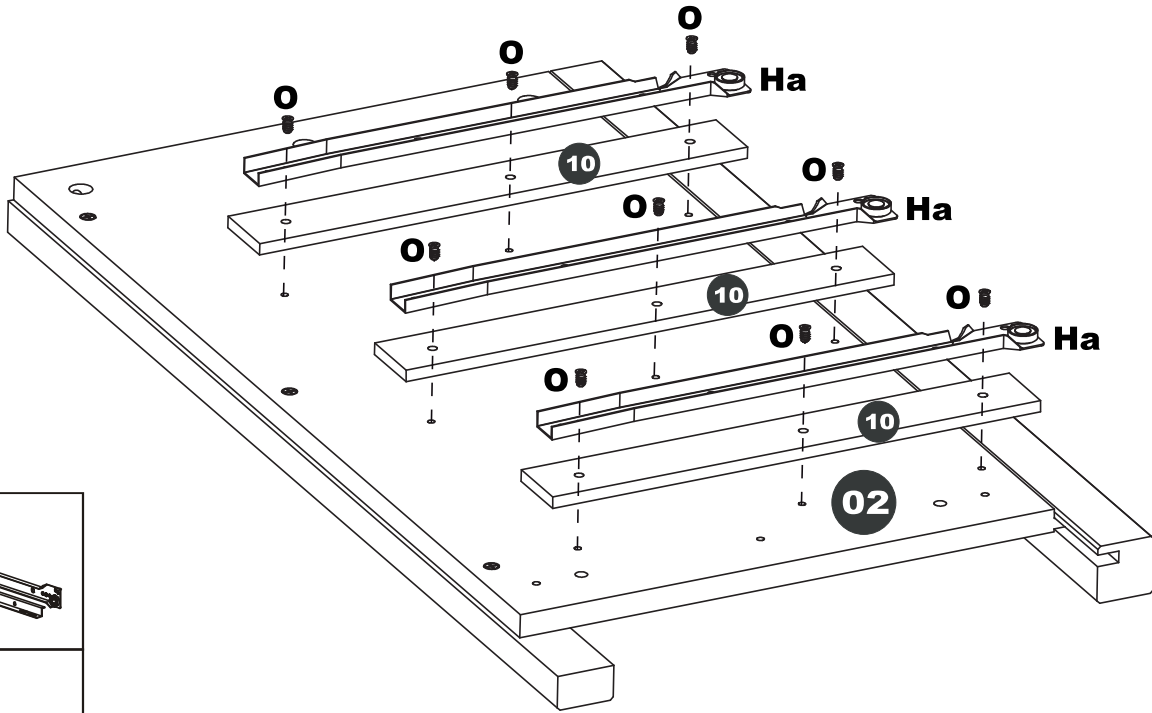
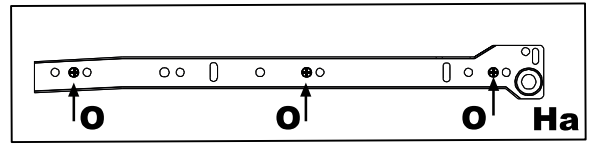
6,0x 20mm

**2**

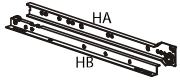
**Q=03**



**3**



**H=03**



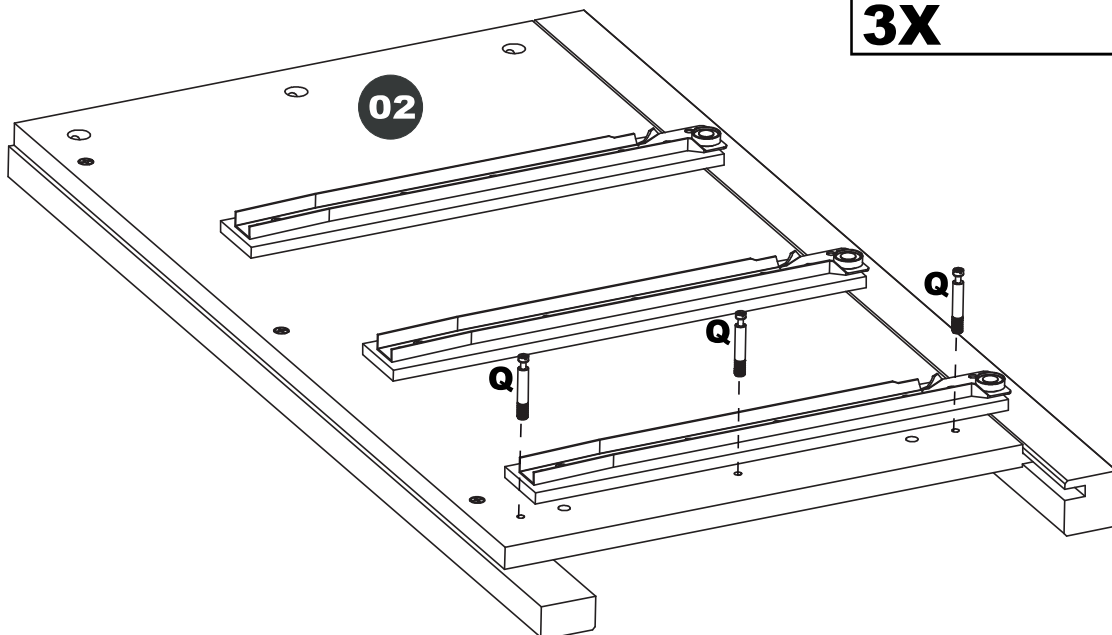
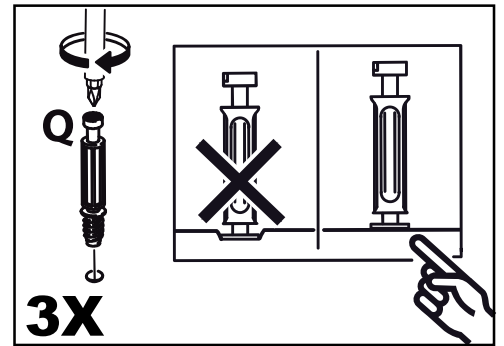
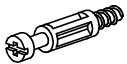
**O=09**



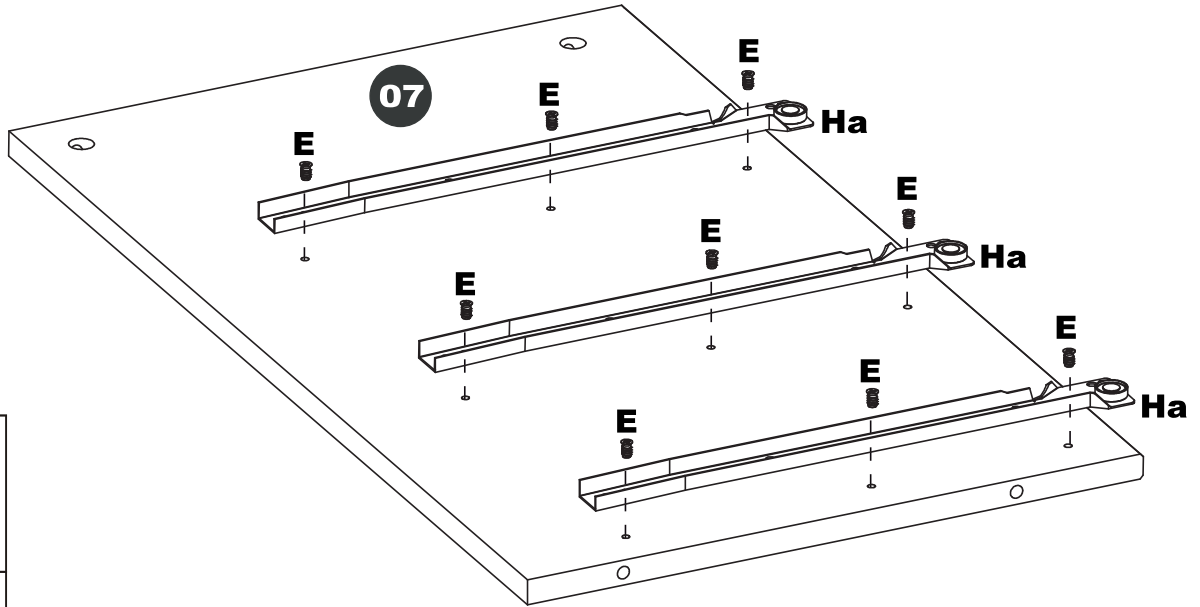
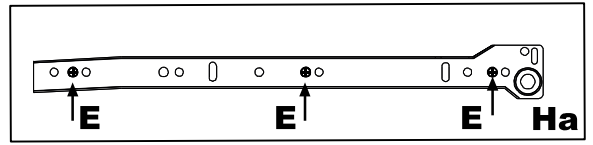
6,0x 20mm

**4**

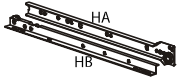
**Q=03**



**5**



**H=03**

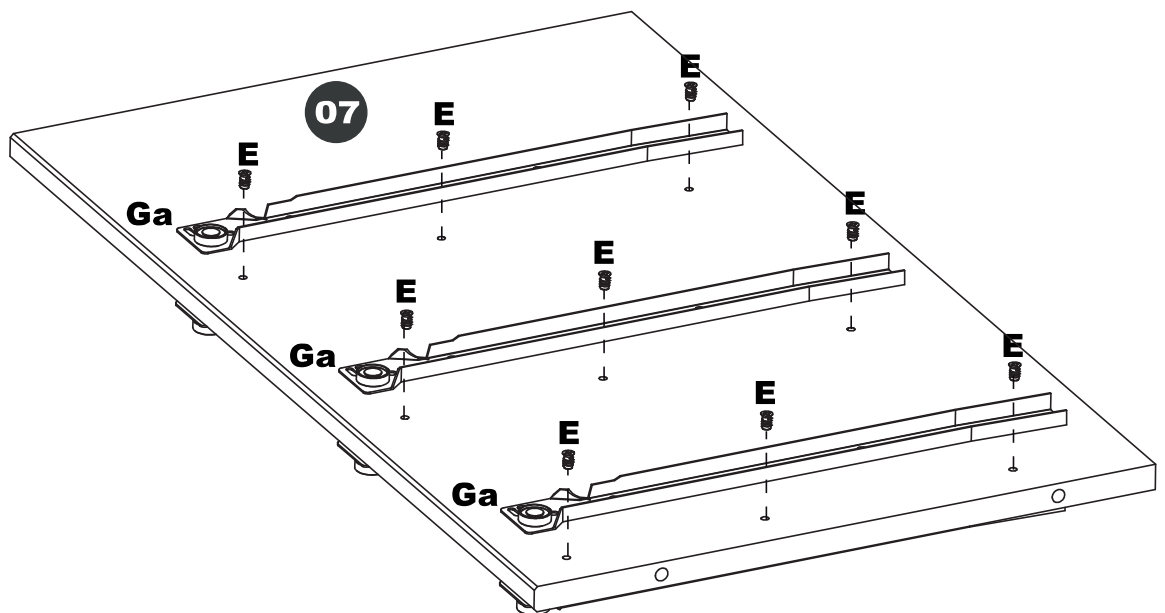
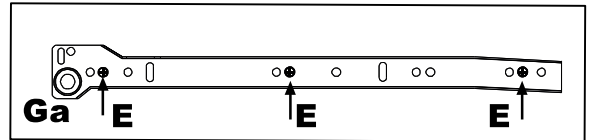


**E=09**

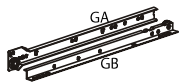


6,0x 10mm

**6**



**G=03**

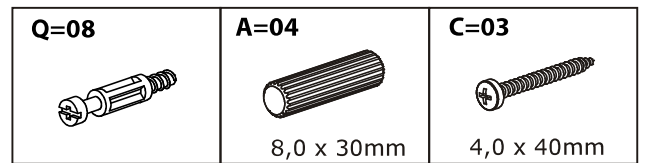
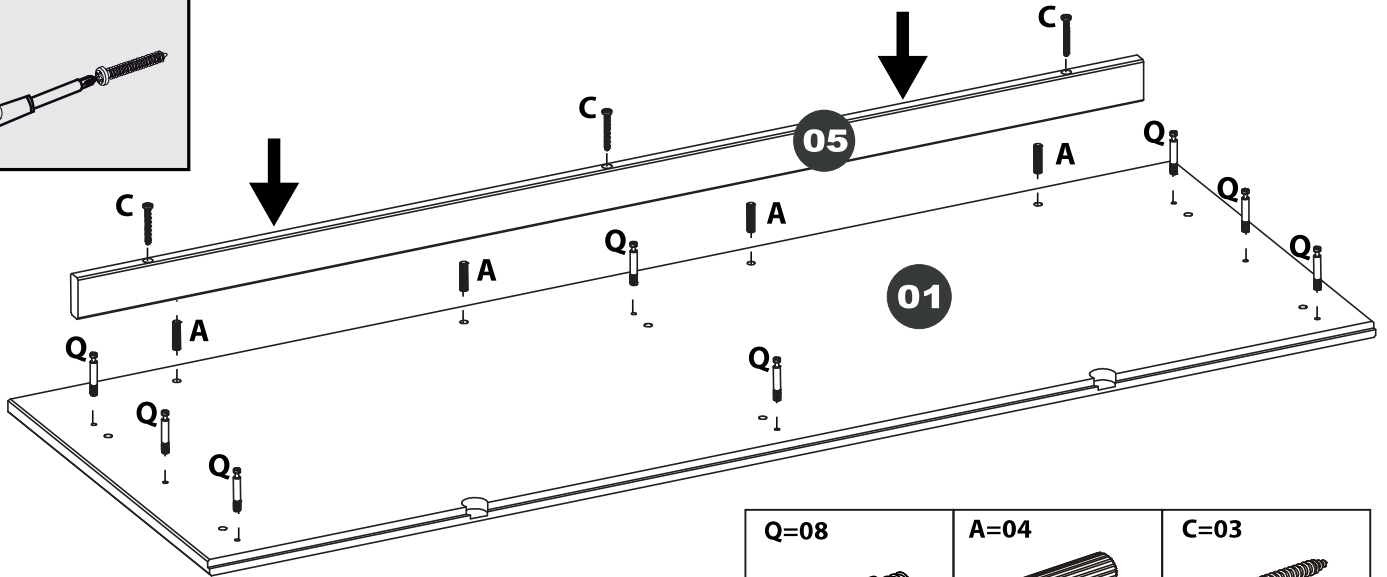
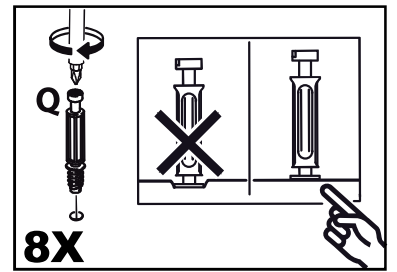
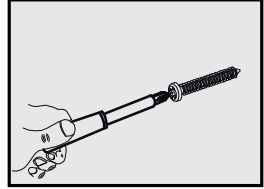
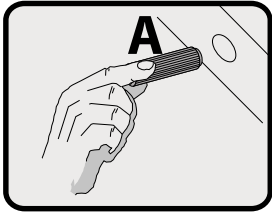


**E=09**

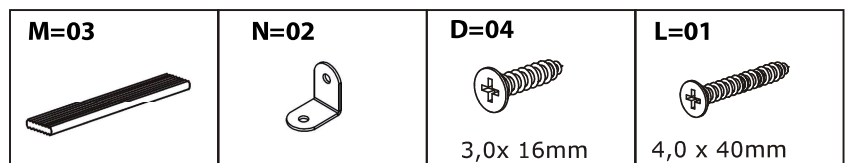
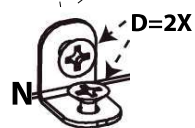
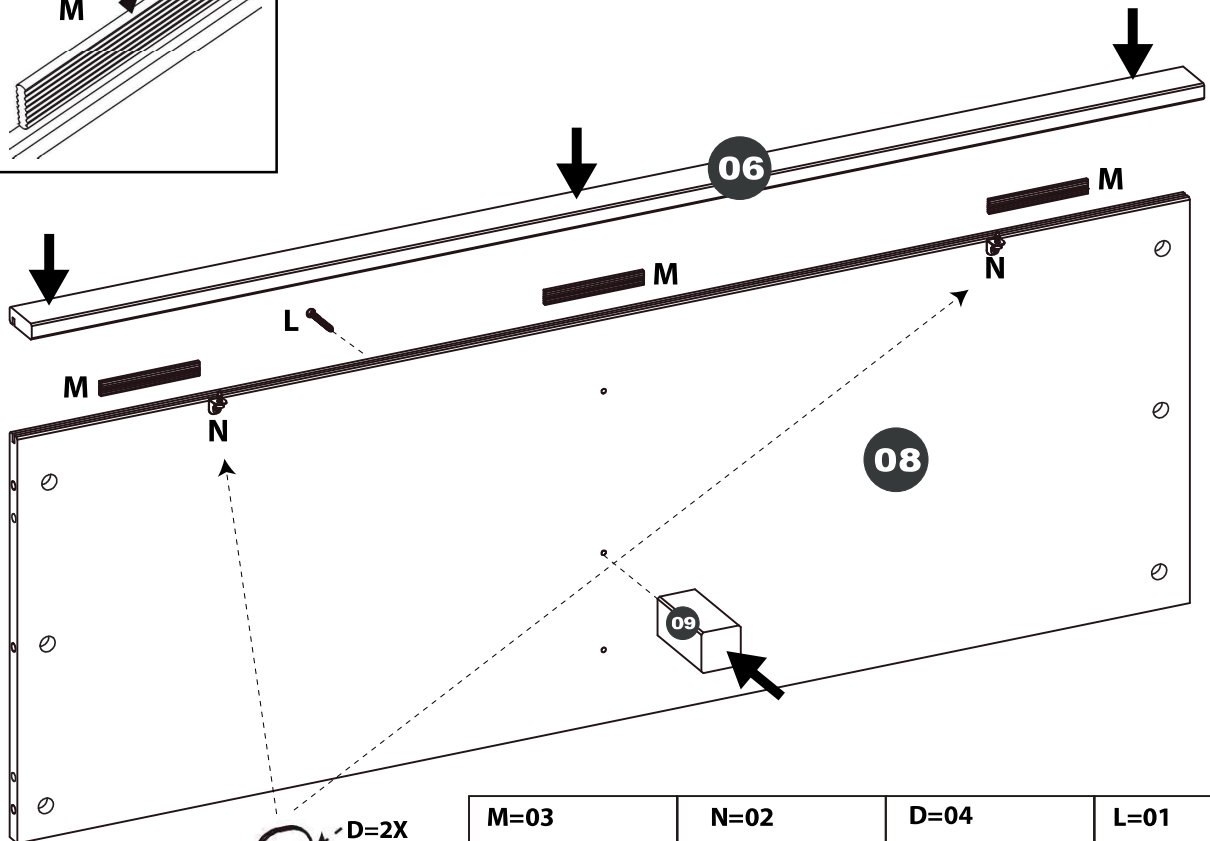
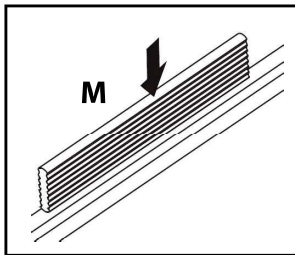


6,0x 10mm

7

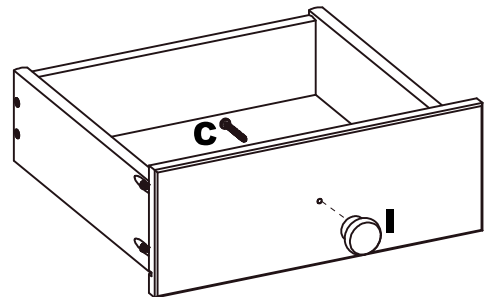
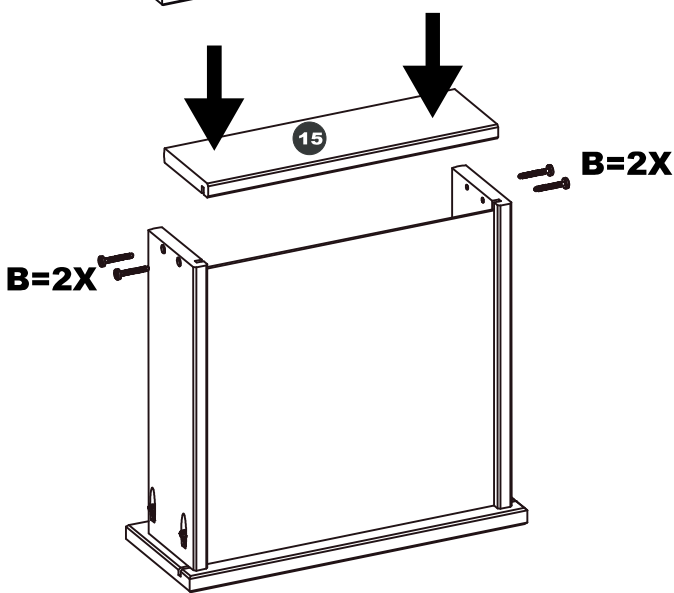
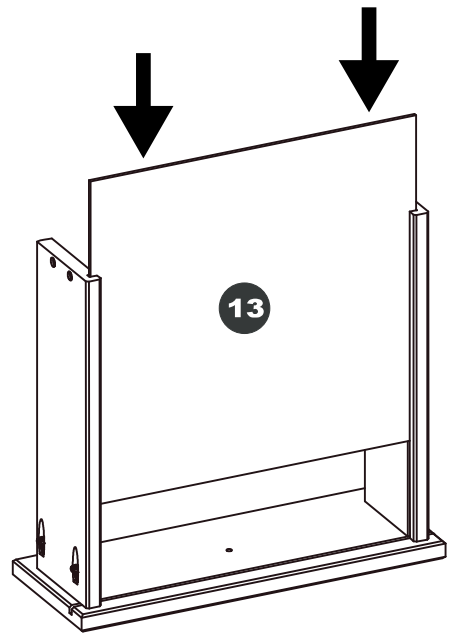
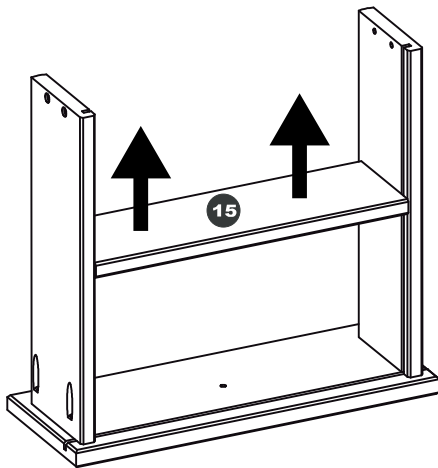
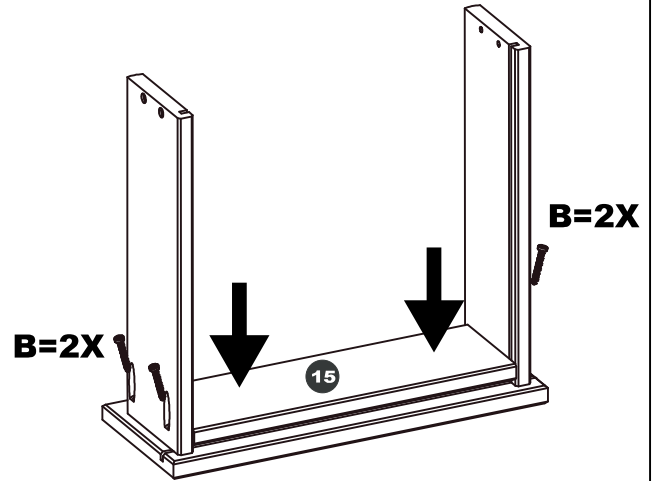
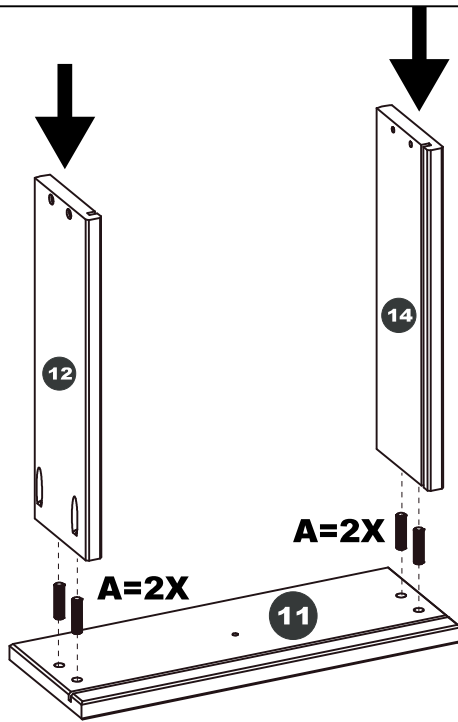
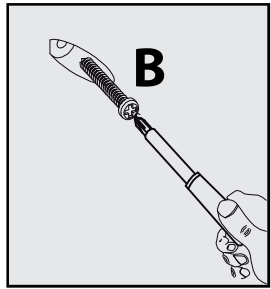
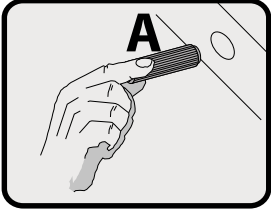


8



9

6X



A=24



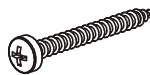
8,0 x 30mm

B=48



3,5 x 30mm

C=06

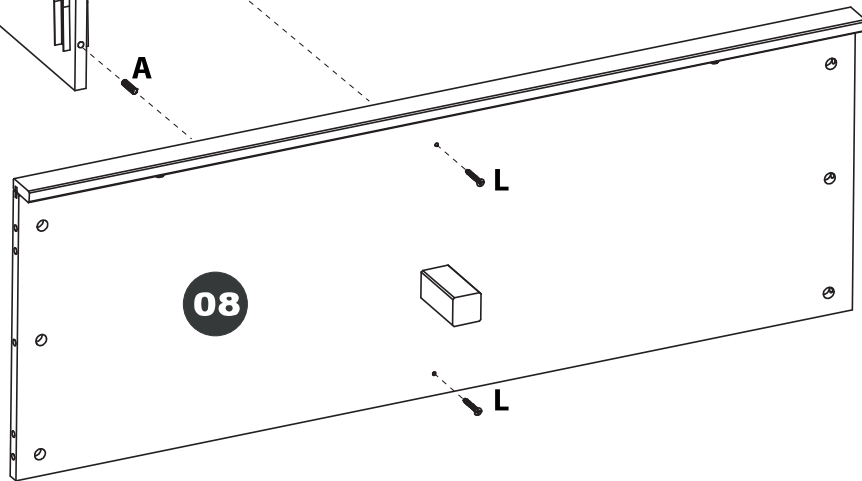
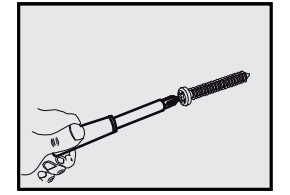
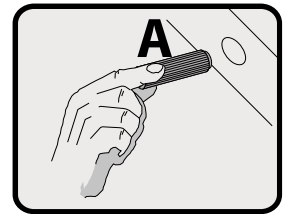
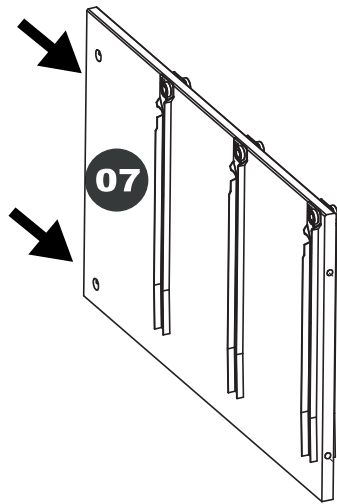


4,0 x 40mm

I=06



**10**



**L=02**



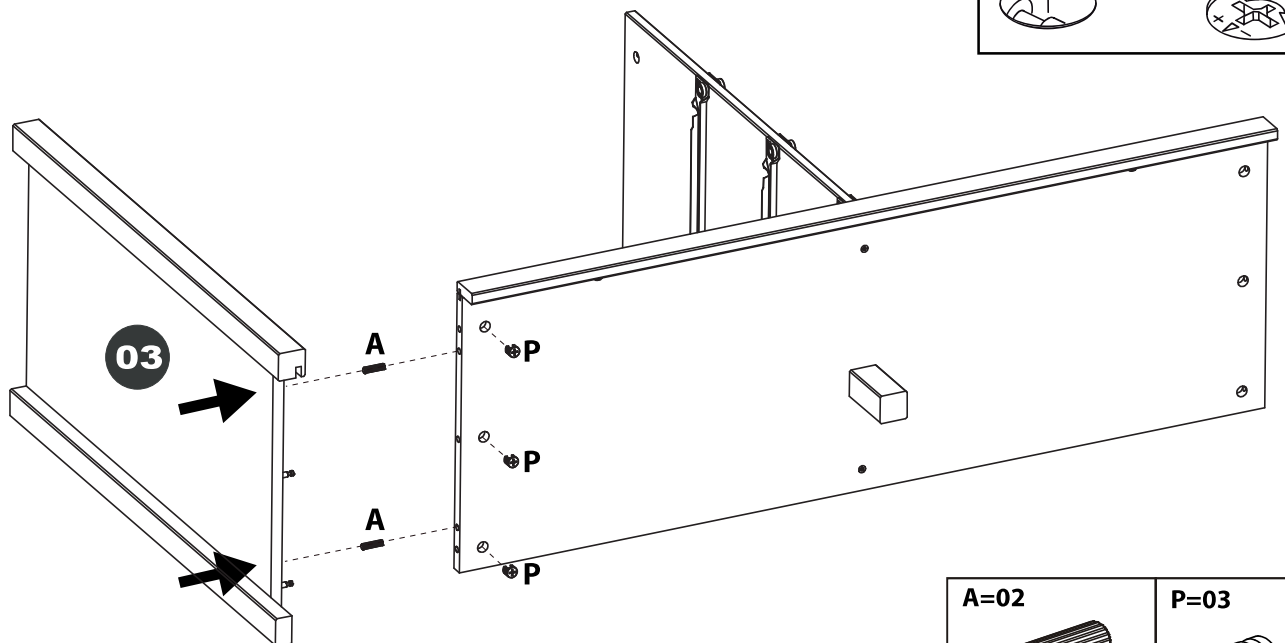
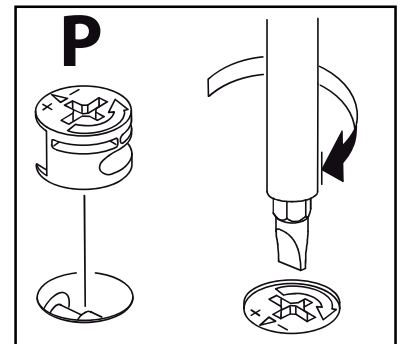
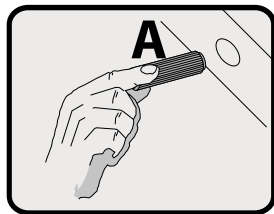
4,0 x 40mm

**A=02**



8,0 x 30mm

**11**



**A=02**

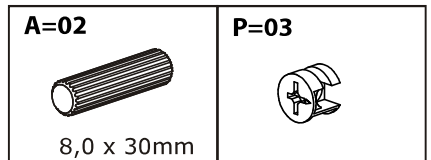
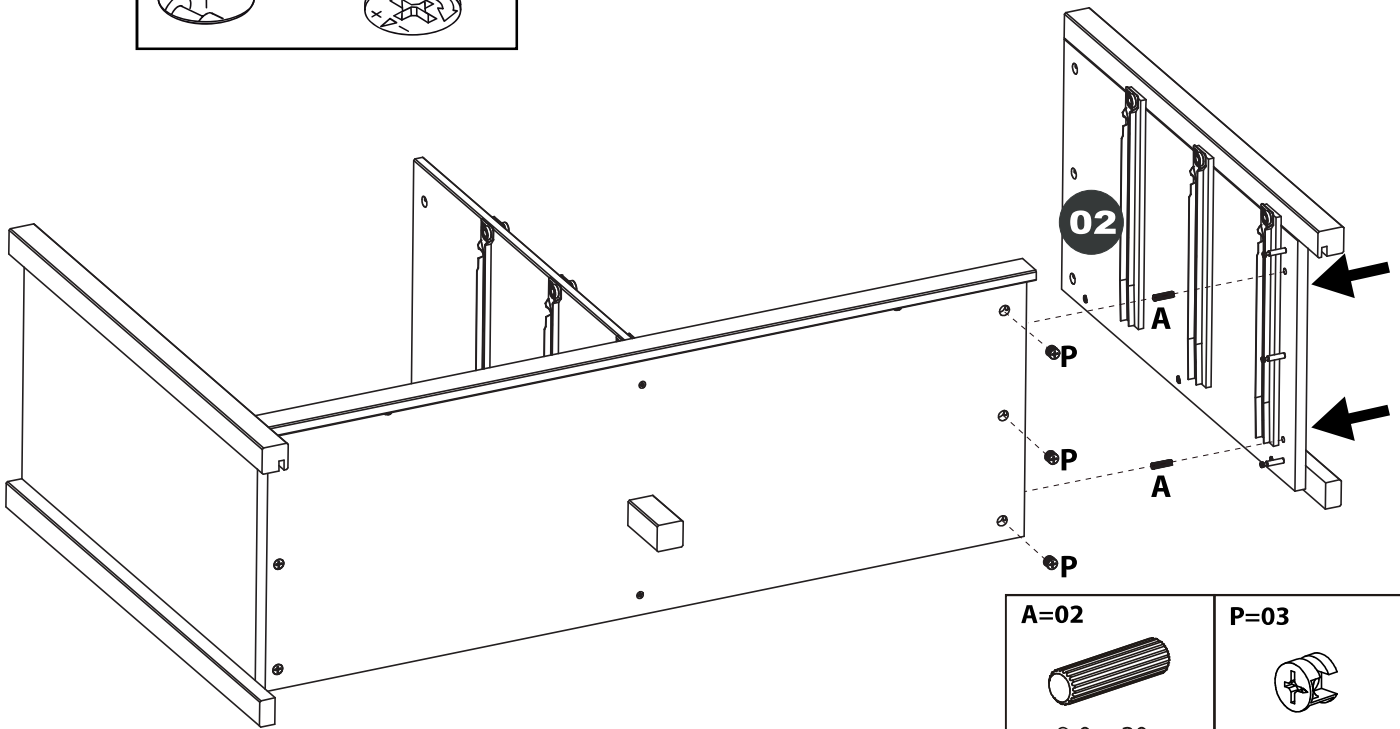
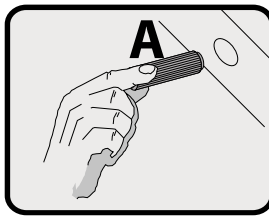
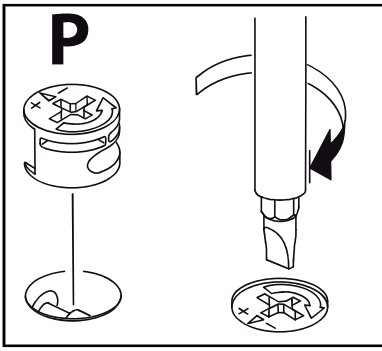


8,0 x 30mm

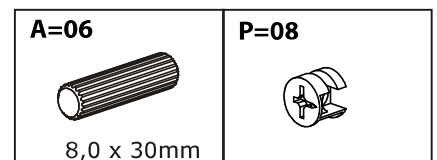
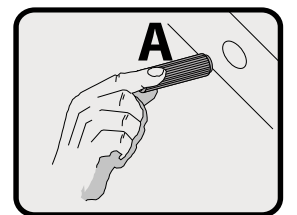
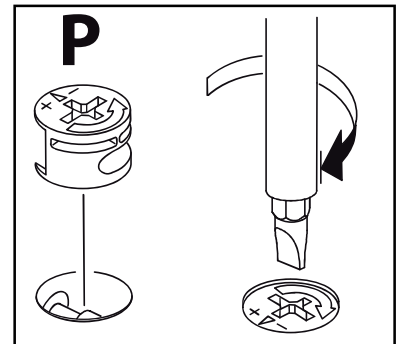
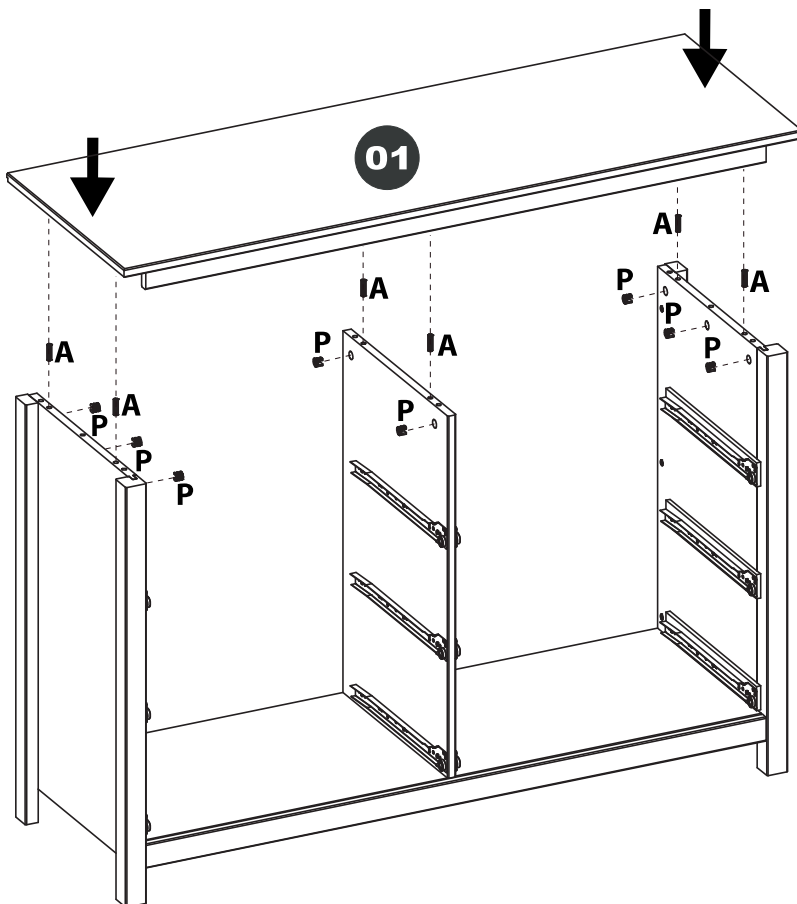
**P=03**



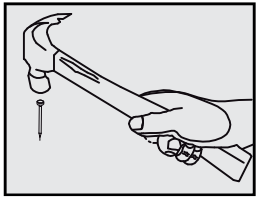
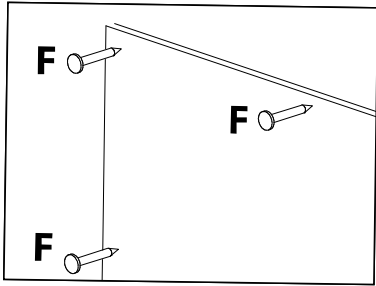
# 12



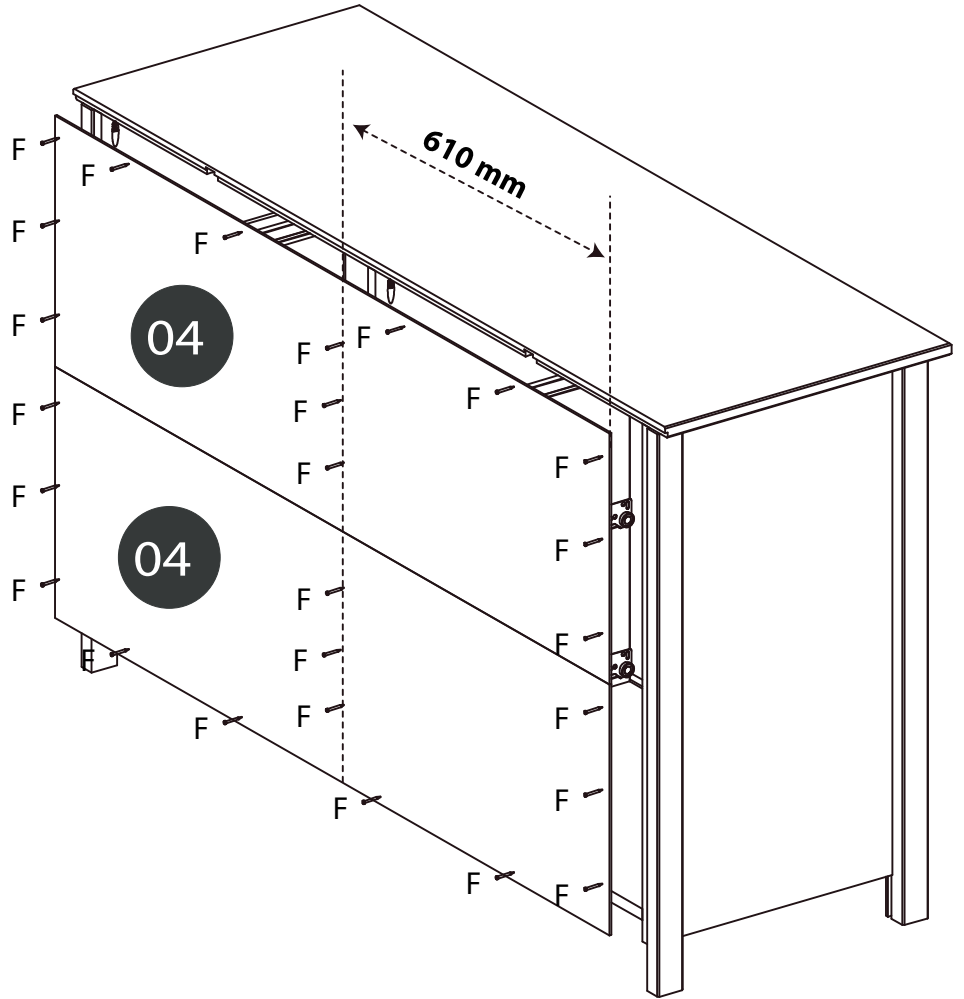
# 13



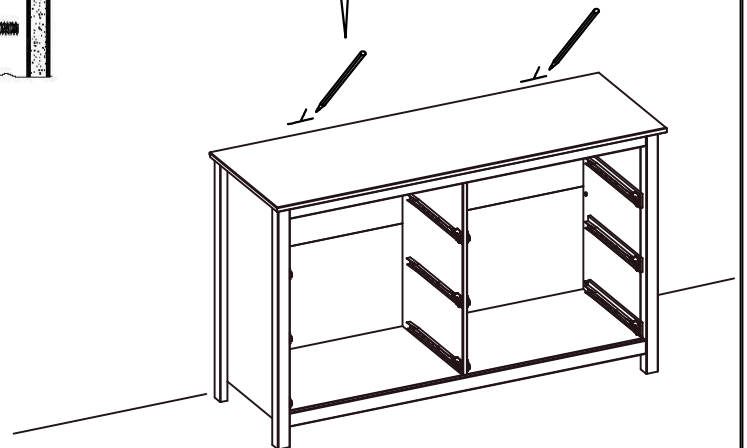
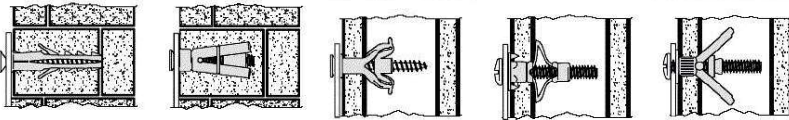
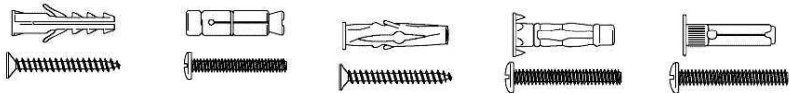
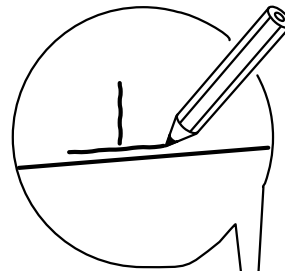
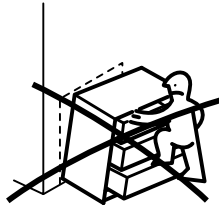
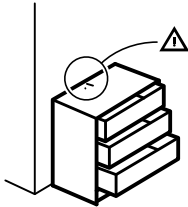
14



F=26



15

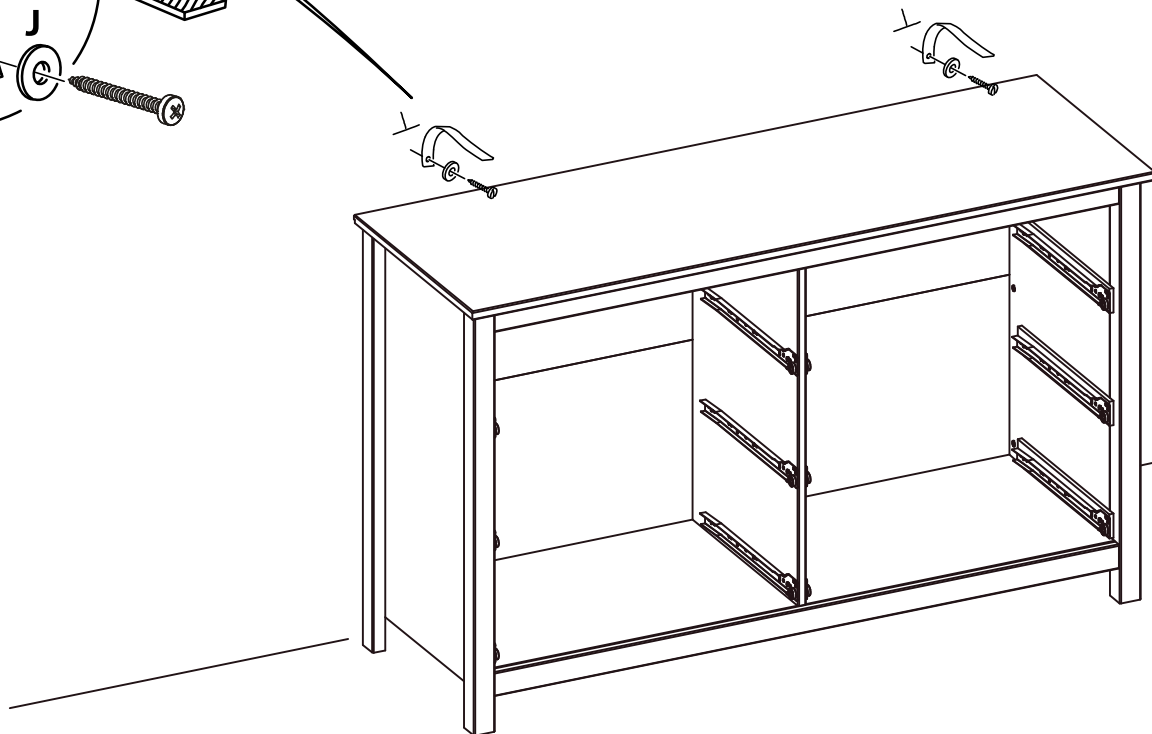
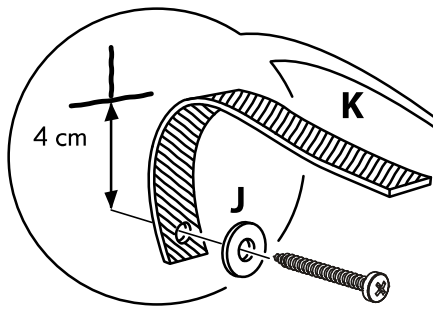


# 16

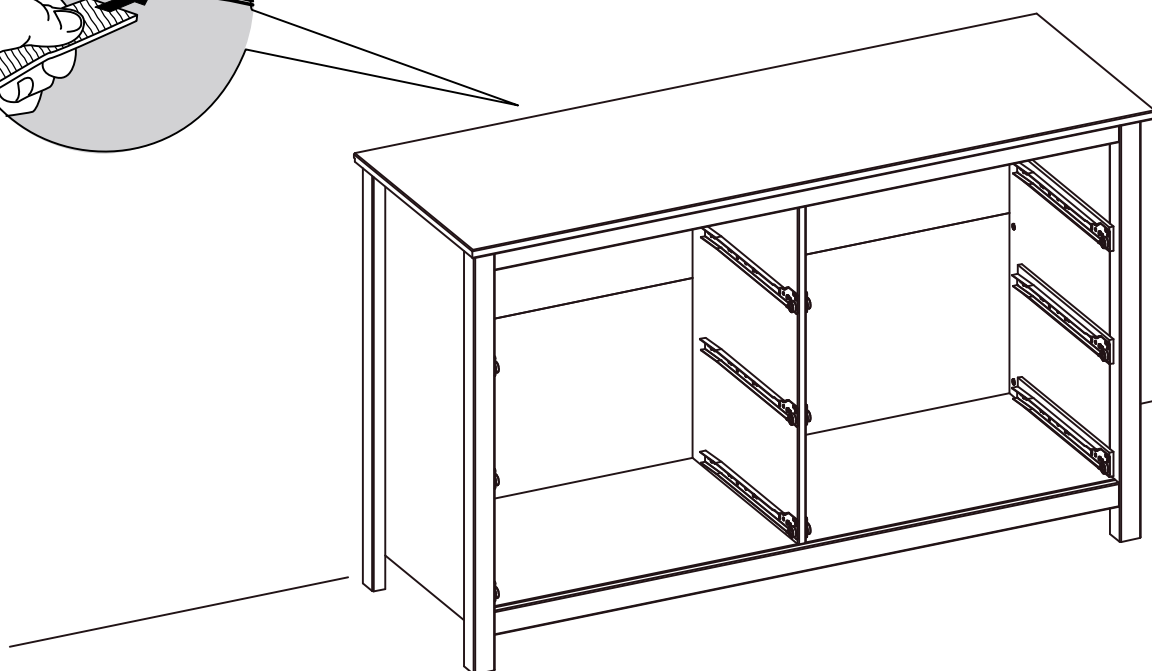
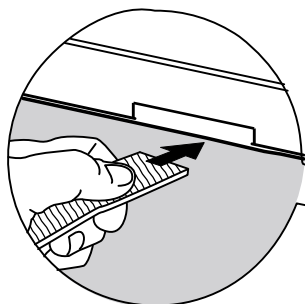
K=02



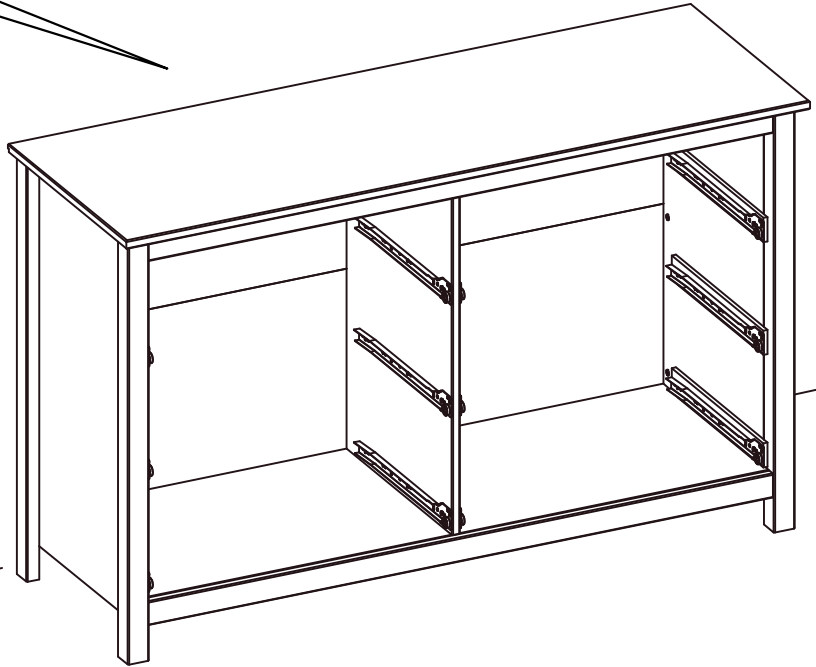
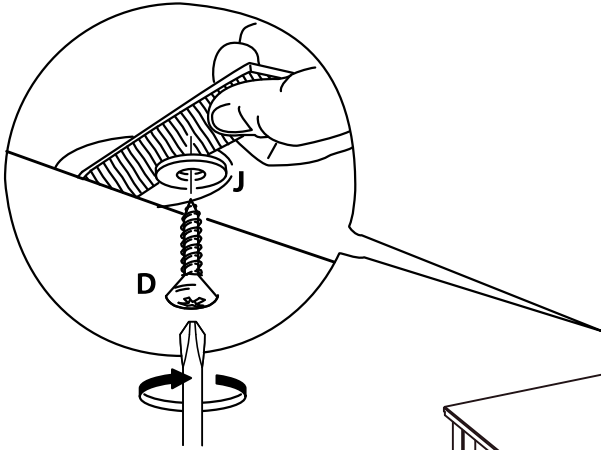
J=02



# 17



# 18



J=02



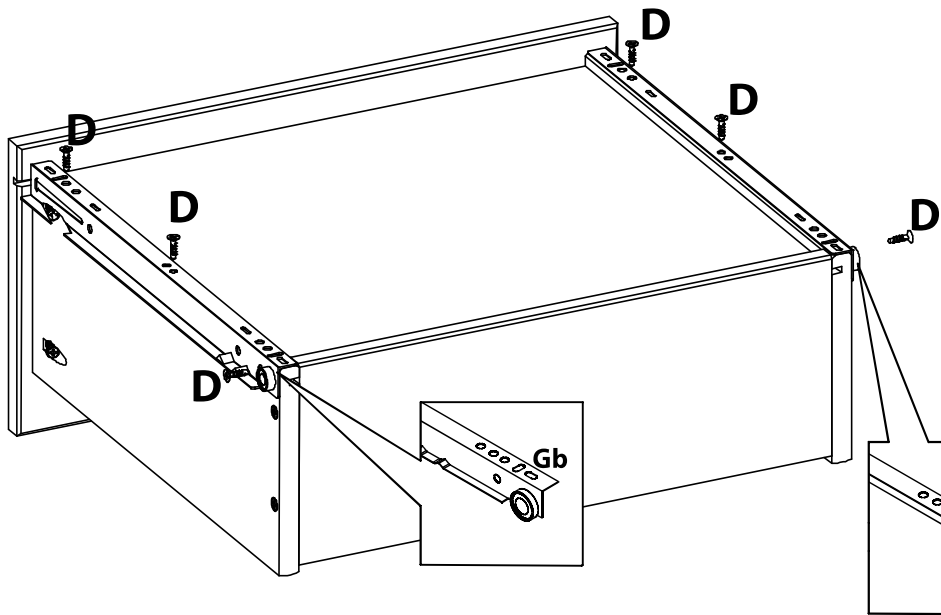
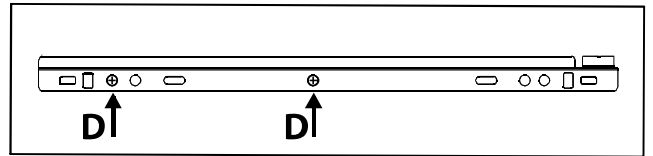
D=02



3,0x 16mm

# 19

# 6X

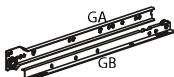


D=36

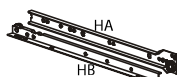


3,0x 16mm

G=06



H=06



20

