
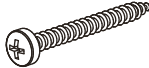





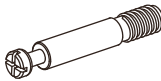

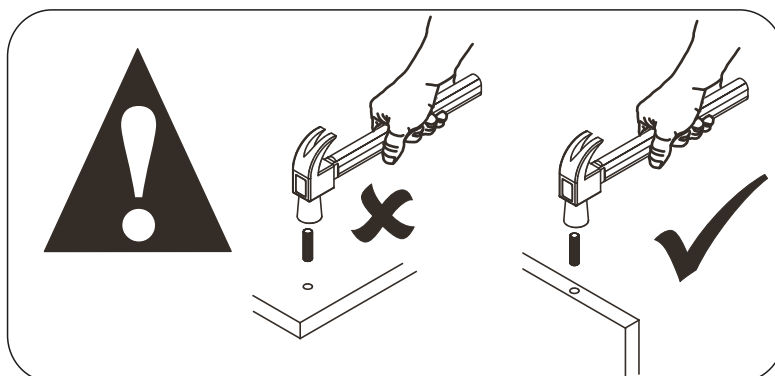
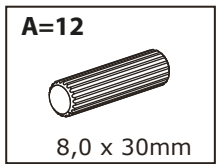
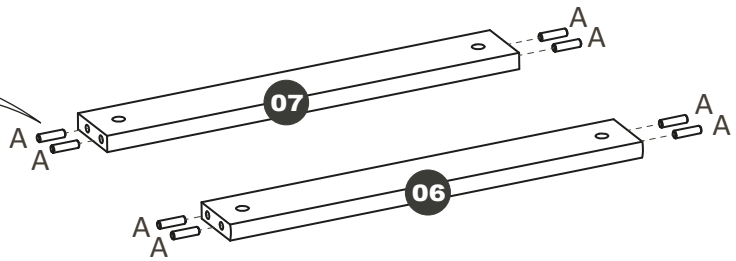
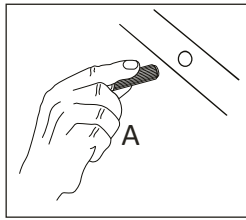
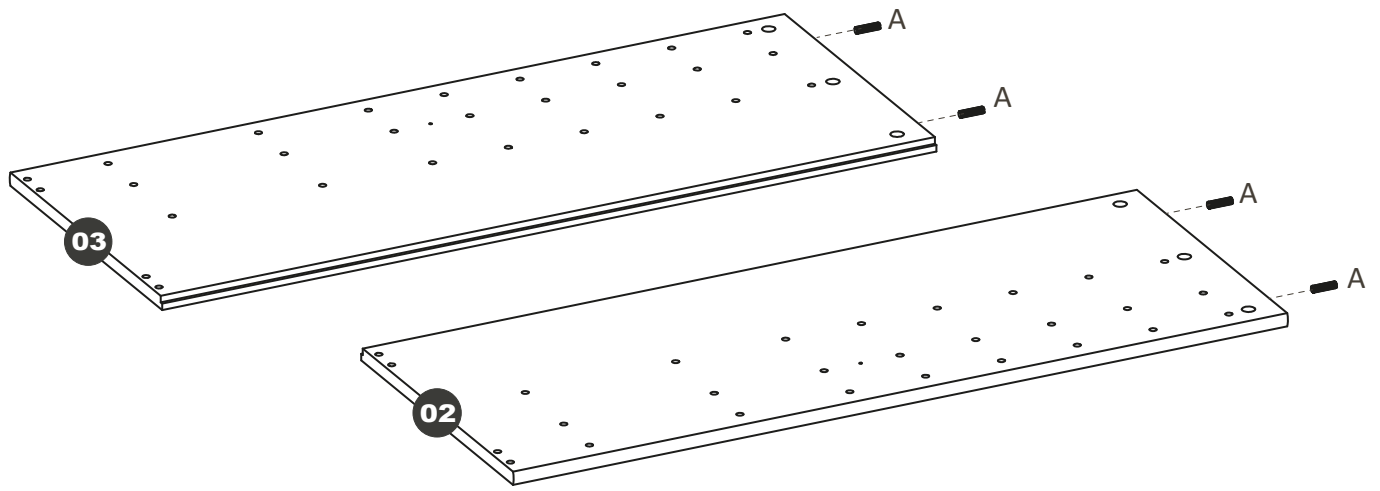


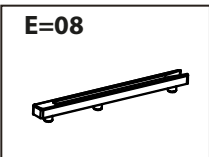
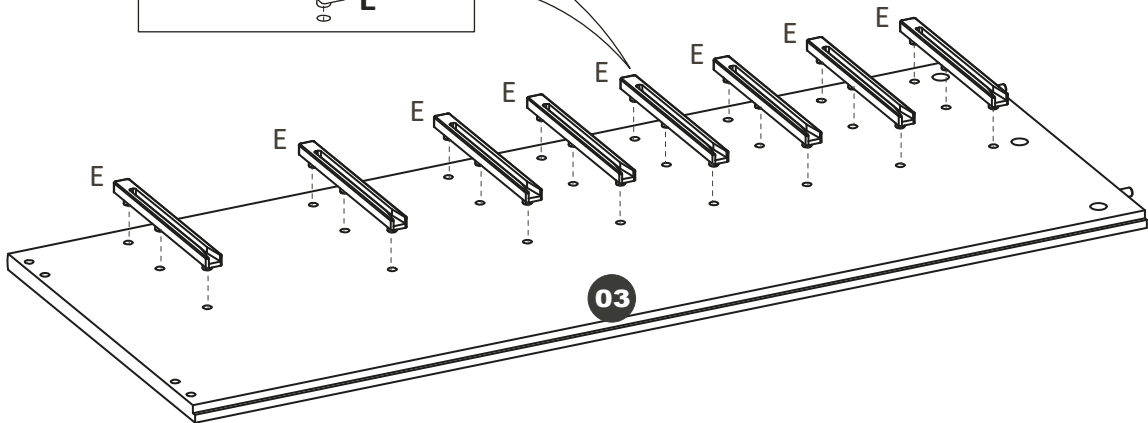
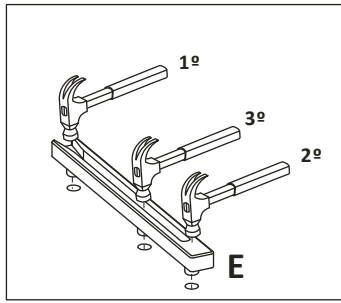
A=12  8,0 x 30mm	B=06  4,0 x 30mm	C=64  3,0 x 25mm	D=36 	E=16 	F=04 
G=04 	H=06 	I=06 			



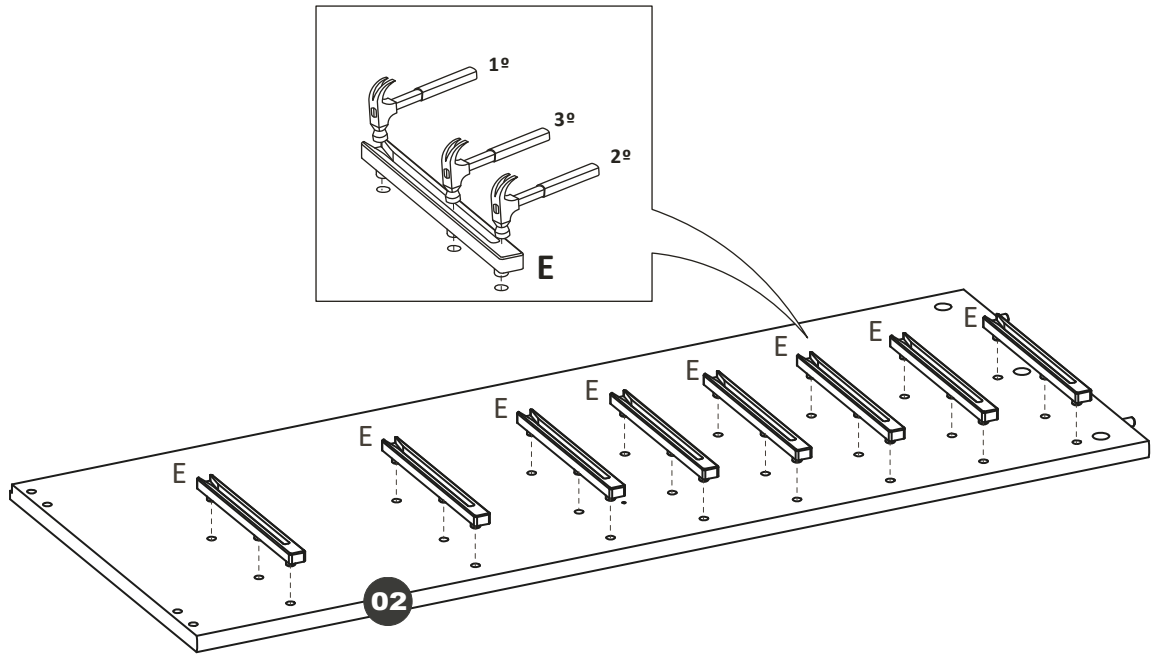
1



2



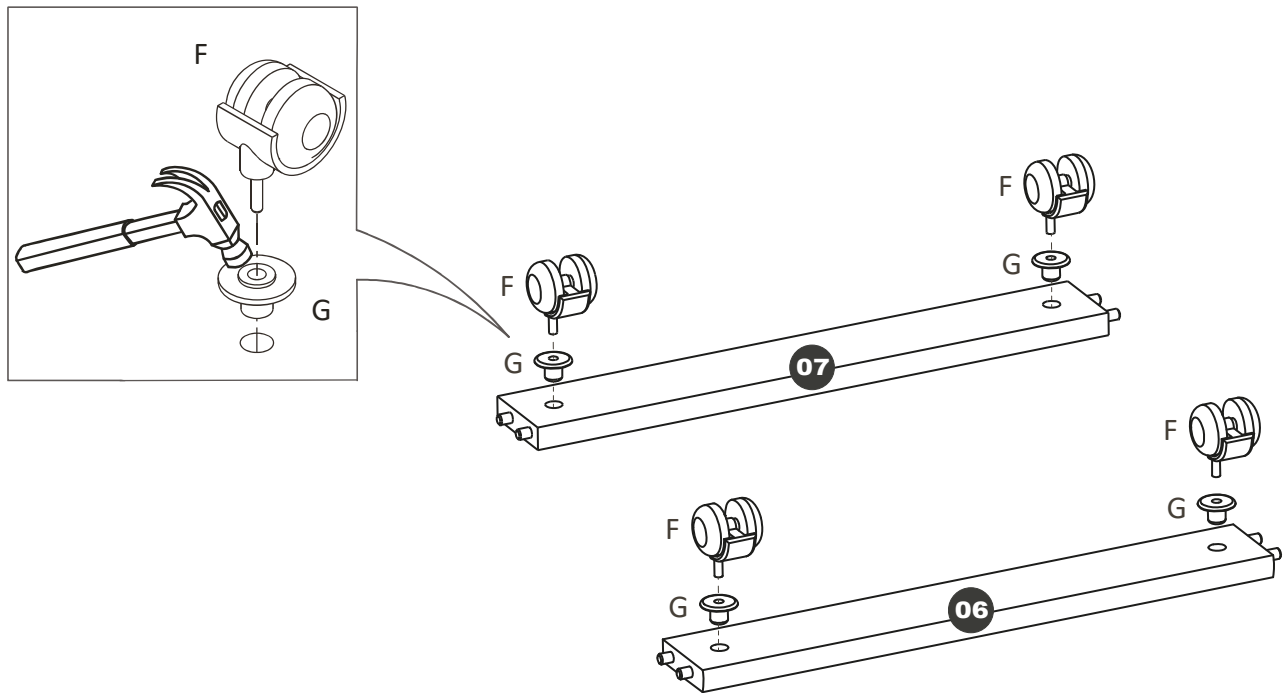
3



E=08



4

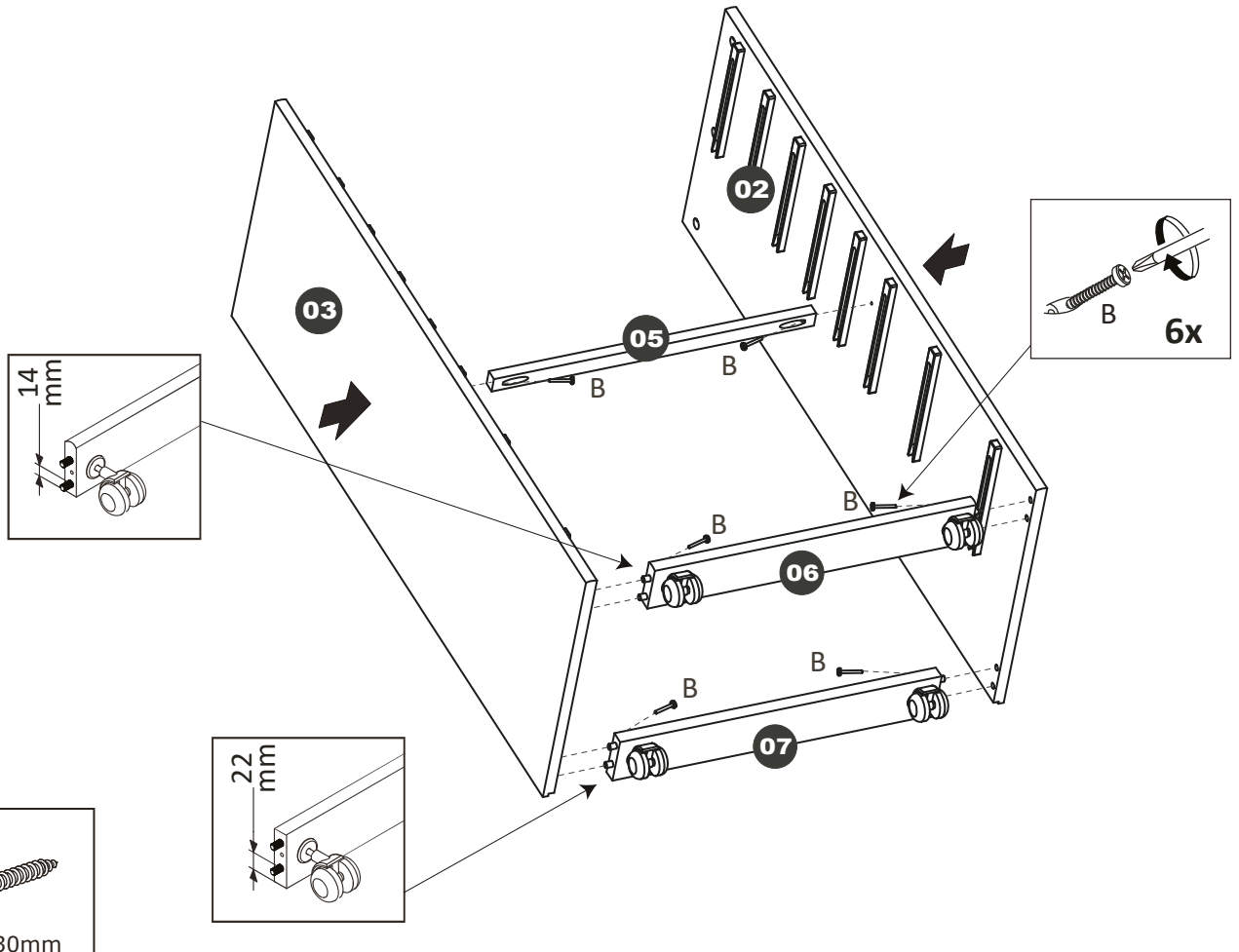


G=04

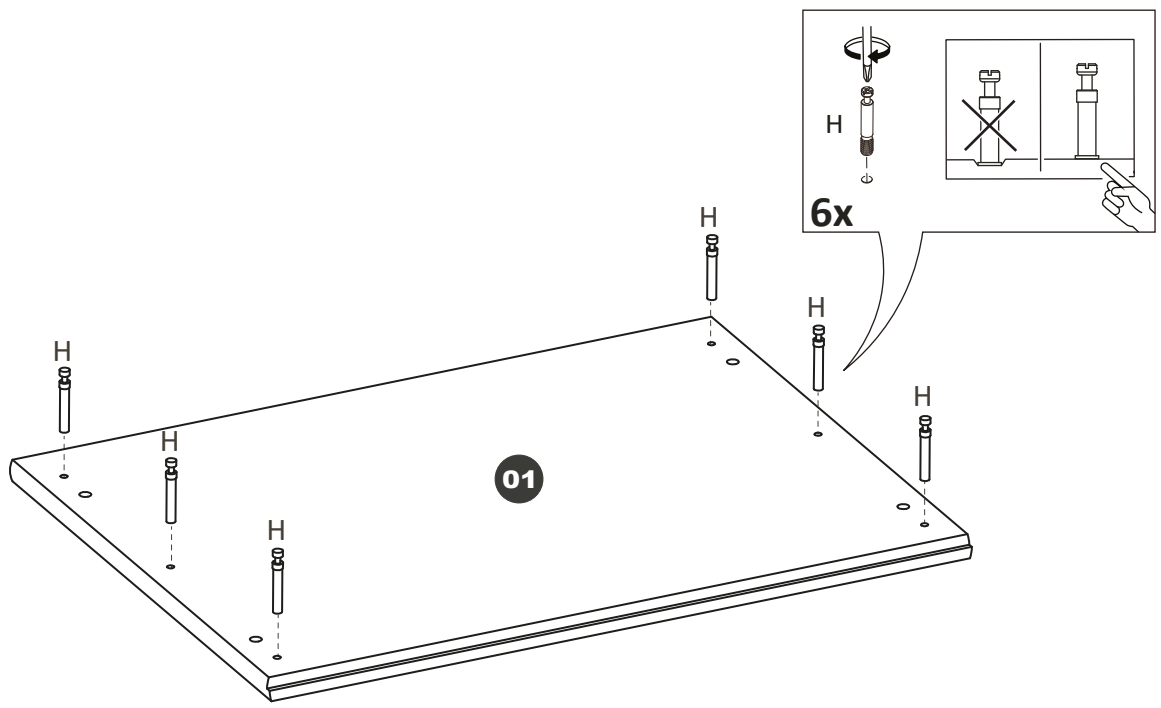
F=04



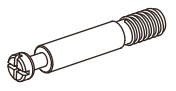
5



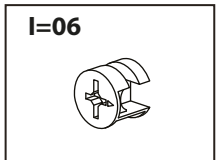
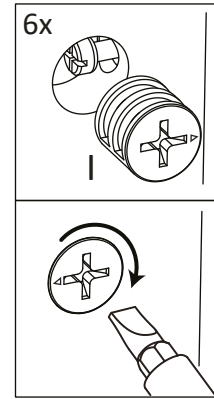
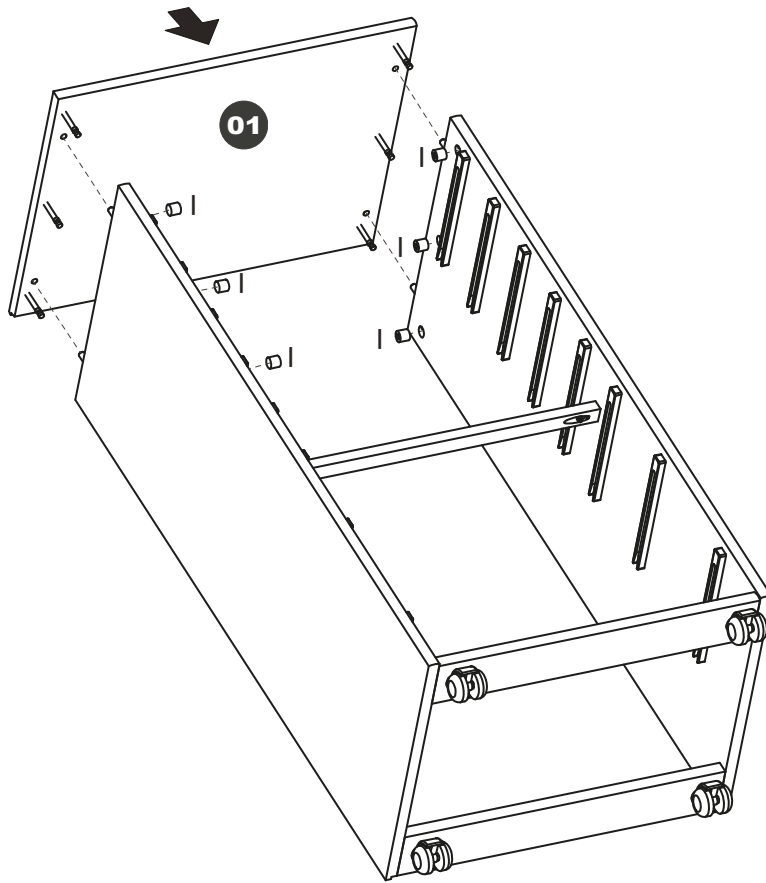
6



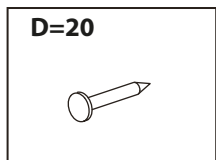
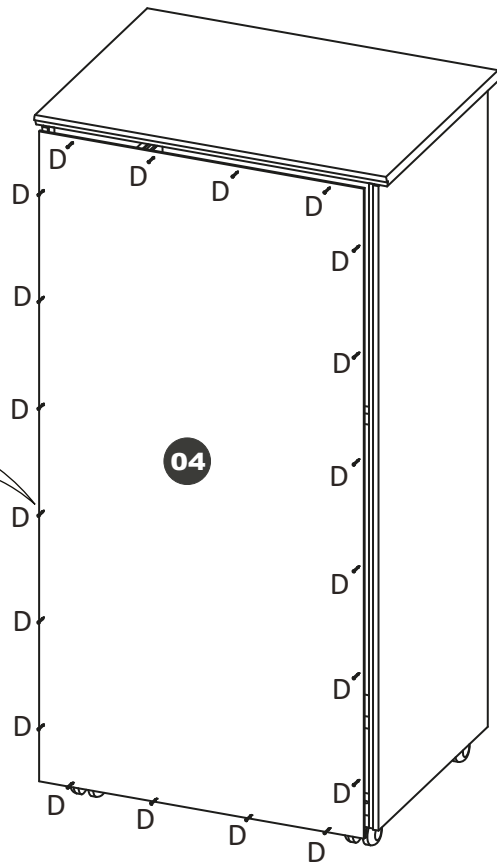
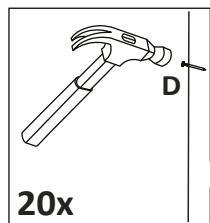
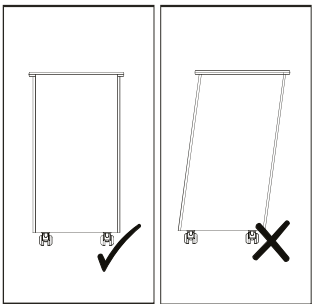
H=06



7

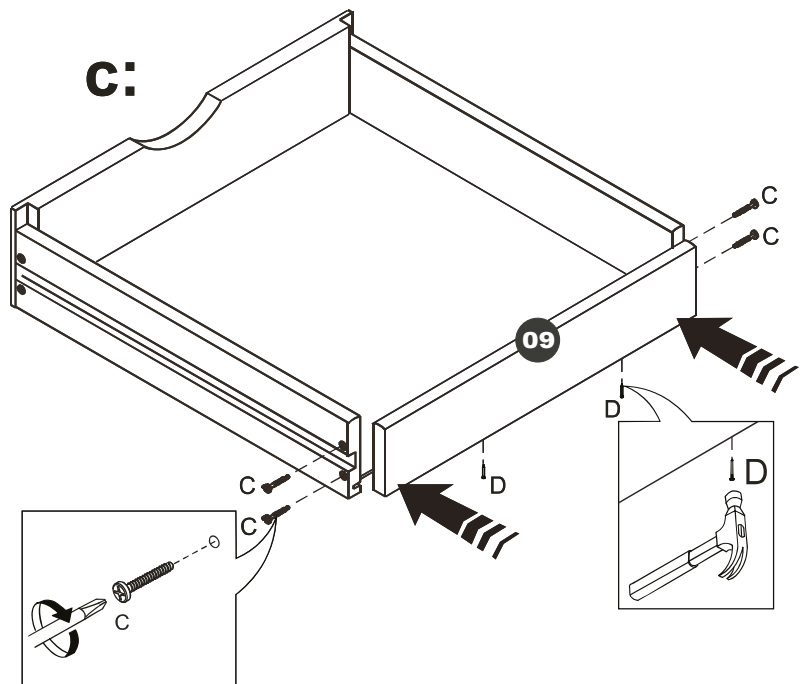
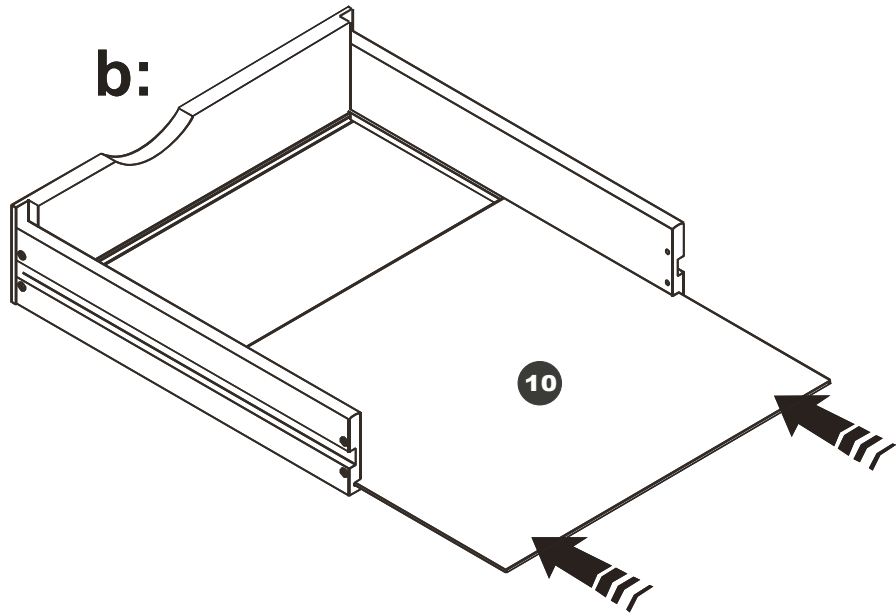
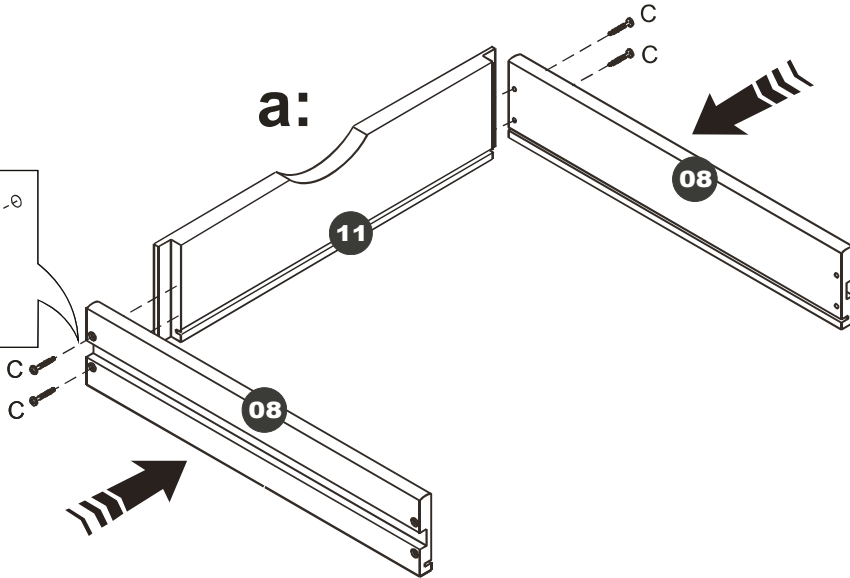
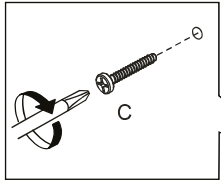




8



9

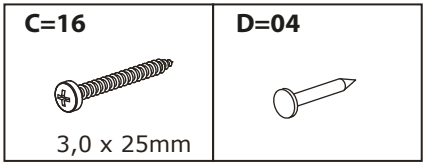
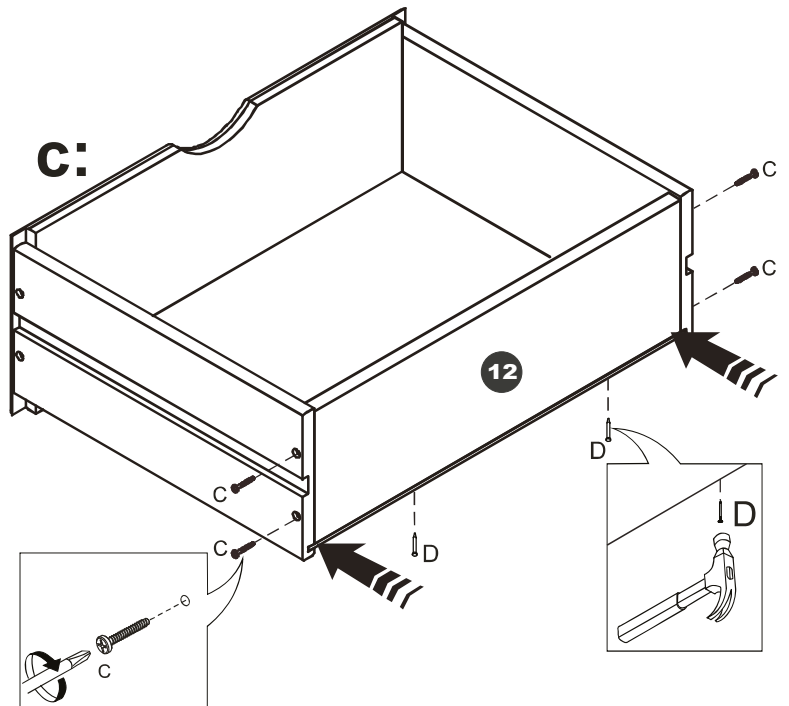
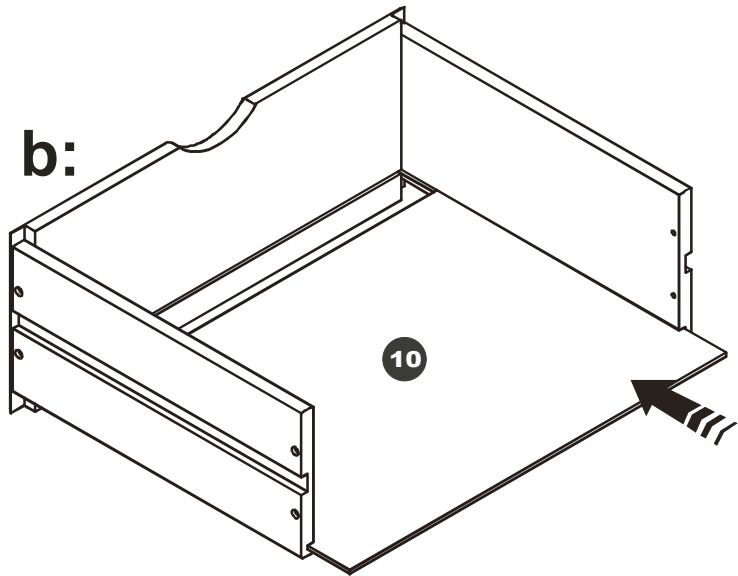
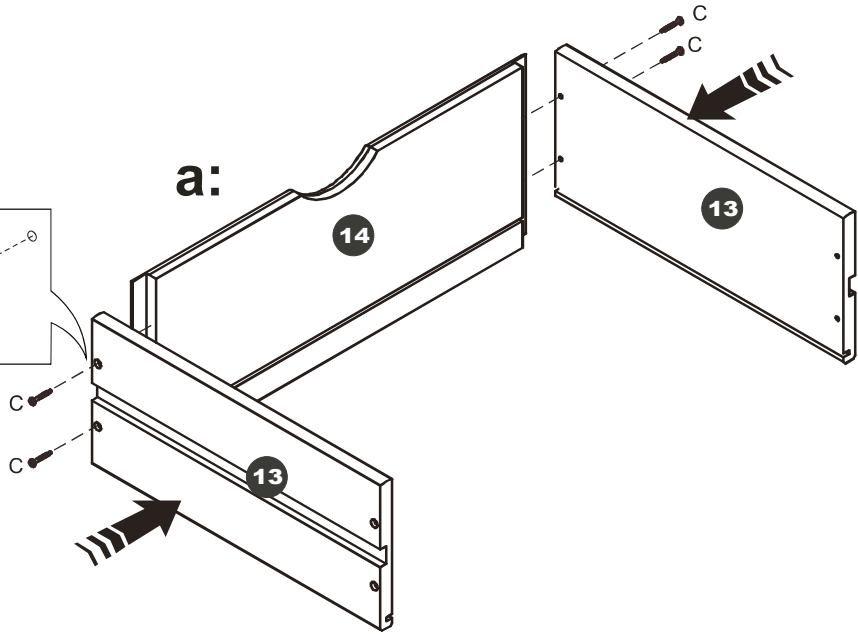
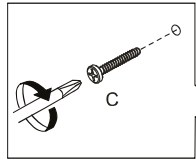
6x



C=48  3,0 x 25mm	D=12 
--	--

10

2x



11

