


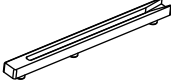

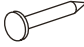

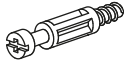
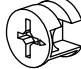
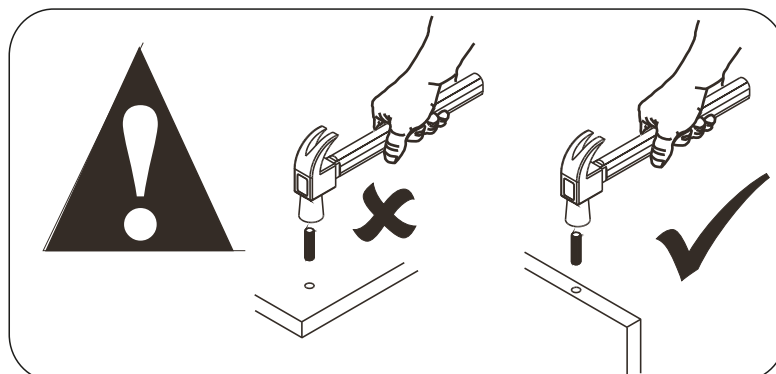
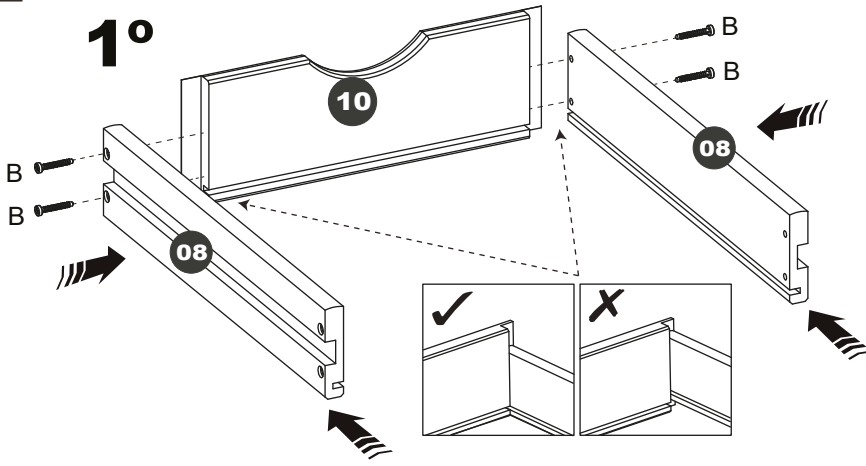


A=12  8,0 x 30mm	B=48  3,0 x 25mm	C=04  4,0 x 30mm	D=12 	E=04 	F=28 
G=04 	H=06 	I=06 			

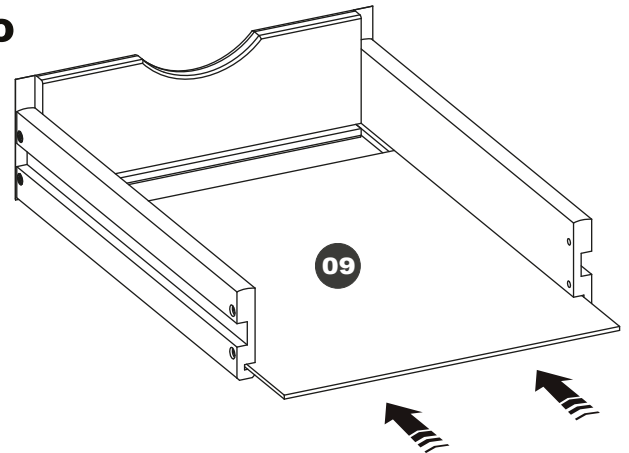


1

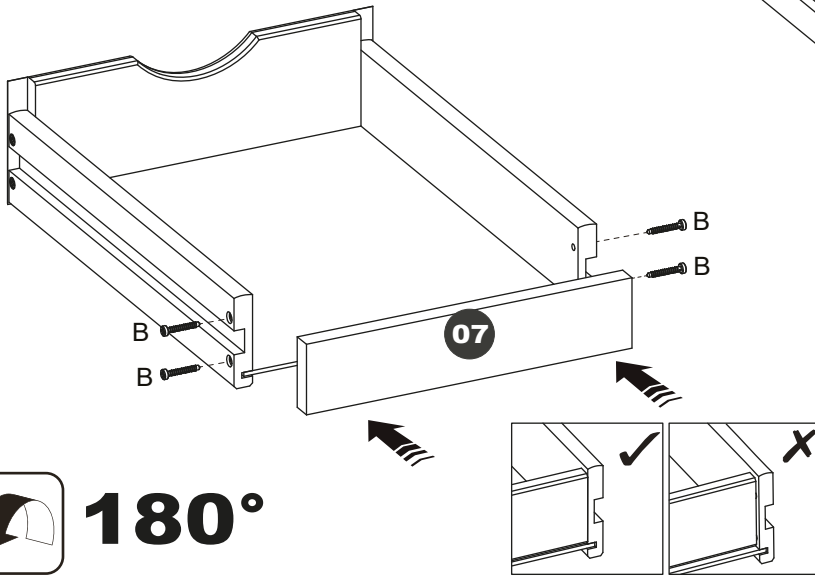
6x



2°

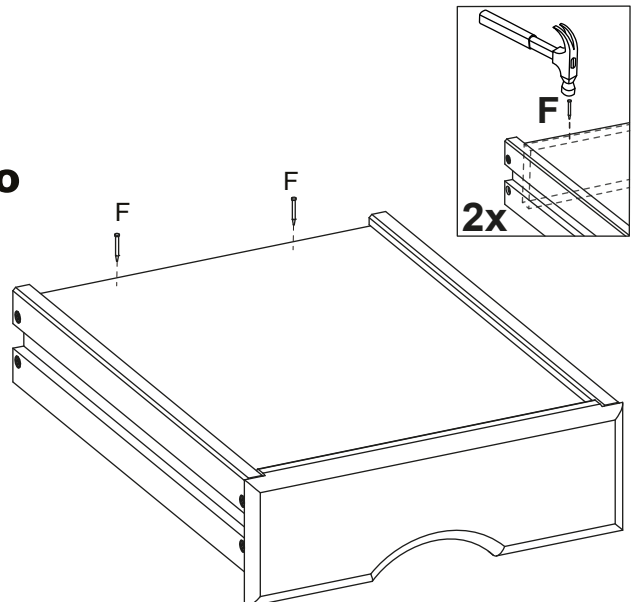


3°



180°

4°



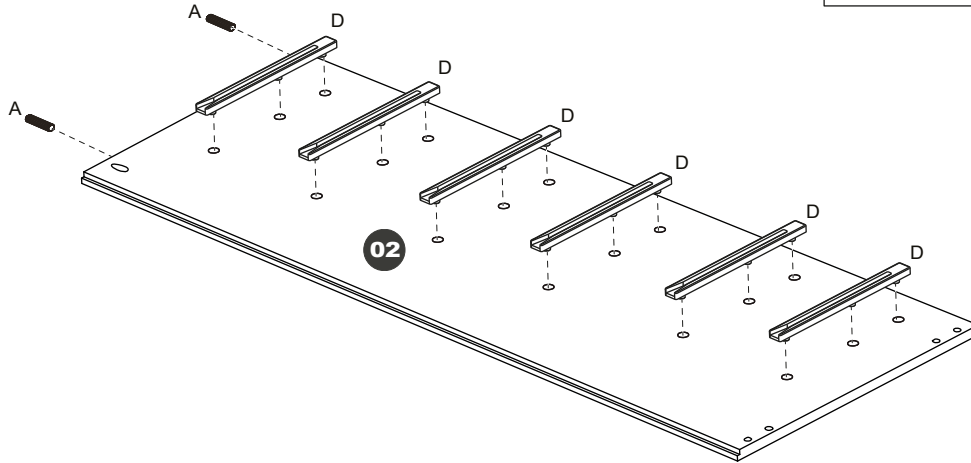
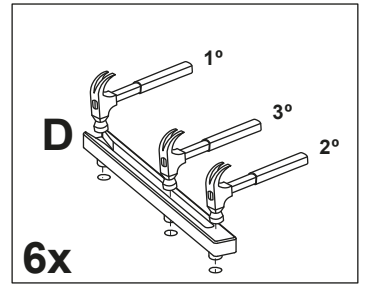
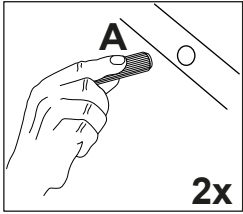
B=48

F=12



3,0 x 25mm

2

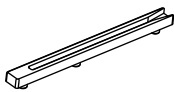


A=02

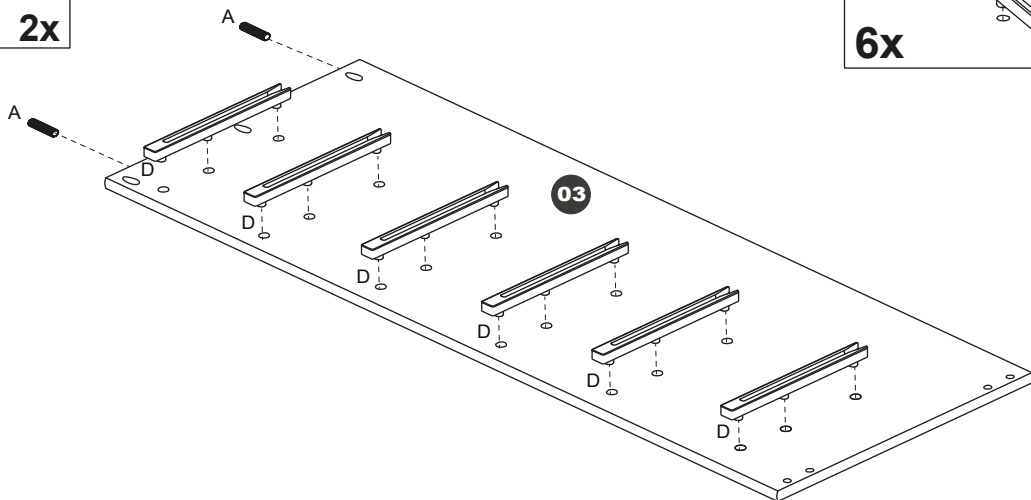
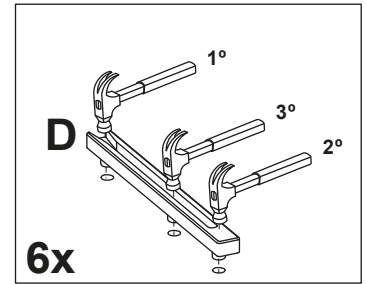
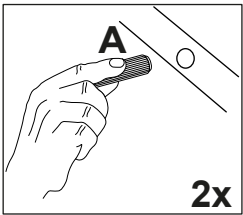


8,0 x 30mm

D=06



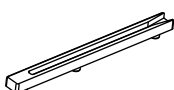
3



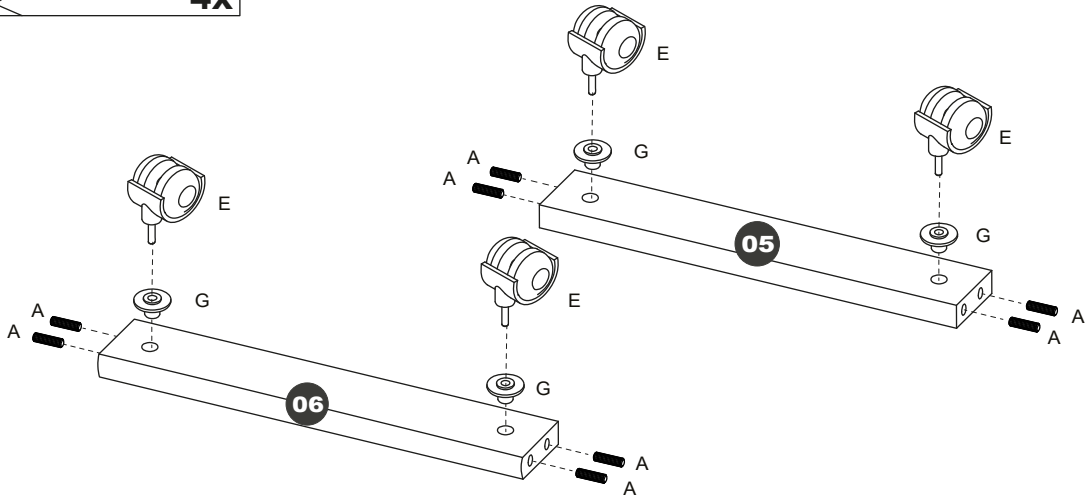
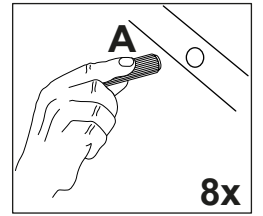
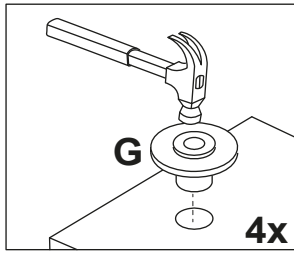
A=02






D=06

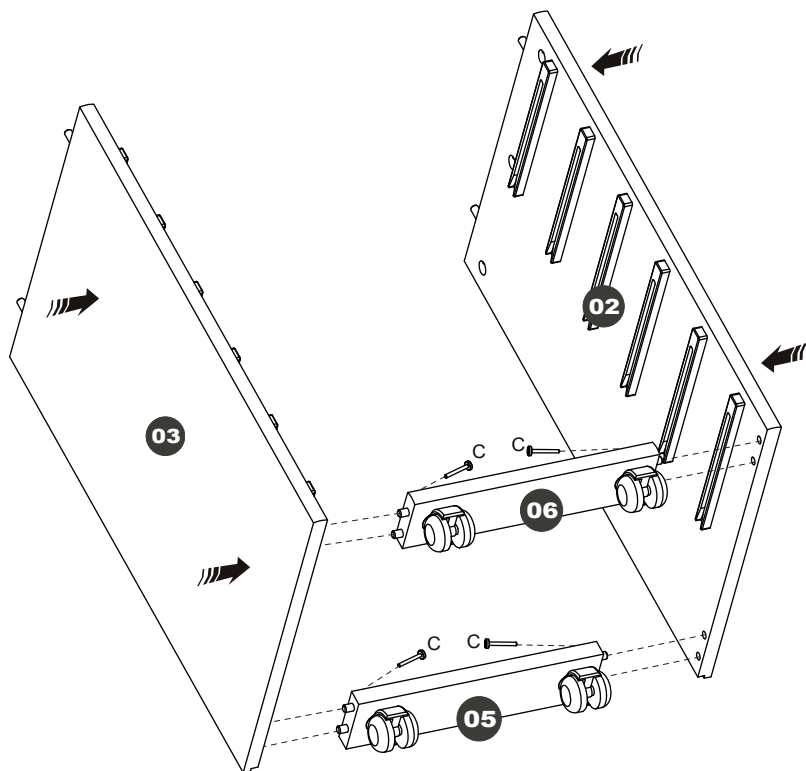
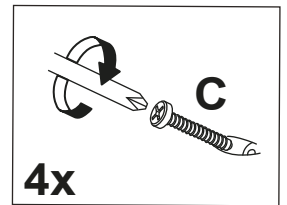



4



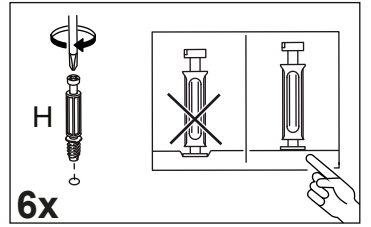
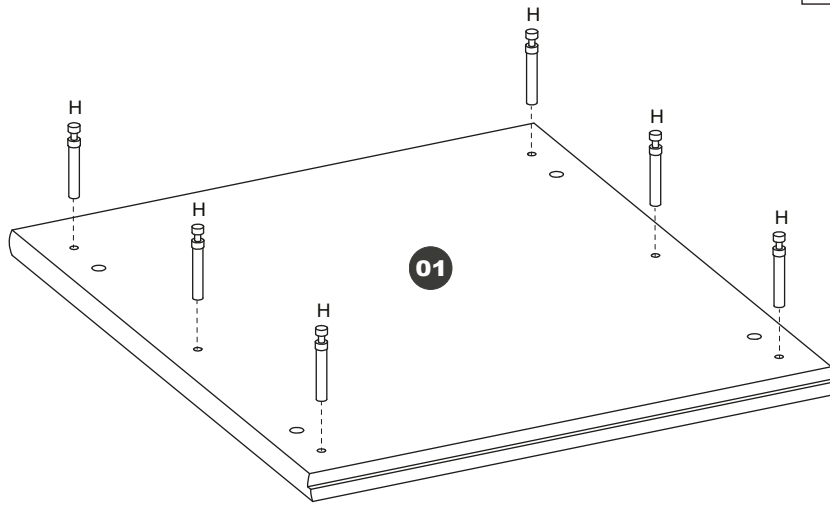
<p>E=04</p> 	<p>G=04</p> 	<p>A=08</p>  8,0 x 30mm
---	---	---

5

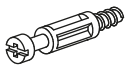


<p>C=04</p>  4,0 x 30mm

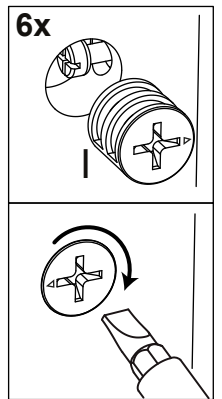
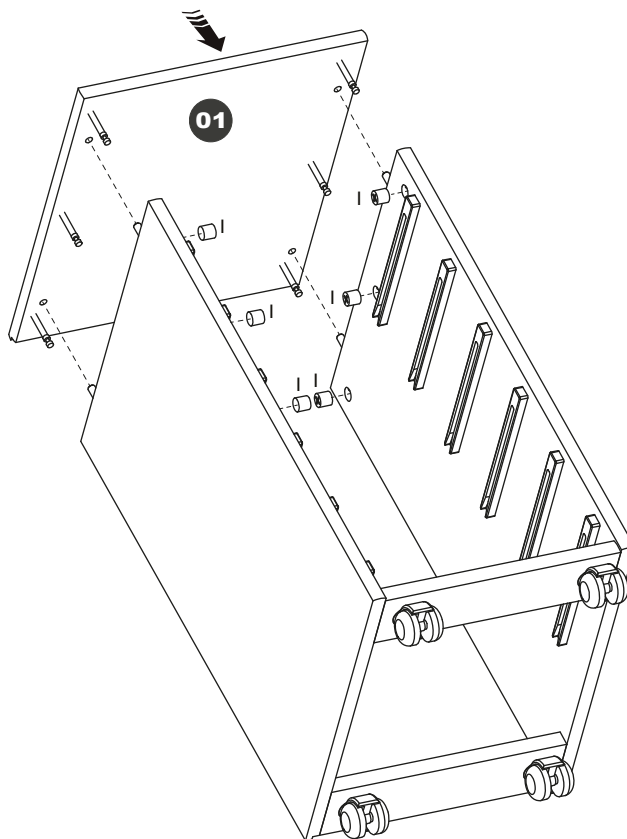
6



H=06



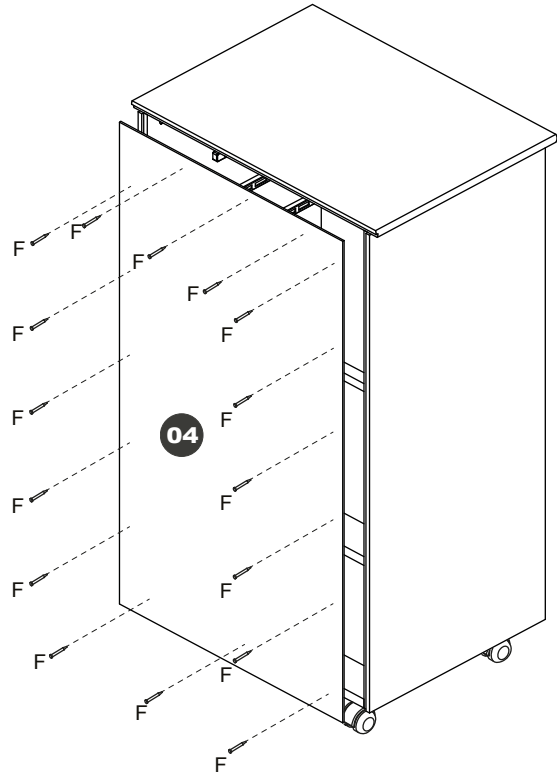
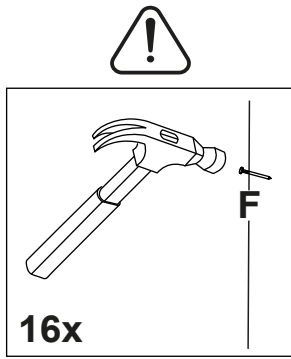
7



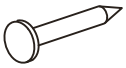
I=06



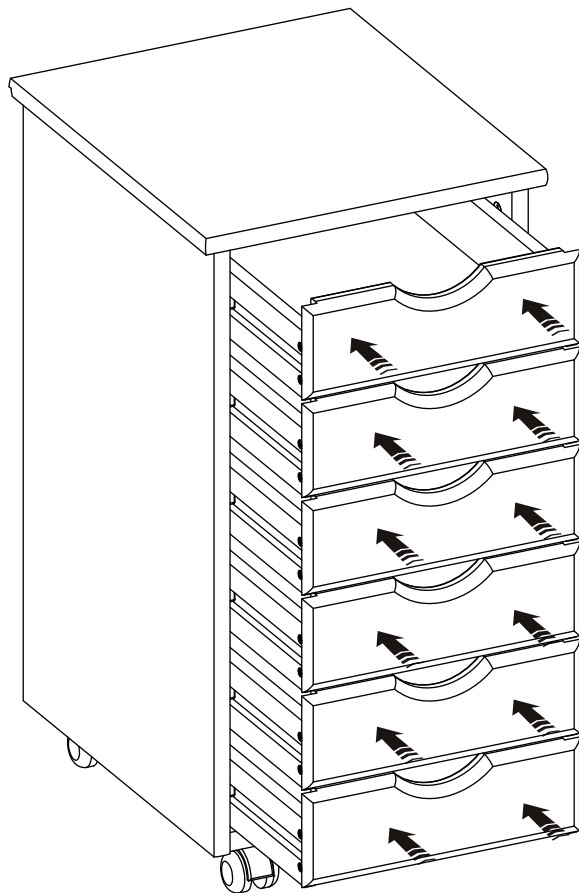
8



F=16



9



08.08.2025 - Rev. 2