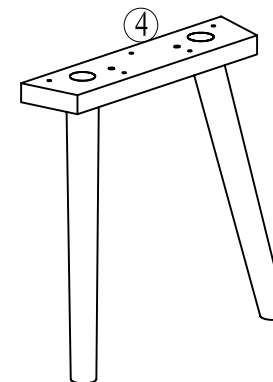
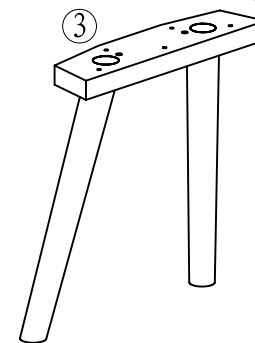
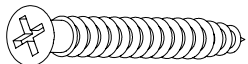
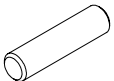
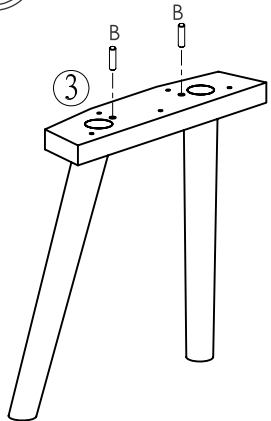


× 2

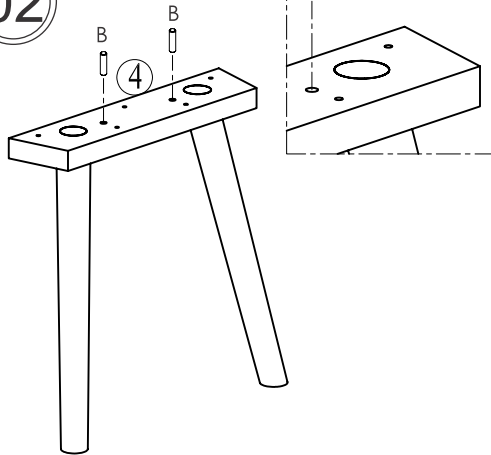


A	 Ø3,5x40mm	24
B		08

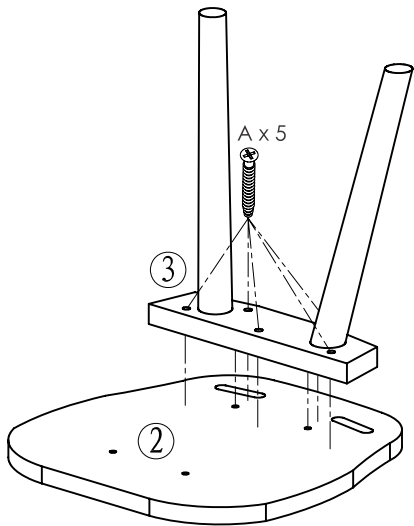
01 × 2



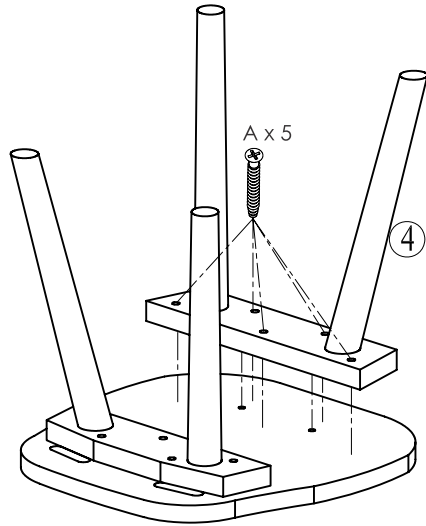
02 × 2



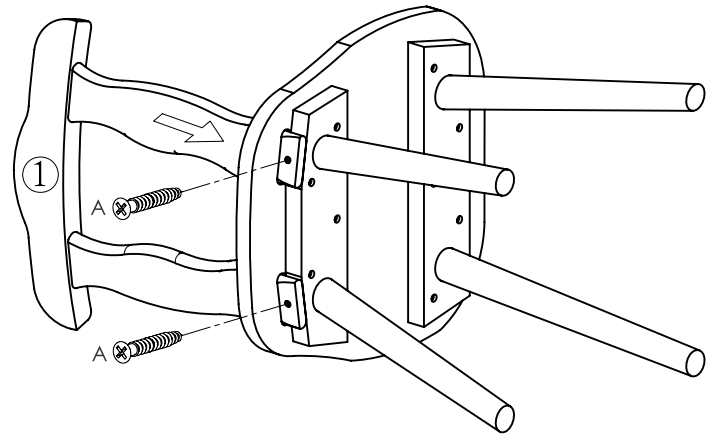
03 × 2

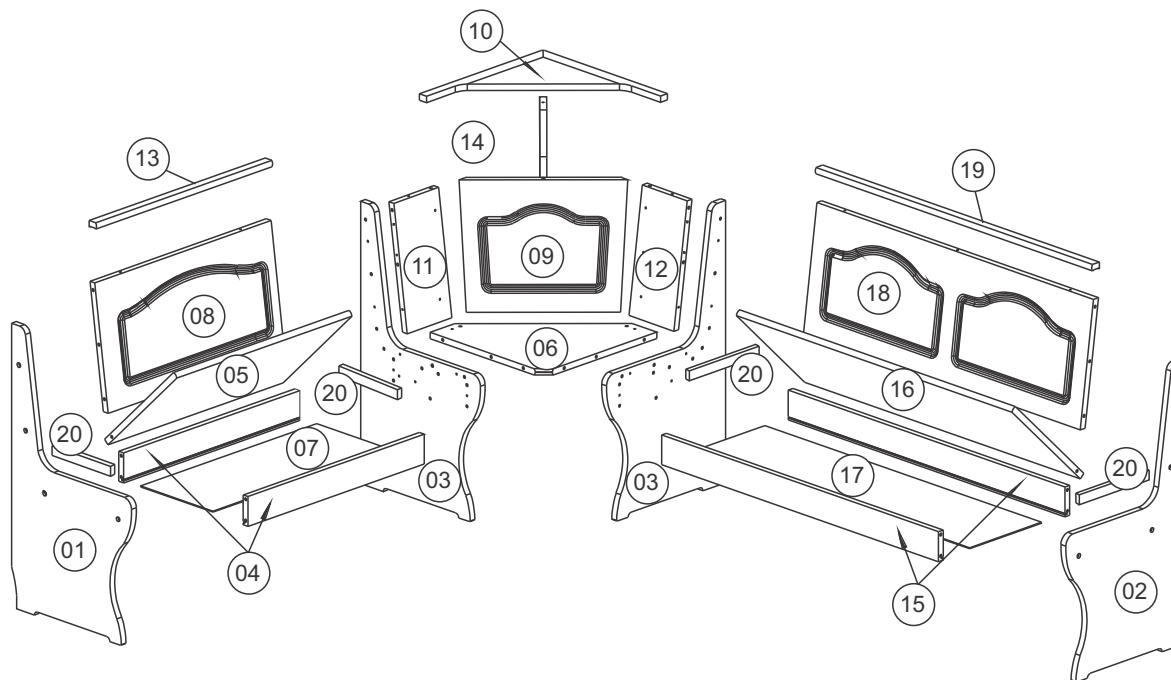
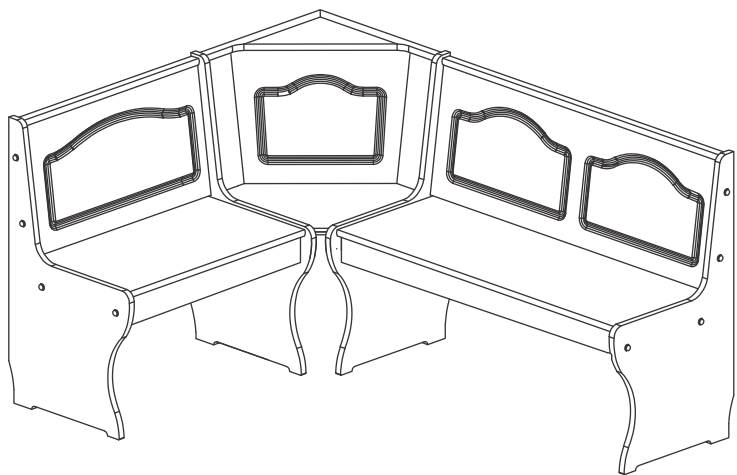




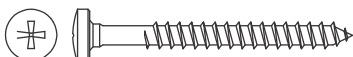
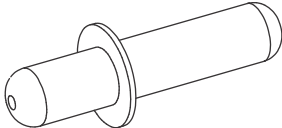

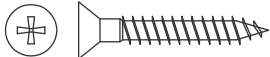
04 × 2



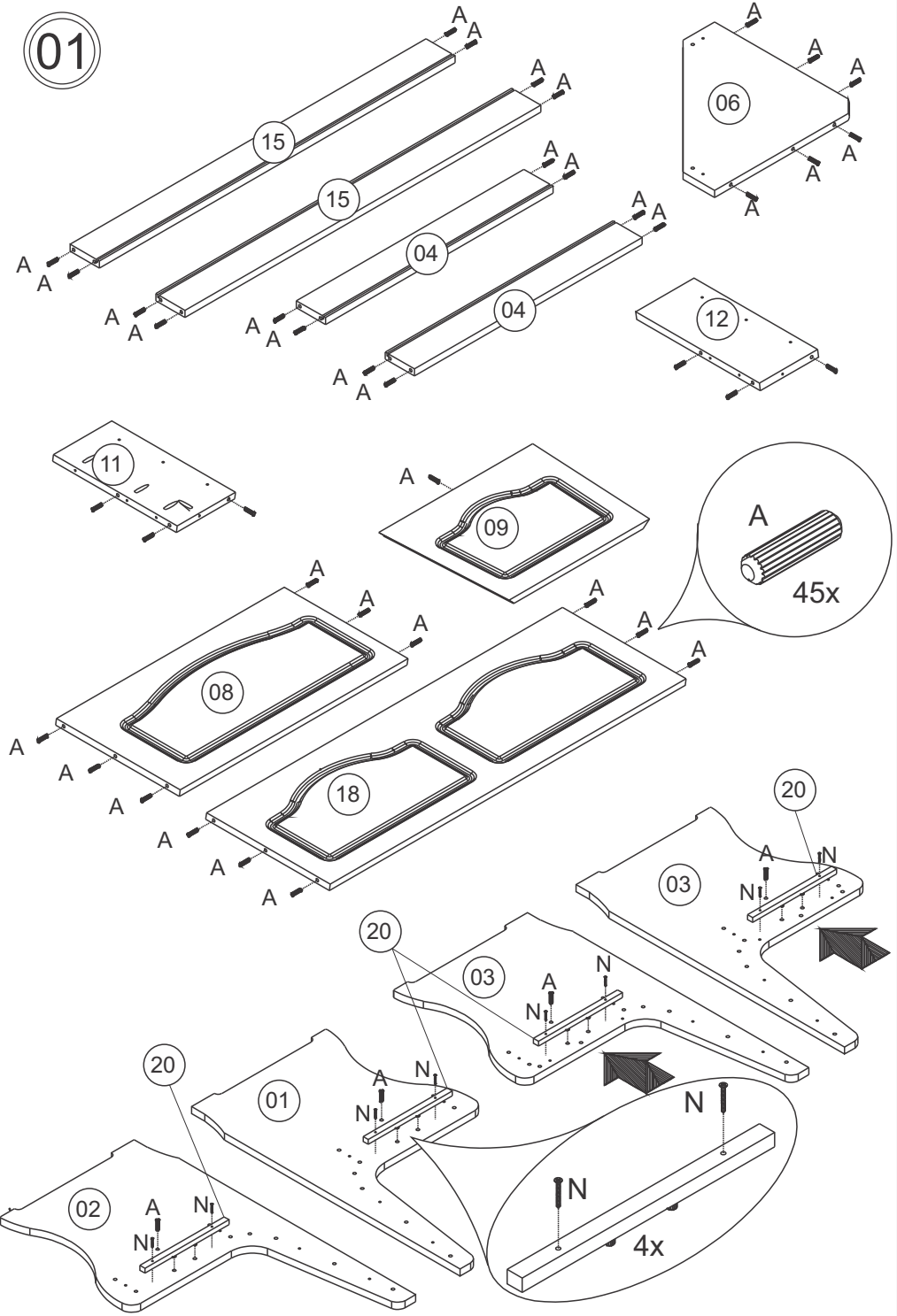
05 × 2



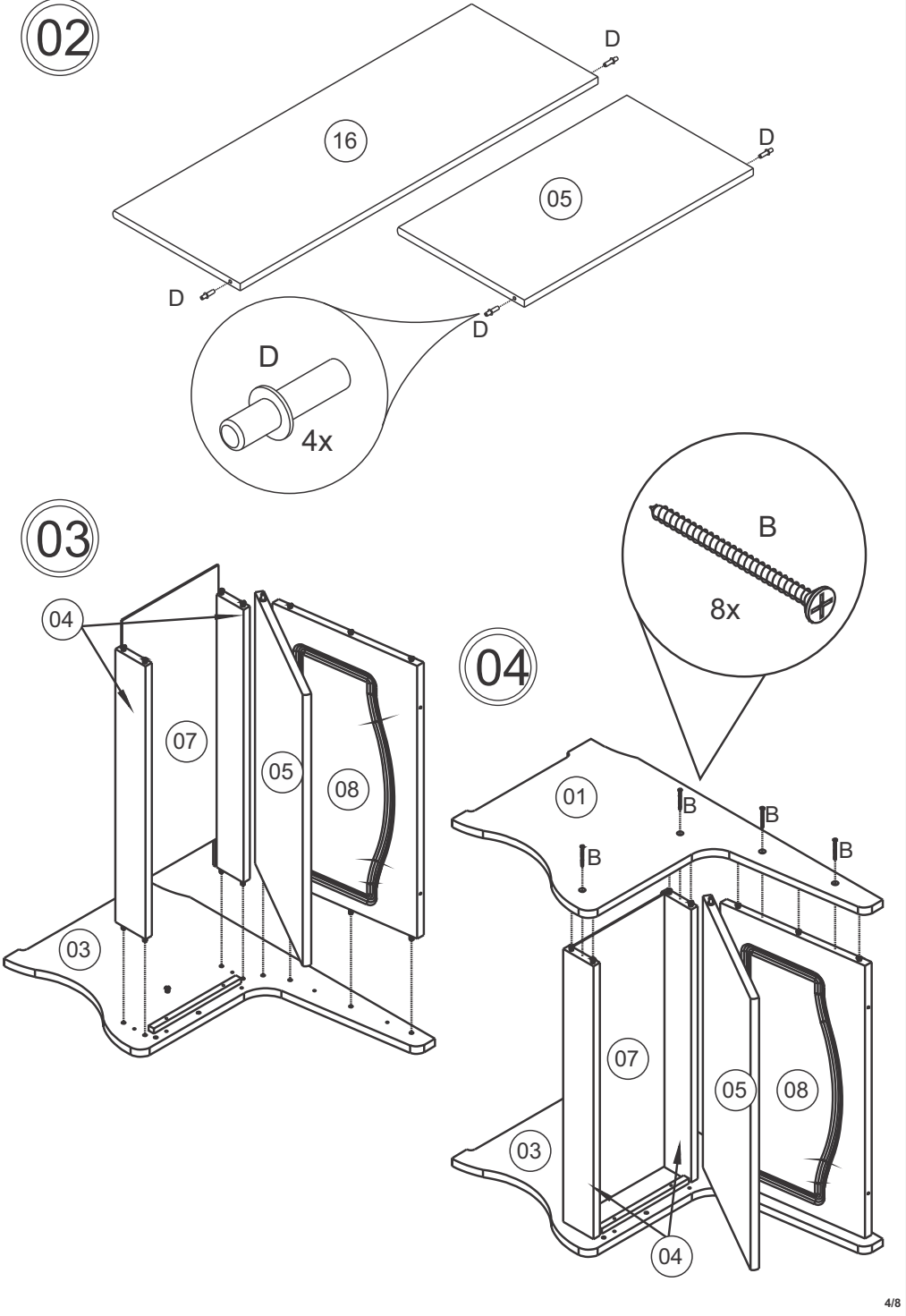


A	 Ø8x30mm	47
B	 Ø4,5x50mm	20
C	 Ø4,0x35mm	23
D		04
E		08
N	 Ø3,5x25mm	08

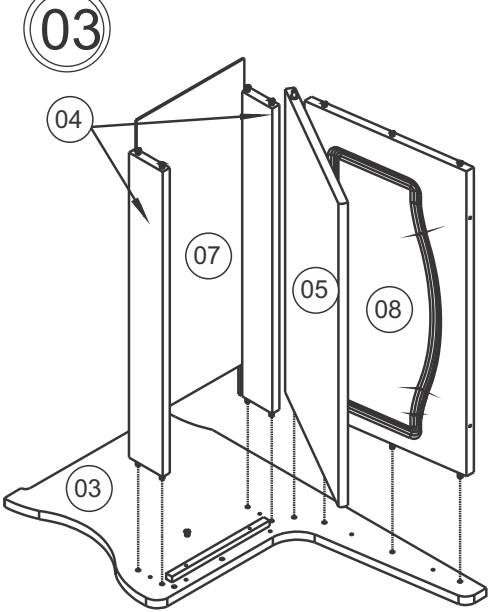
01



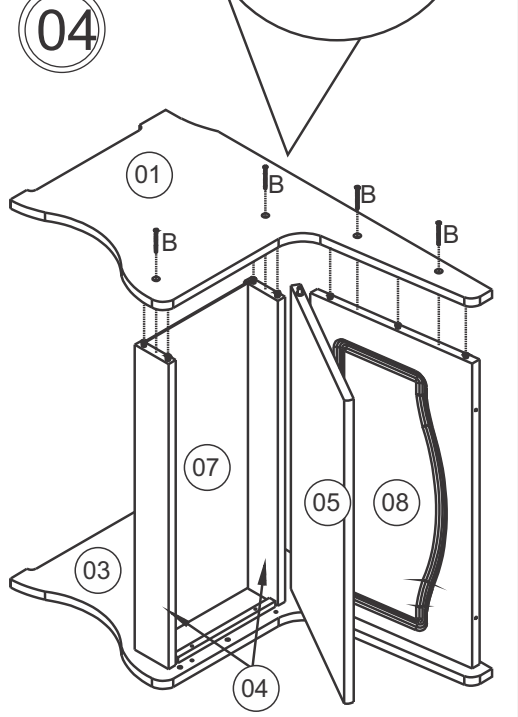
02



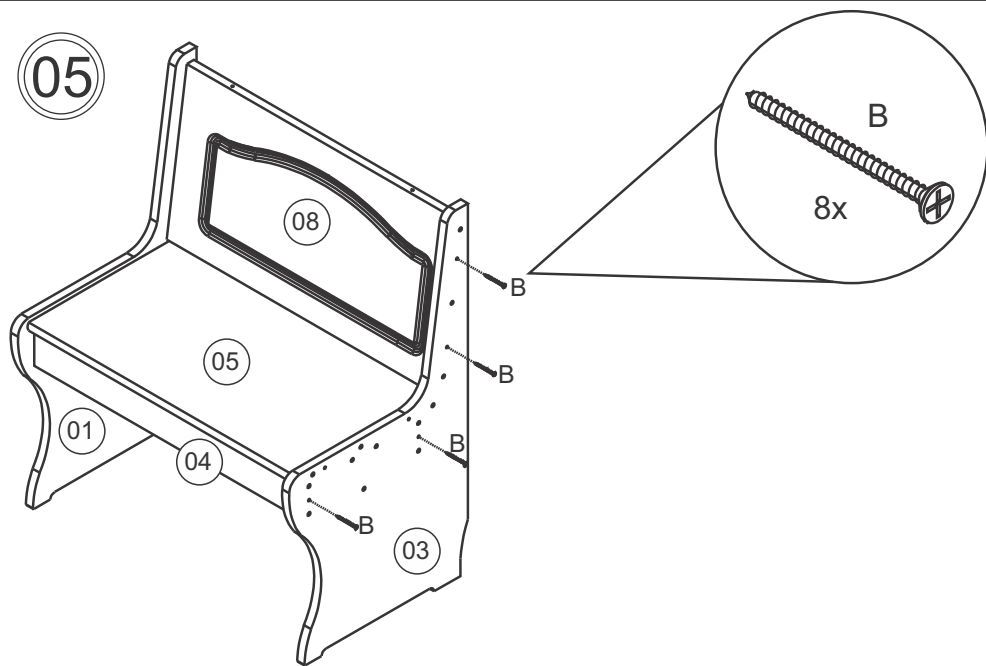
03



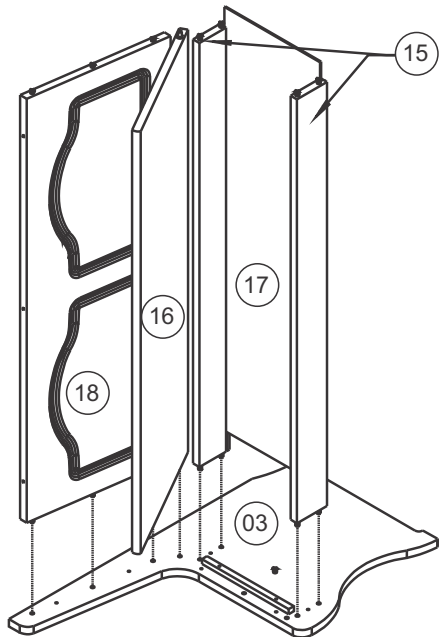
04



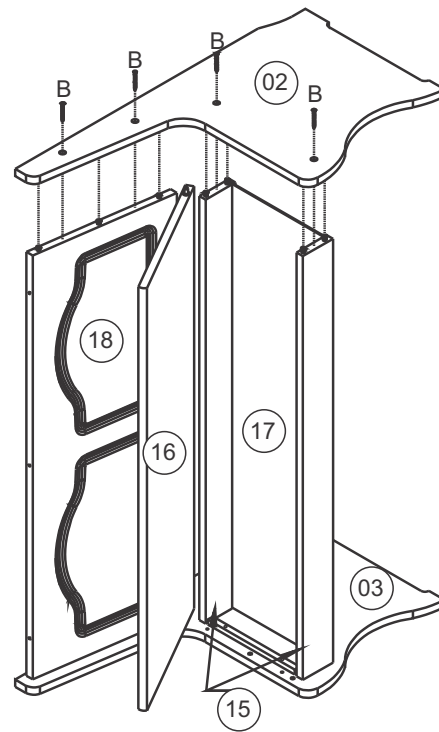
05



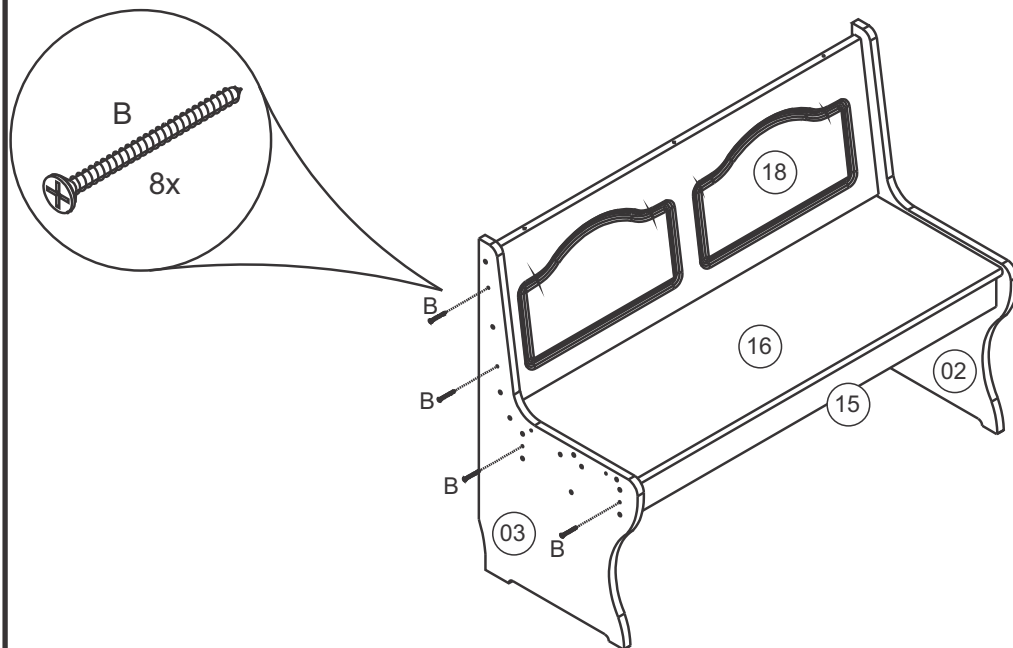
06



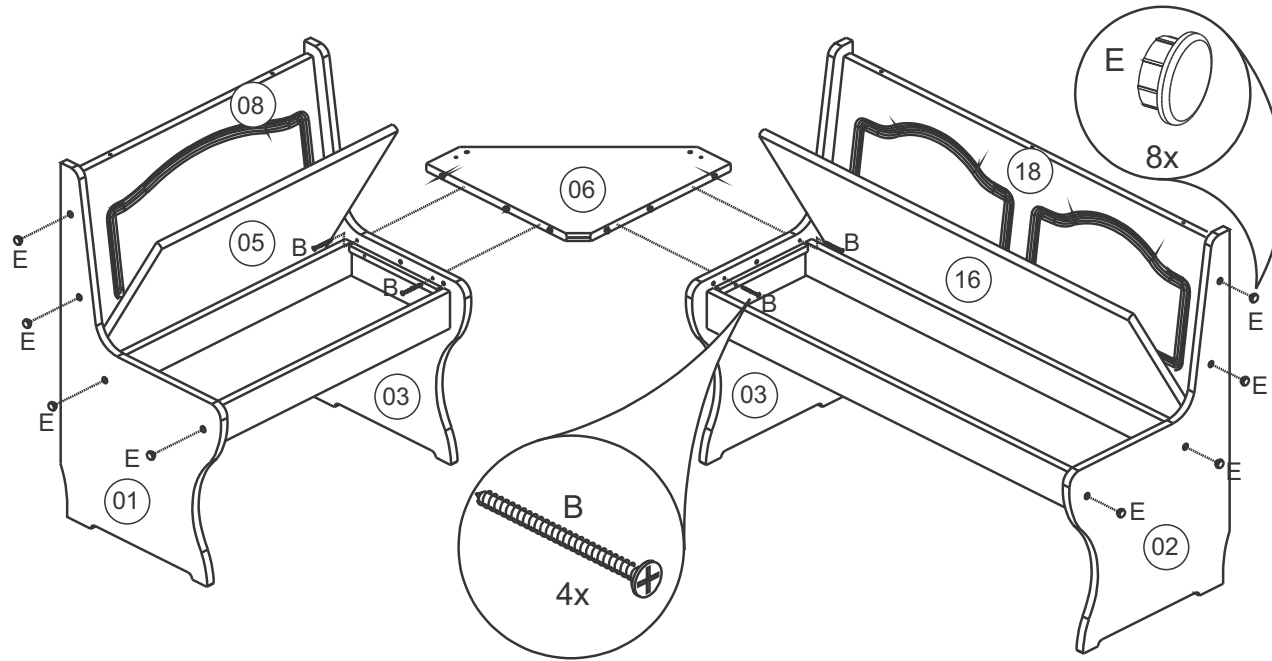
07



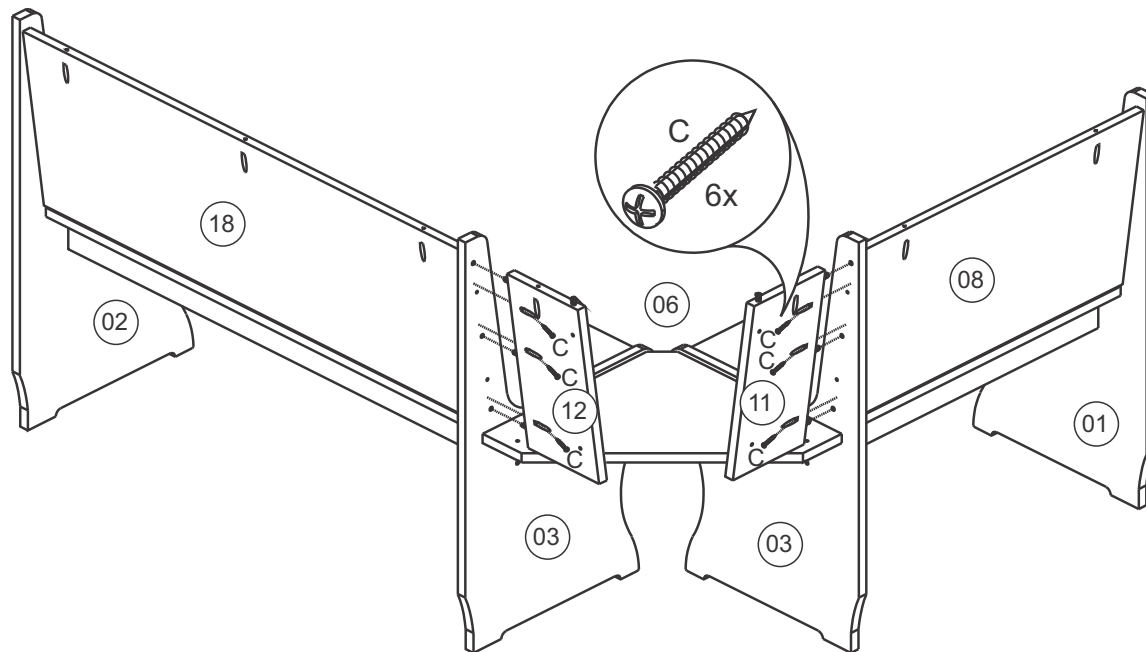
08



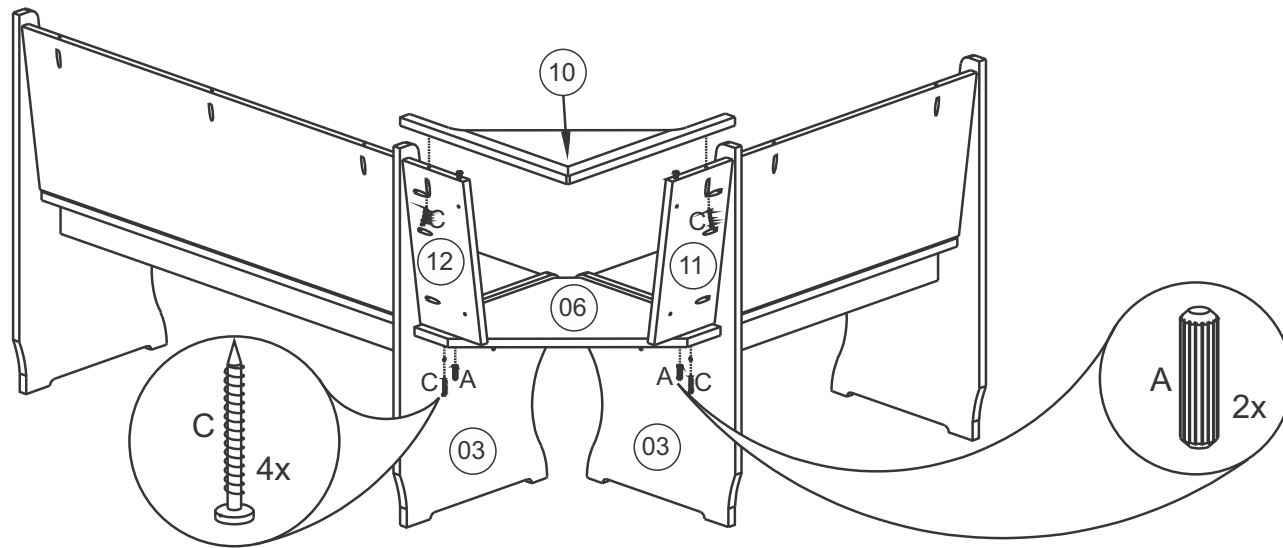
09



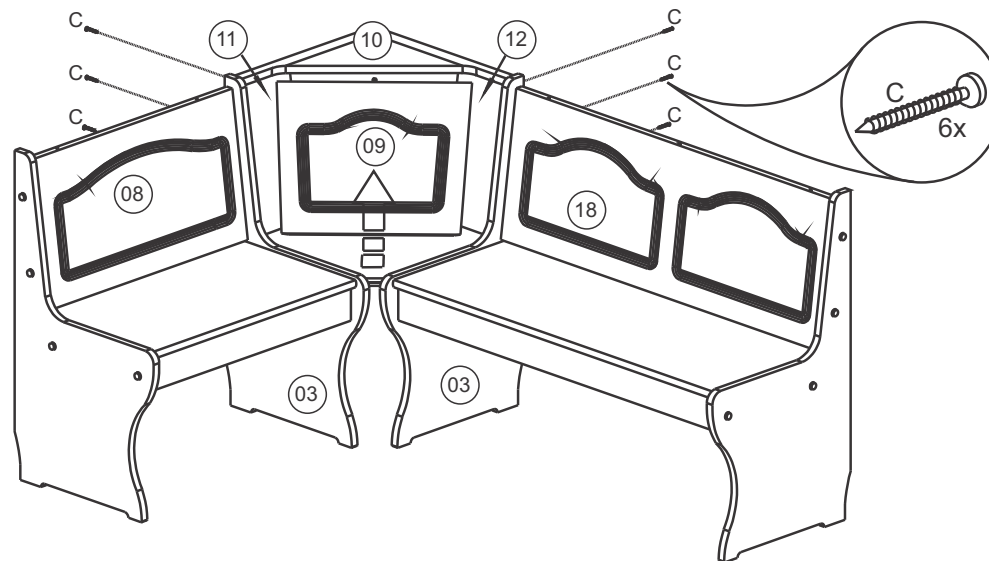
10



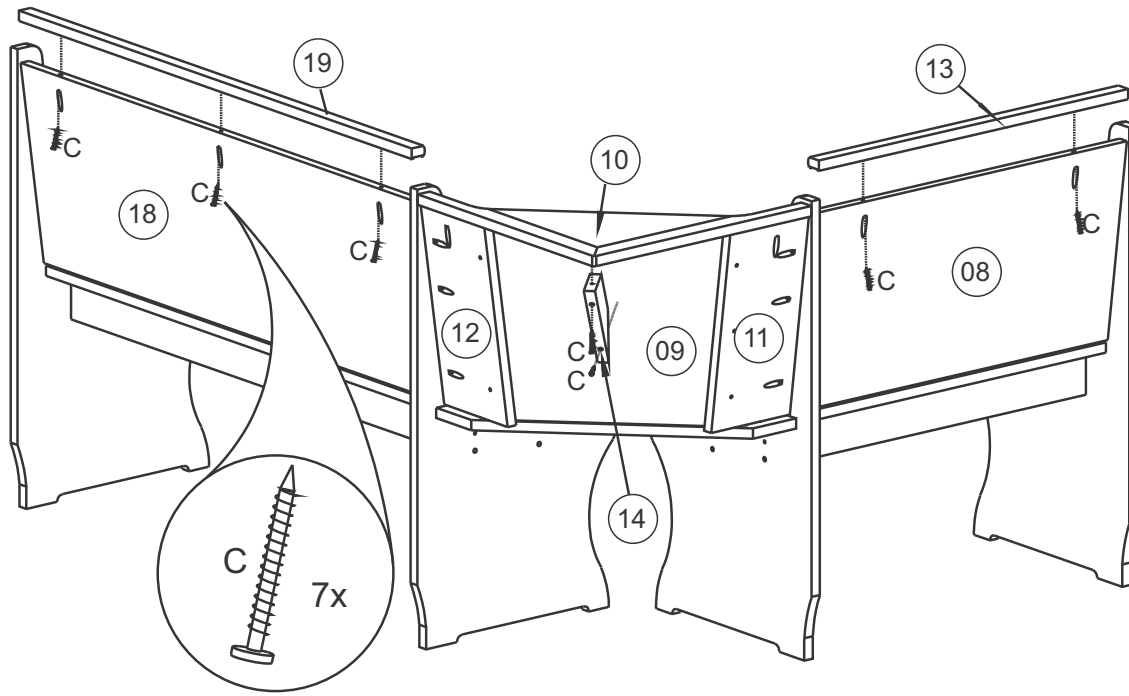
11

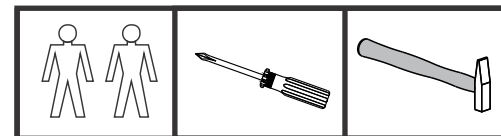


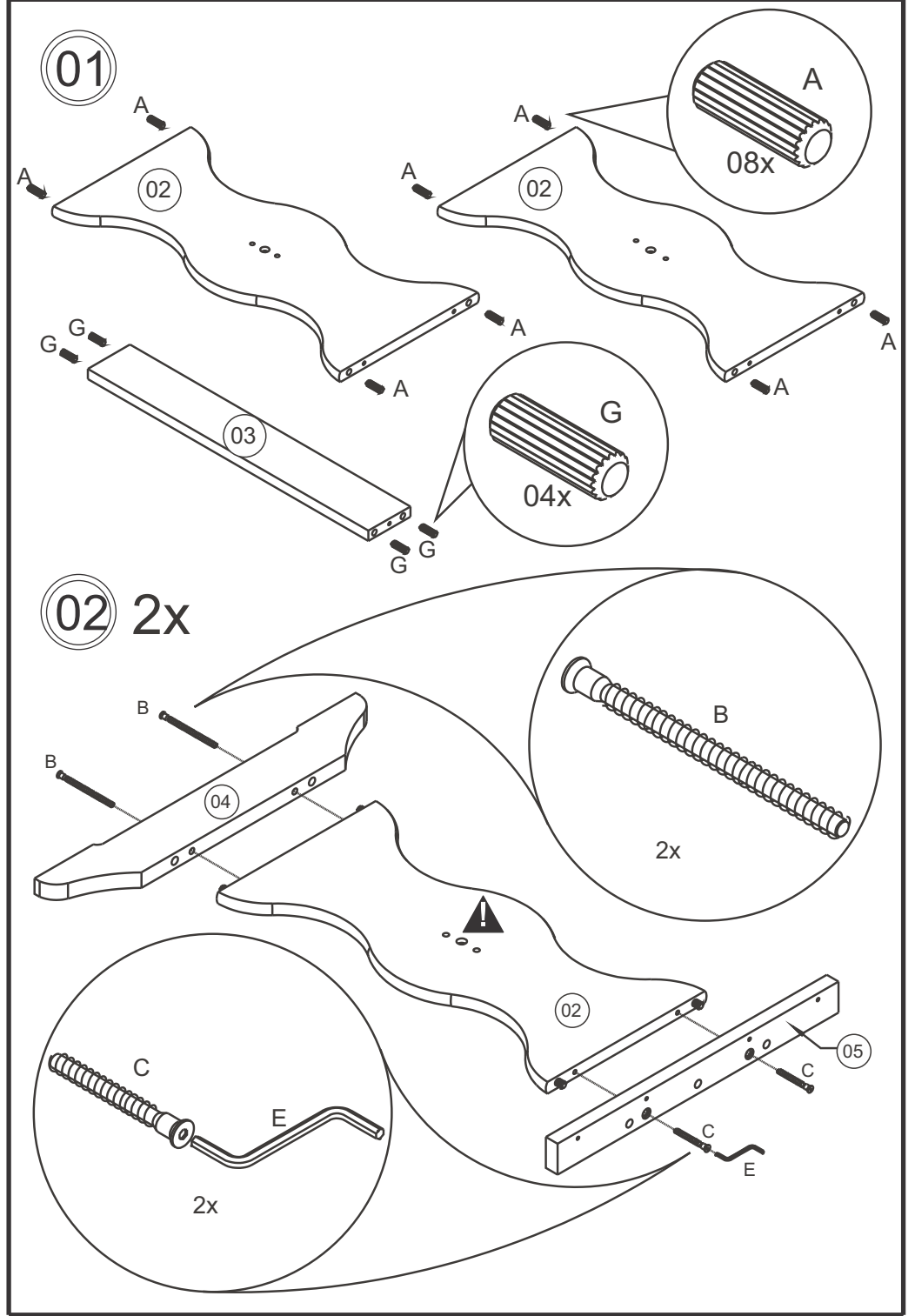
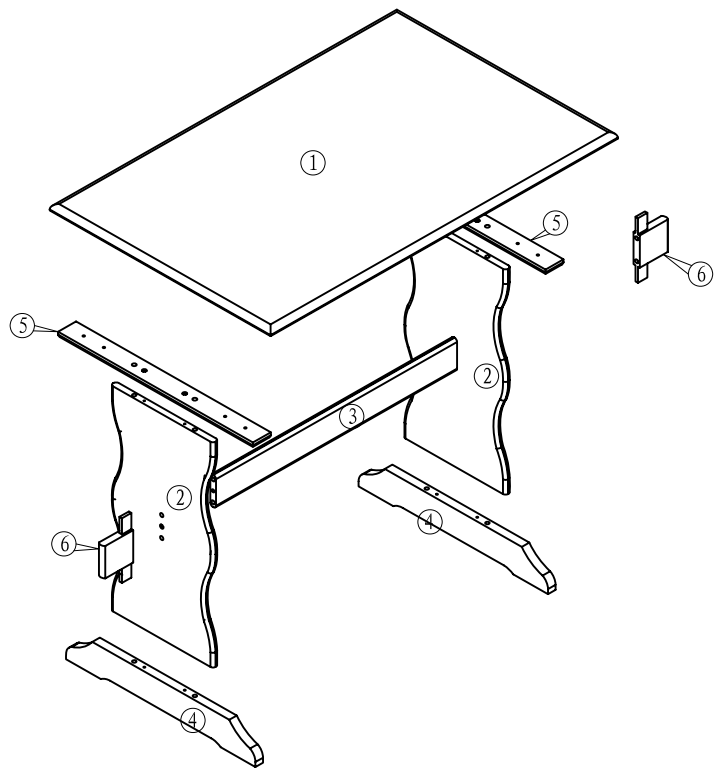
12


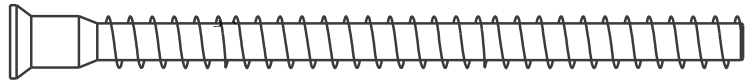
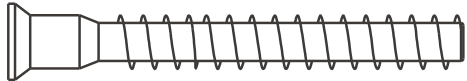
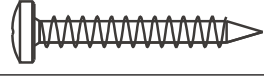





13

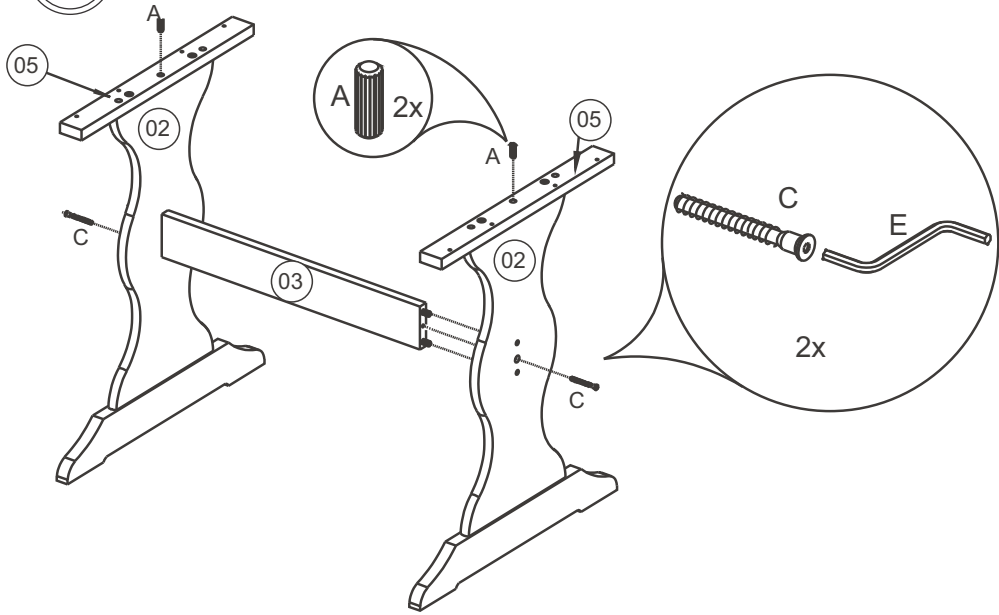




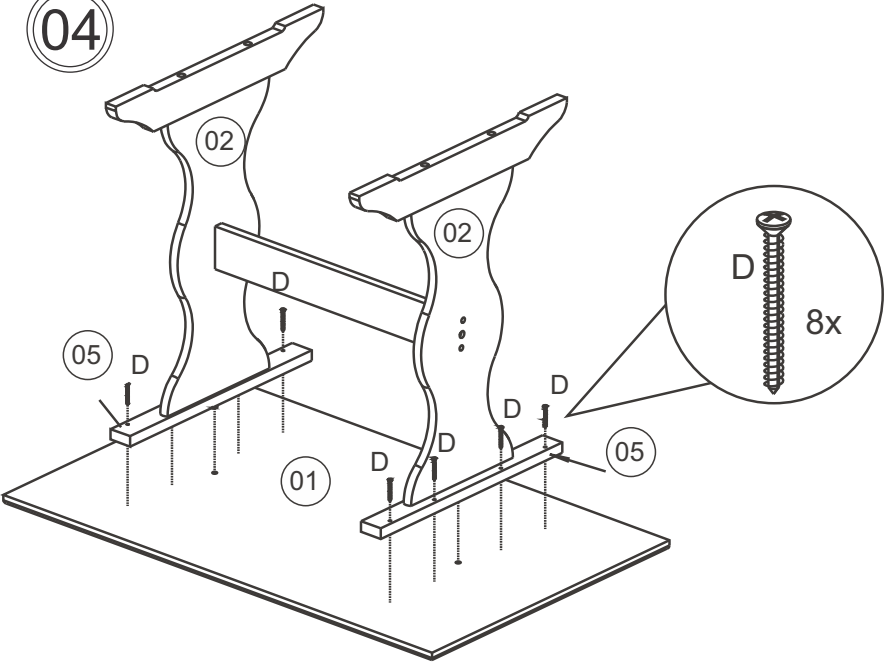


A		Ø10x30mm	10
B		Ø7,0x100mm	04
C		Ø7,0x60mm	06
D		Ø4,0x30mm	08
E			01
F			01
G		Ø10x50mm	04

03



04



05

