


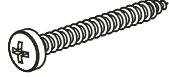

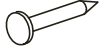
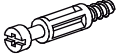




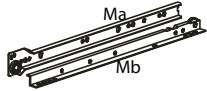
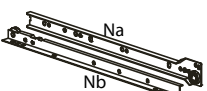
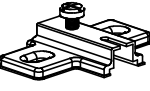

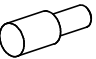




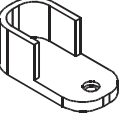


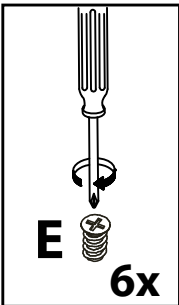
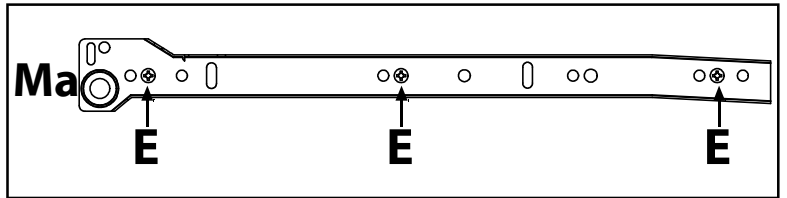
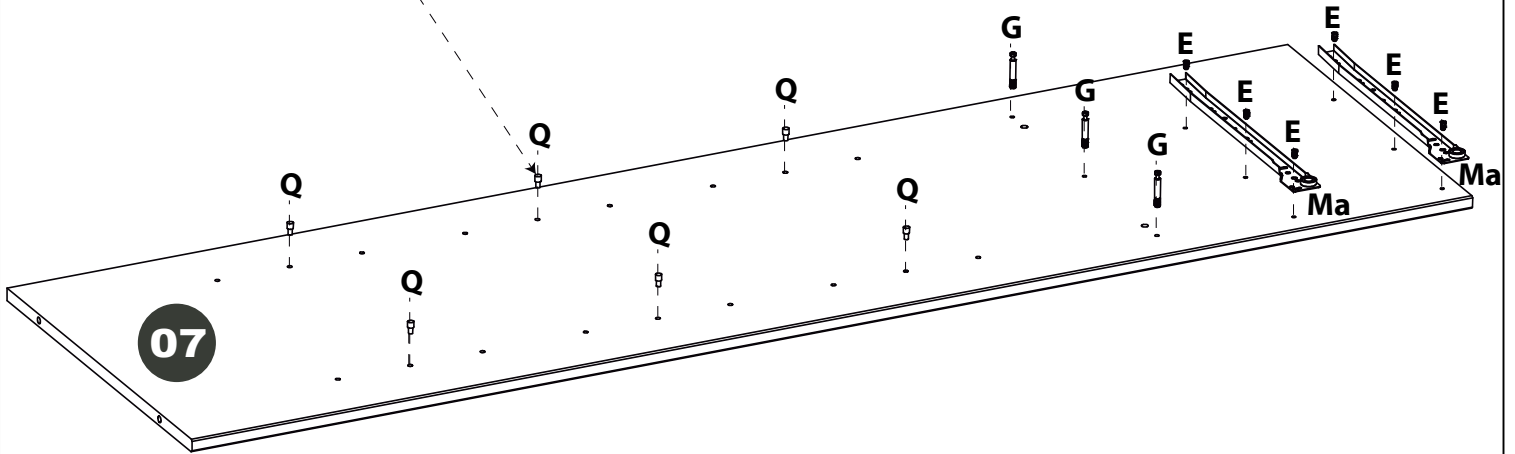
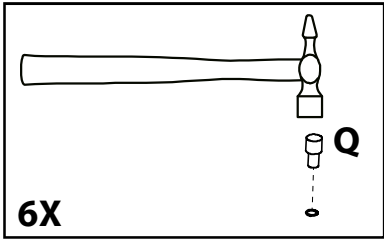
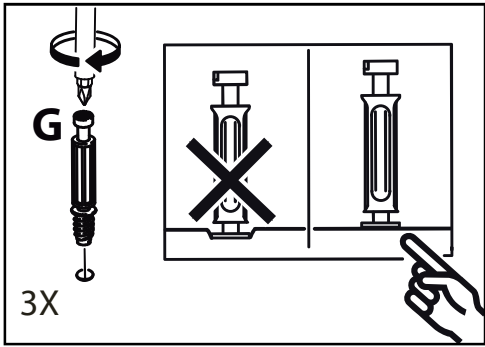

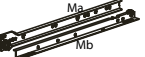




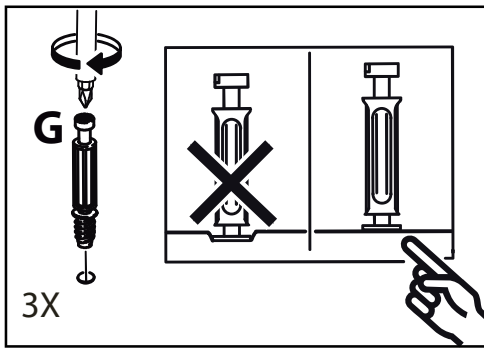
A=32  8,0 x 30mm	B=18  3,5 x 30mm	C=18  3,0 x 16mm	D=05  4,0 x 40mm	E=12  6,0 x 10mm
F=62  8,0 x 8,0mm	G=18  350mm	H=18  350mm	I=04 	J=02 
L=05 	M=02  350mm	N=02  350mm	O=08 	P=08 
Q=12 	R=36  4,0 x 16mm	S=24  4,0 x 25mm	T=02 	U=12  4,0 x 40mm
V=02 	X=02 	Z=01  842mm		

1

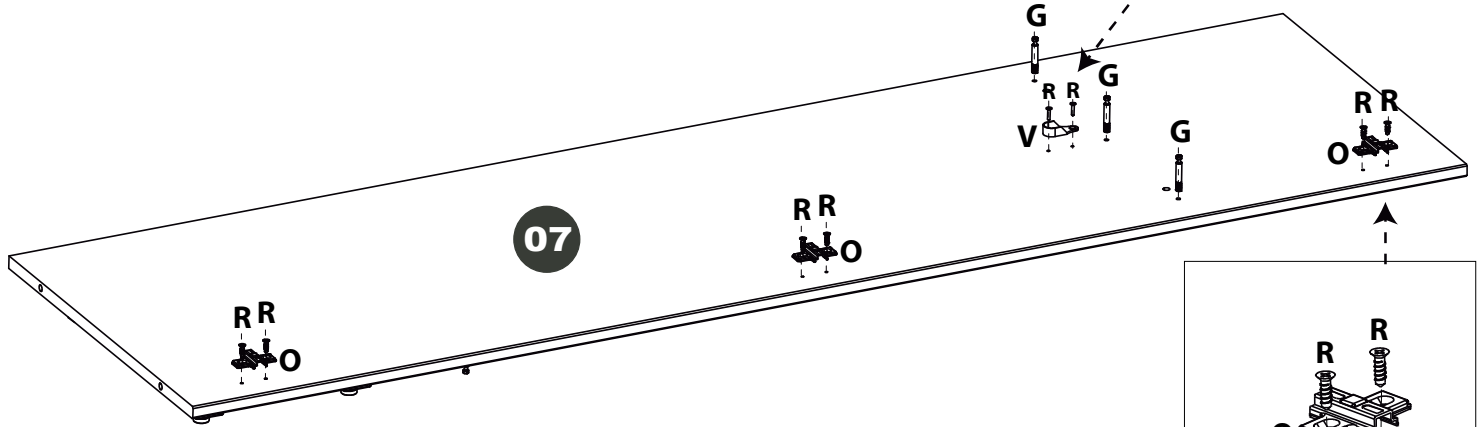
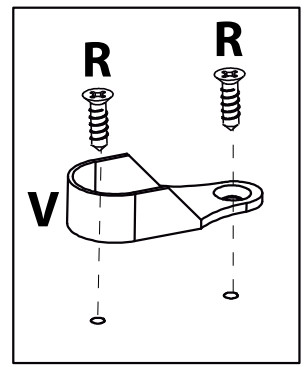


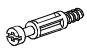


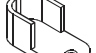
E=06  6,0 x 10mm	M=02  350mm	Q=06 	G=03 
---	---	--	--

2

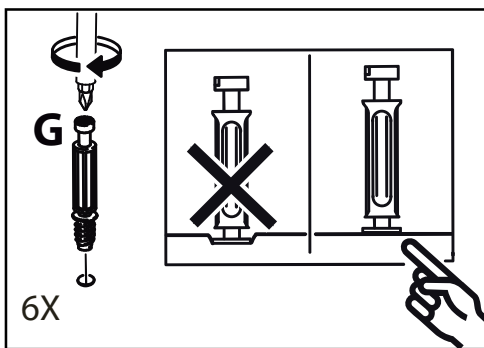


3X

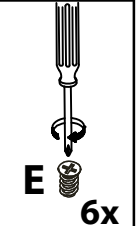
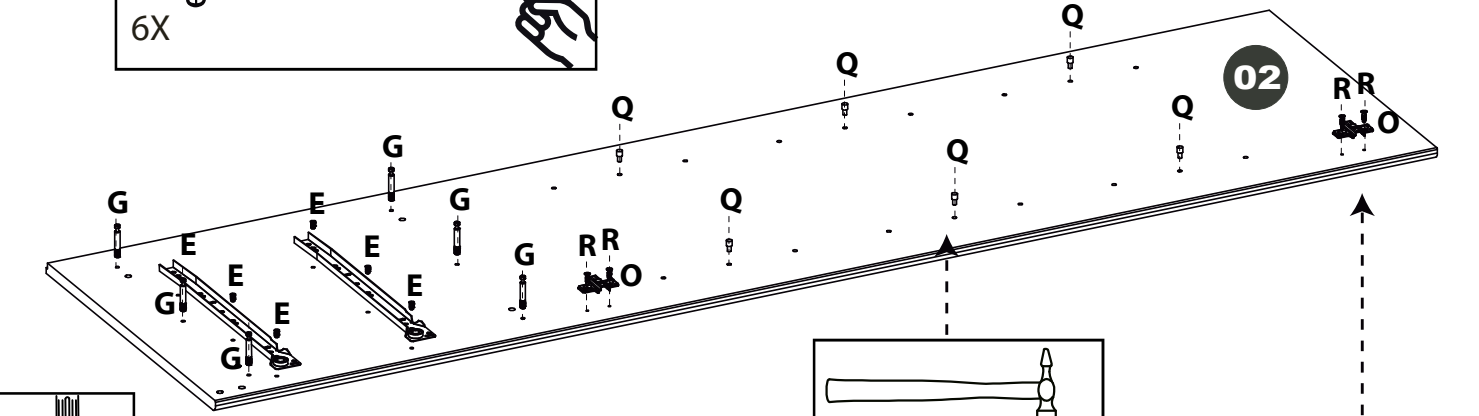
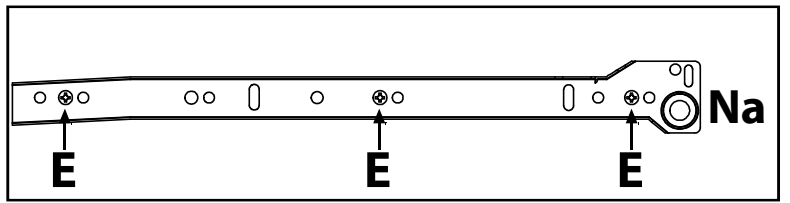


G=03 	R=08  4,0 x 16mm	O=03 	V=01 
---	--	--	--

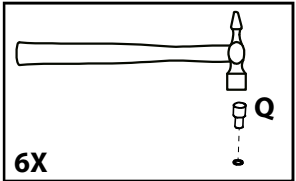
3









6X

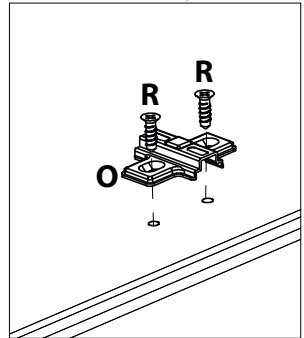


6x

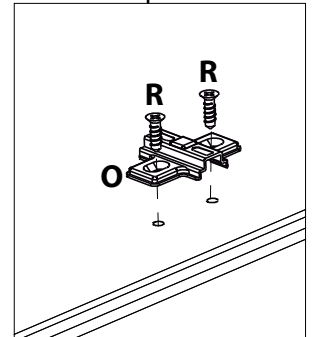
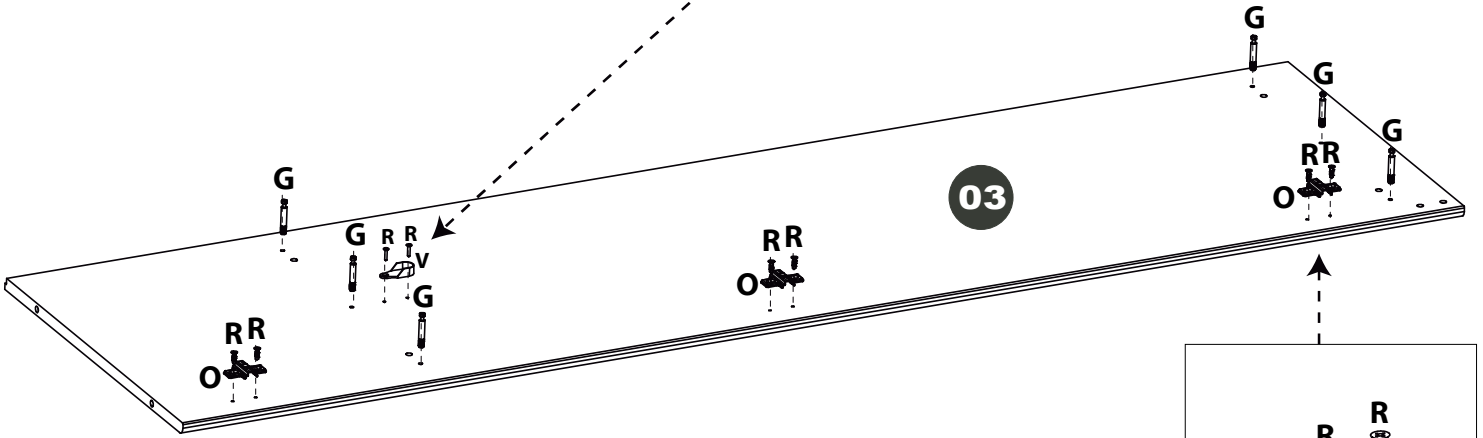
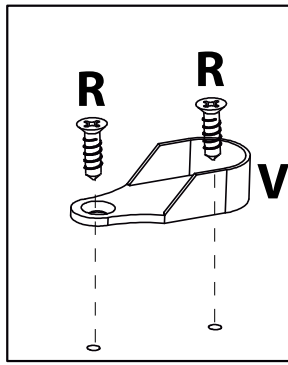
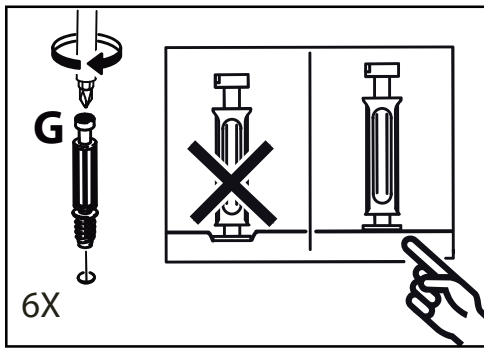





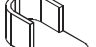
6X

E=06  6,0 x 10mm	N=02  350mm	G=06 	Q=06 	R=04  4,0 x 16mm	O=02 
---	---	--	--	--	--

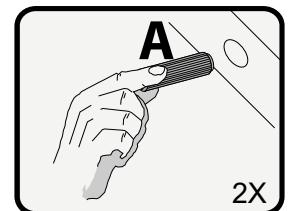
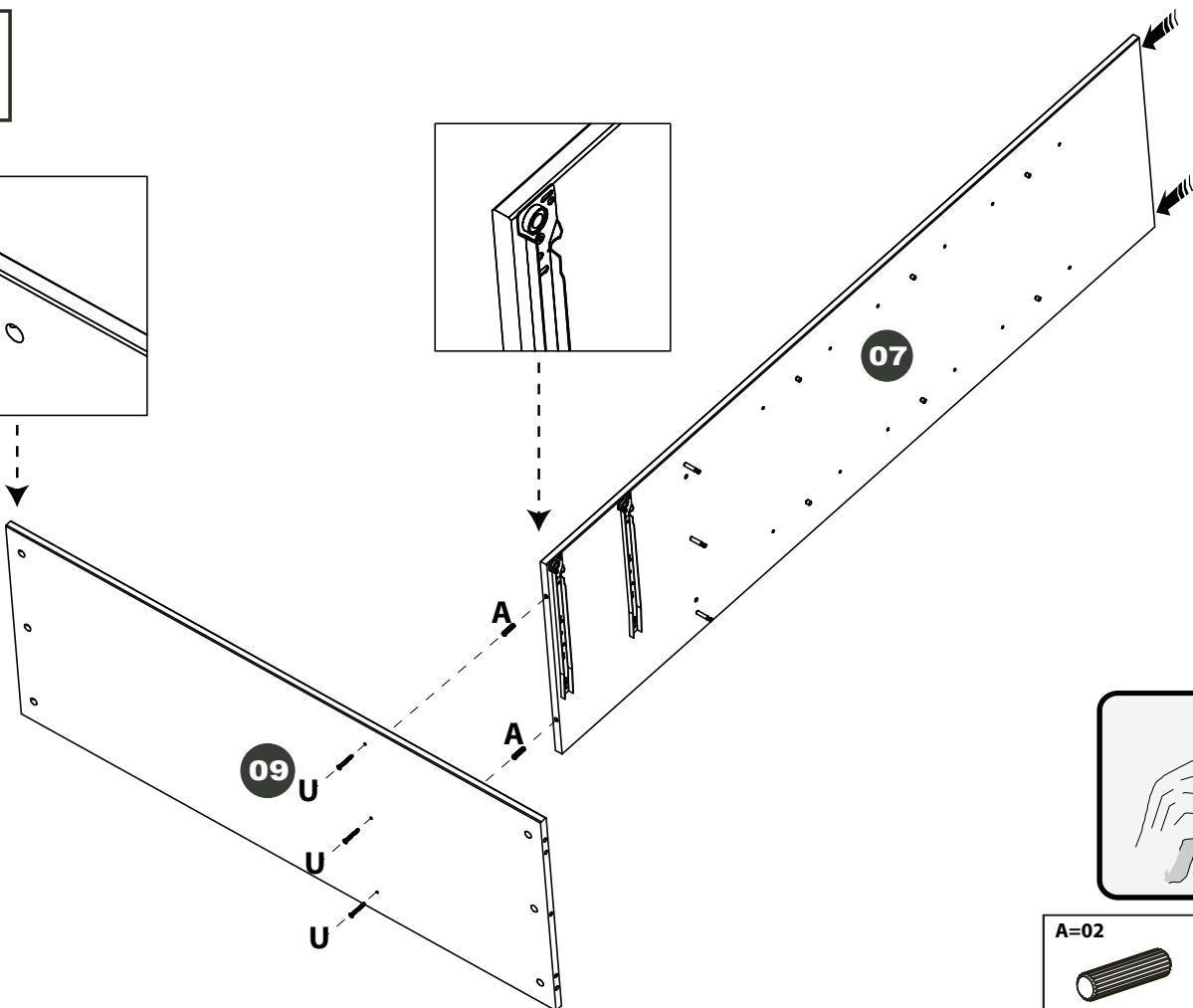
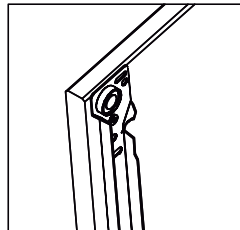
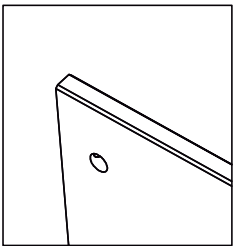




4



G=06 	R=08  4,0 x 16mm	O=03 	V=01 
---	--	--	--

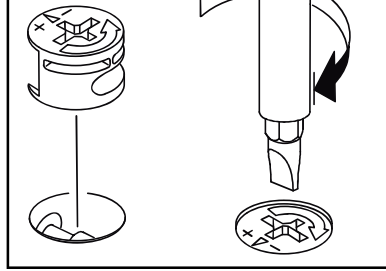
5



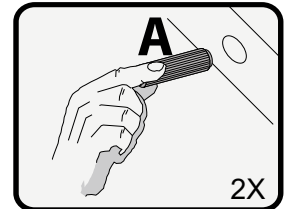
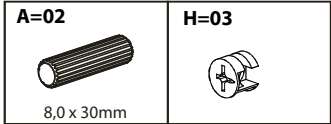
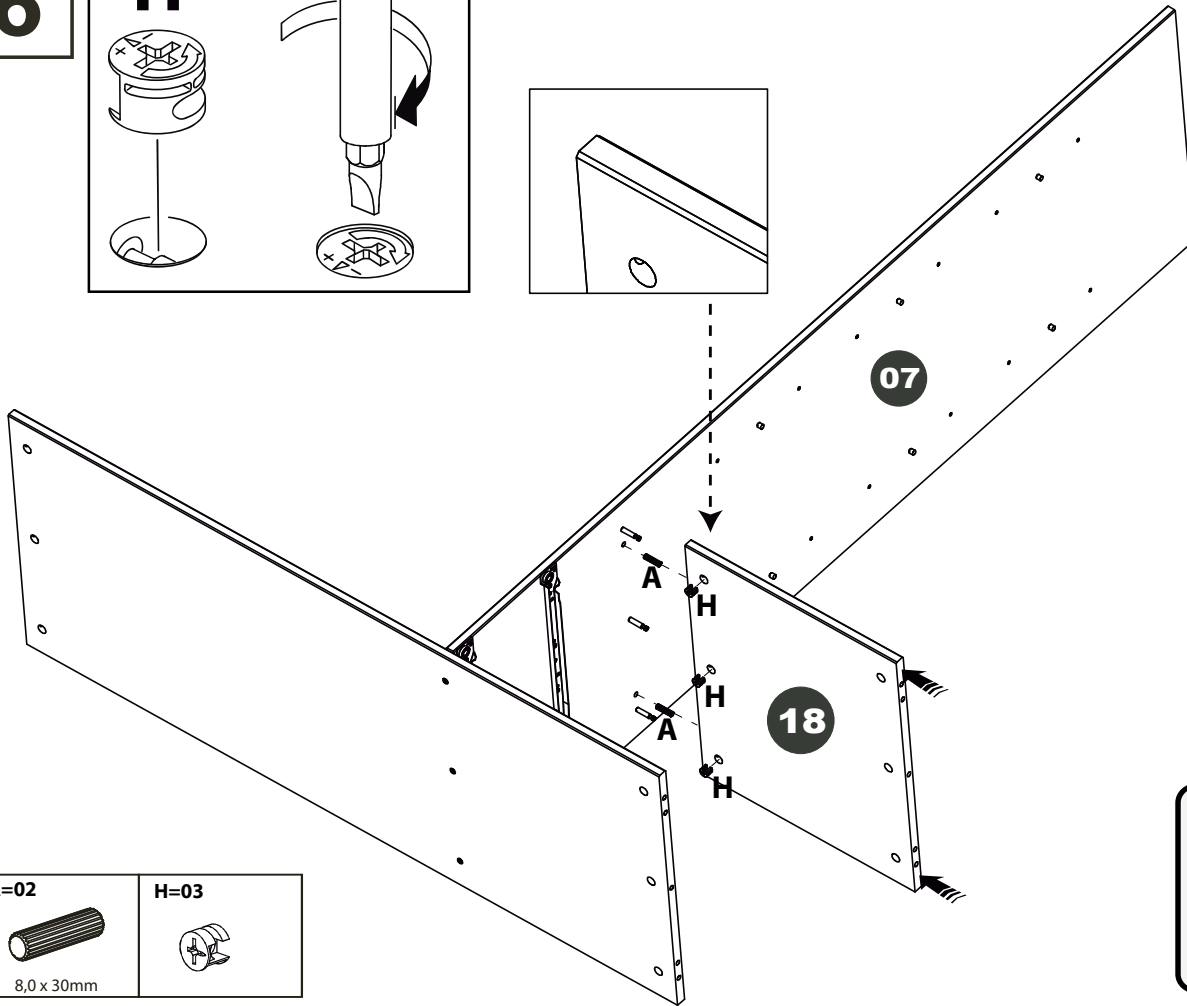
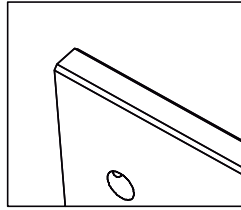
A=02  8,0 x 30mm	U=03  4,0 x 40mm
--	--

6

H

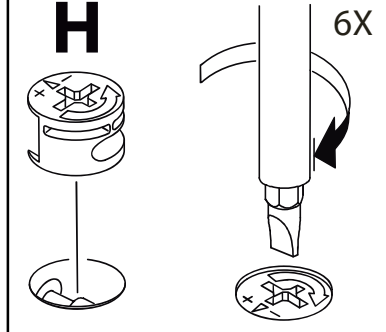


3X

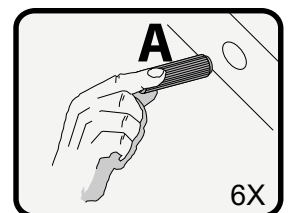
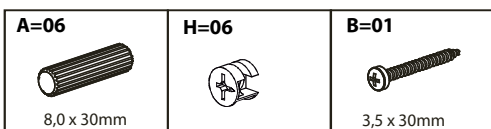
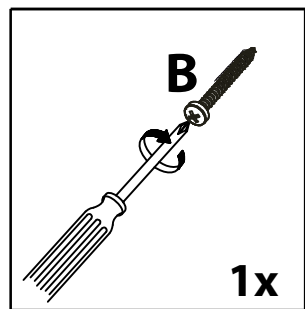
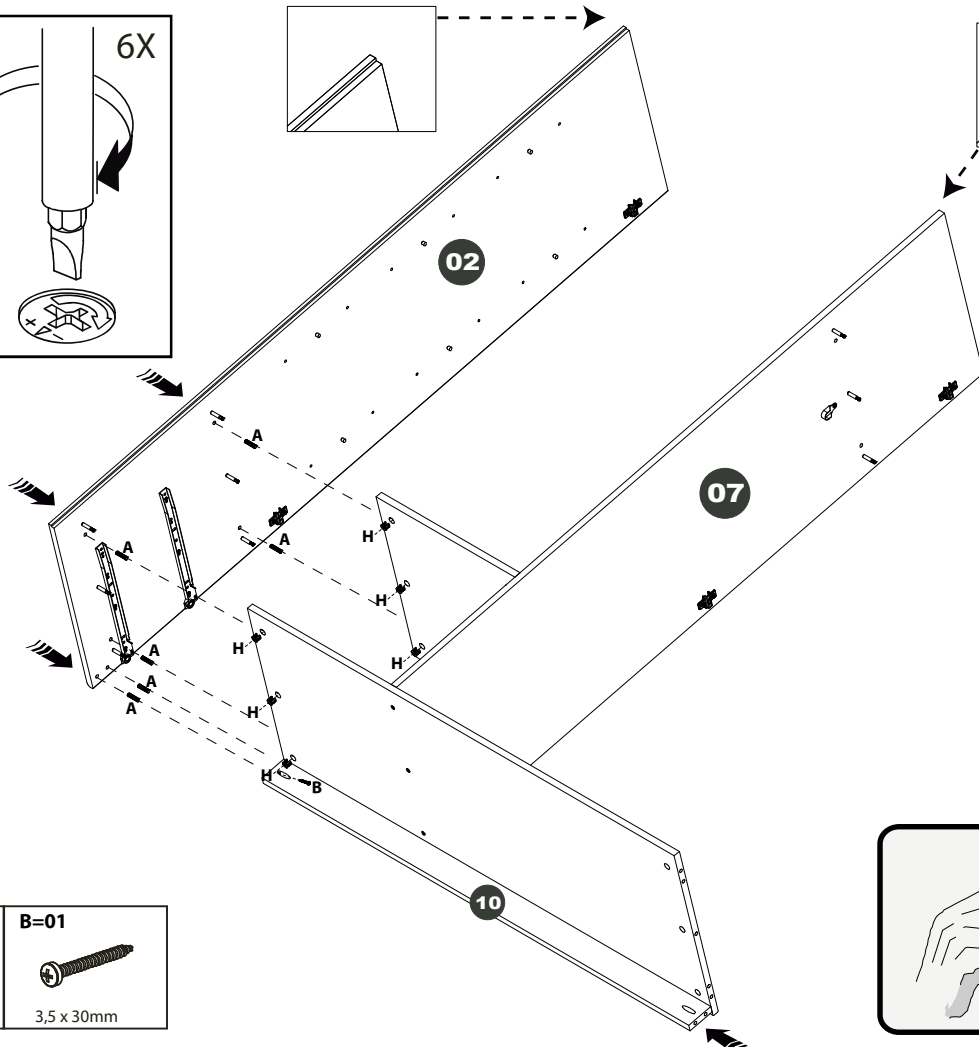
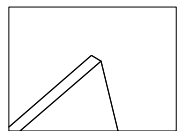
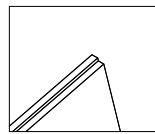


7

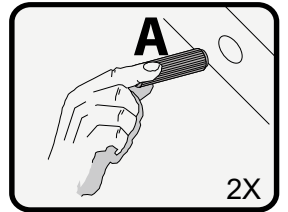
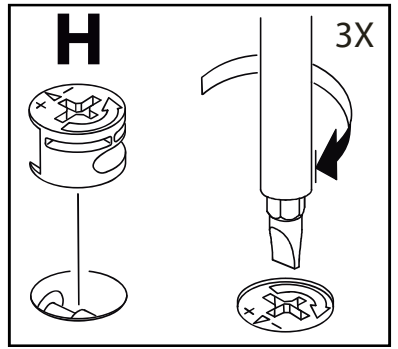
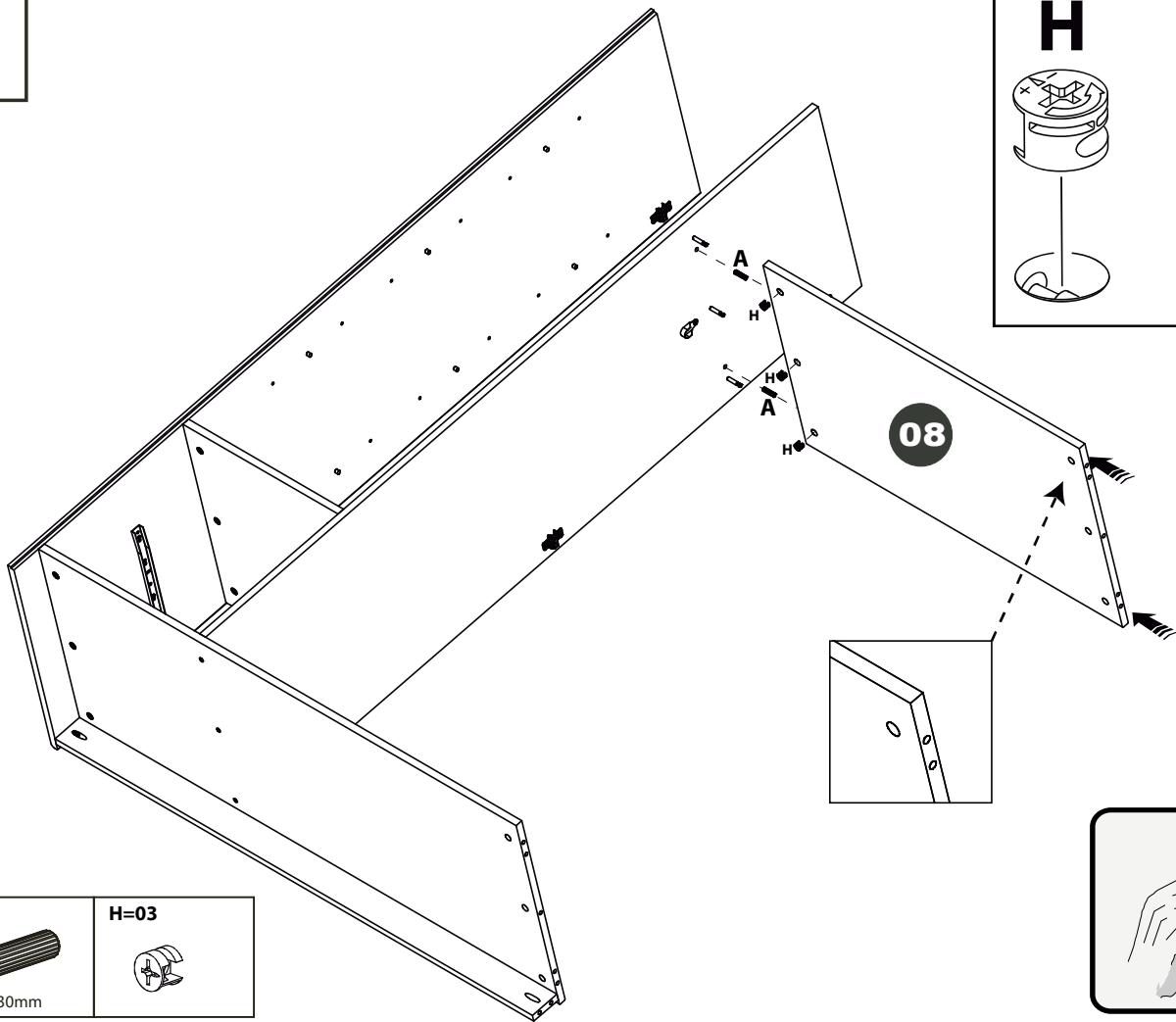
H





6X

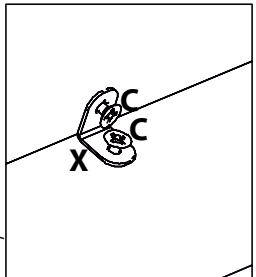
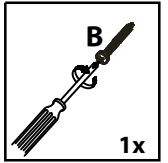
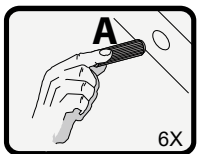
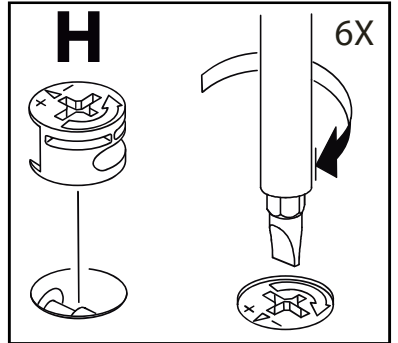
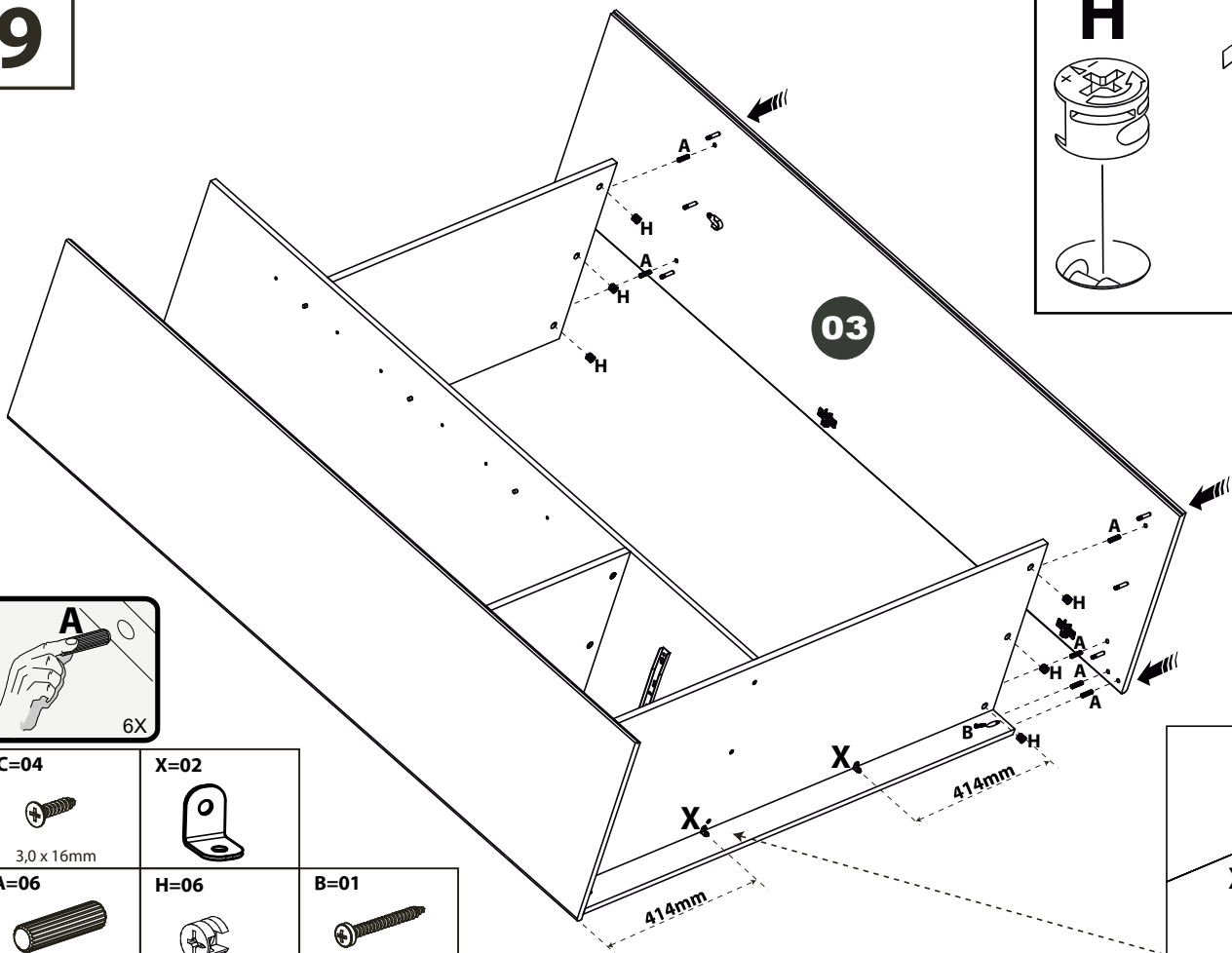







8



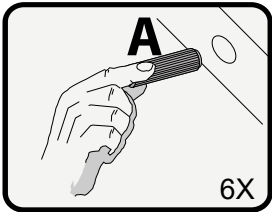
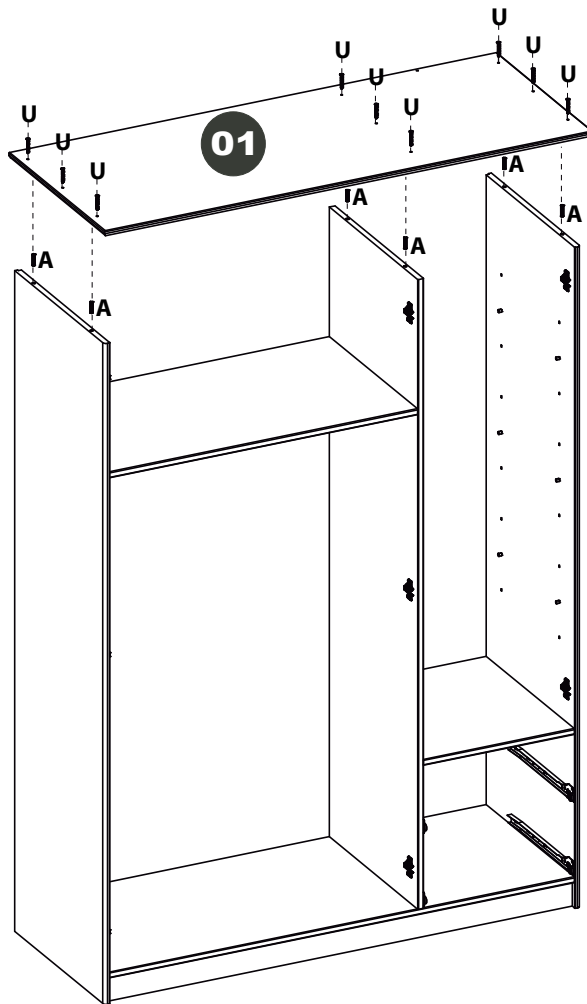
<p>A=02</p>  <p>8,0 x 30mm</p>	<p>H=03</p> 
---	--

9



<p>C=04</p>  <p>3,0 x 16mm</p>	<p>X=02</p> 
<p>A=06</p>  <p>8,0 x 30mm</p>	<p>H=06</p> 
<p>B=01</p>  <p>3,5 x 30mm</p>	

10



A=06



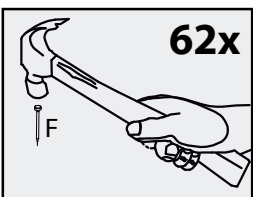
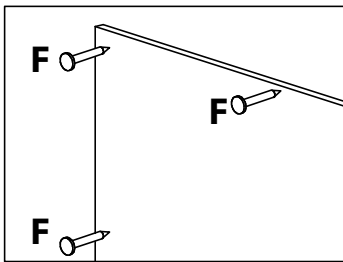
8,0 x 30mm

U=09



4,0 x 40mm

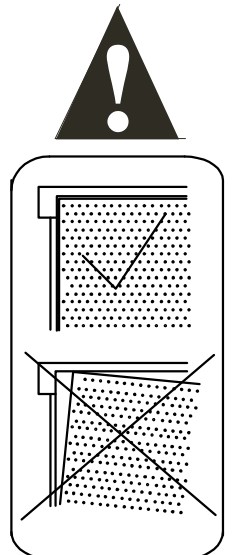
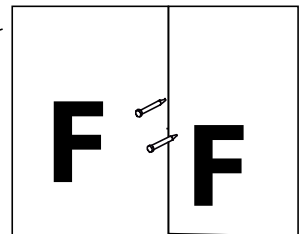
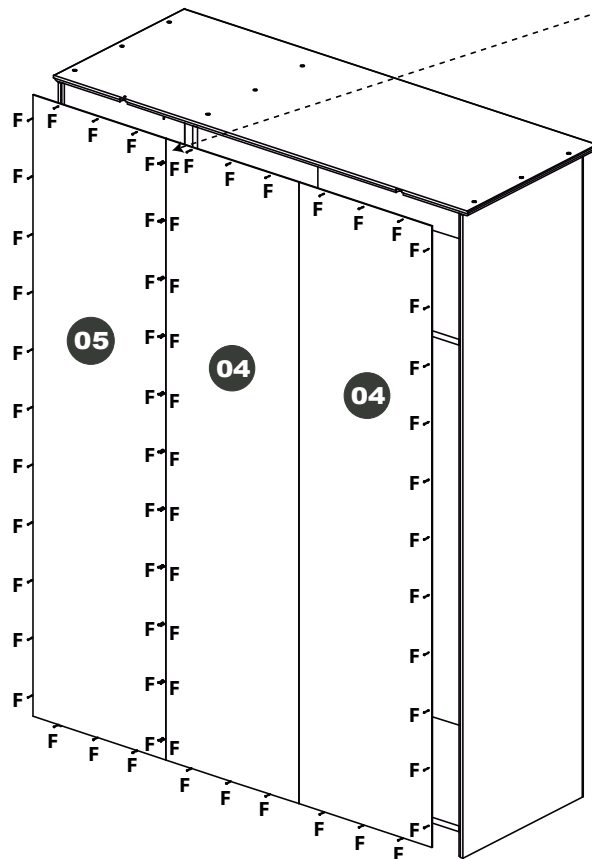
11



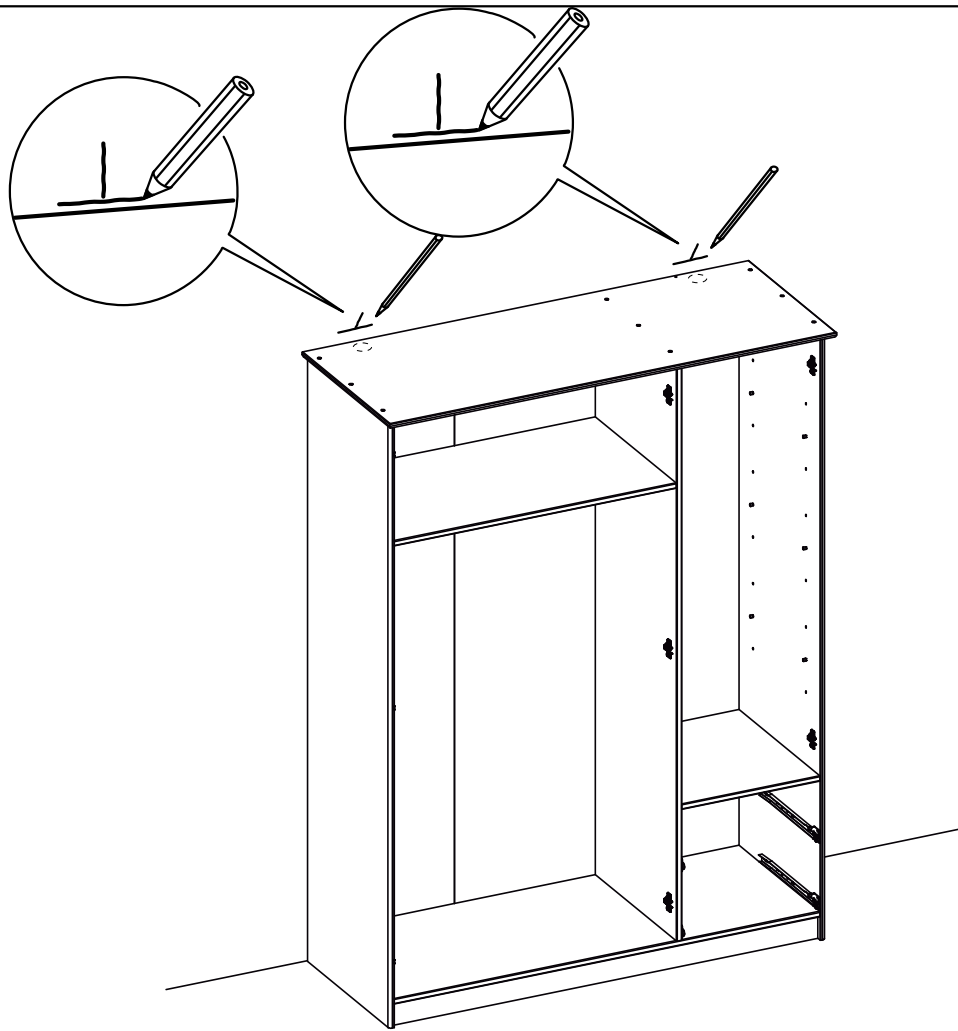
F=62



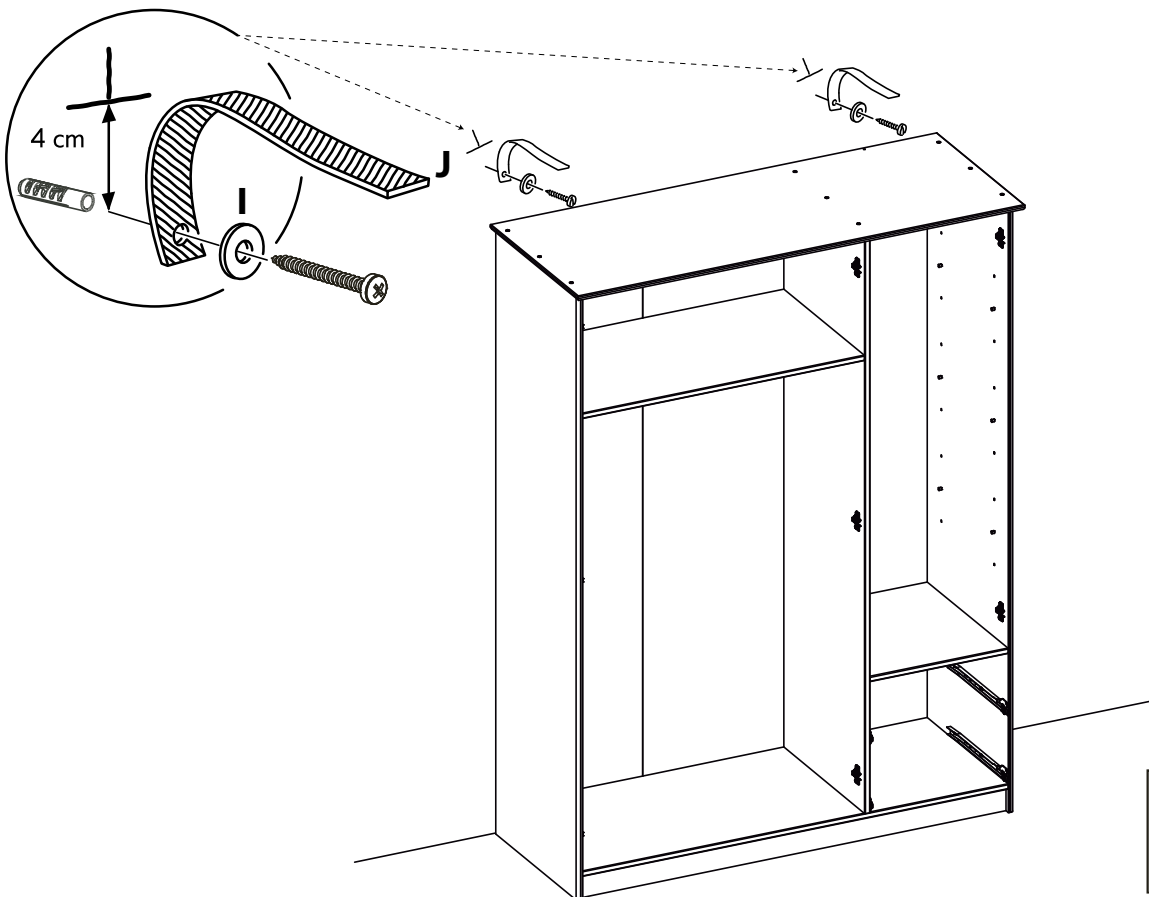
8,0 x 8,0mm





12

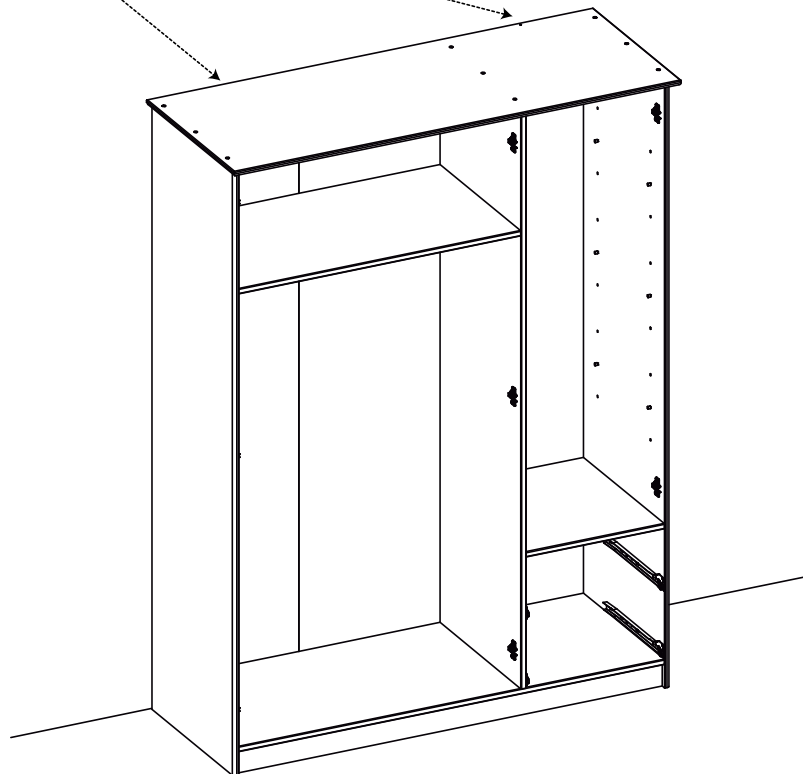
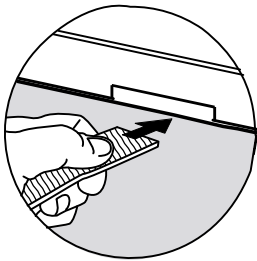


13

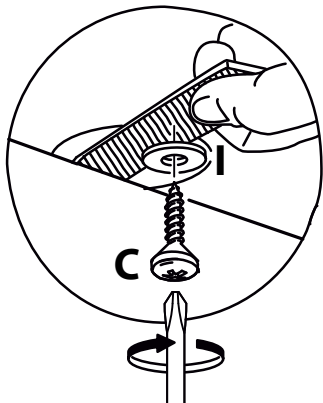




I=02	J=02
	

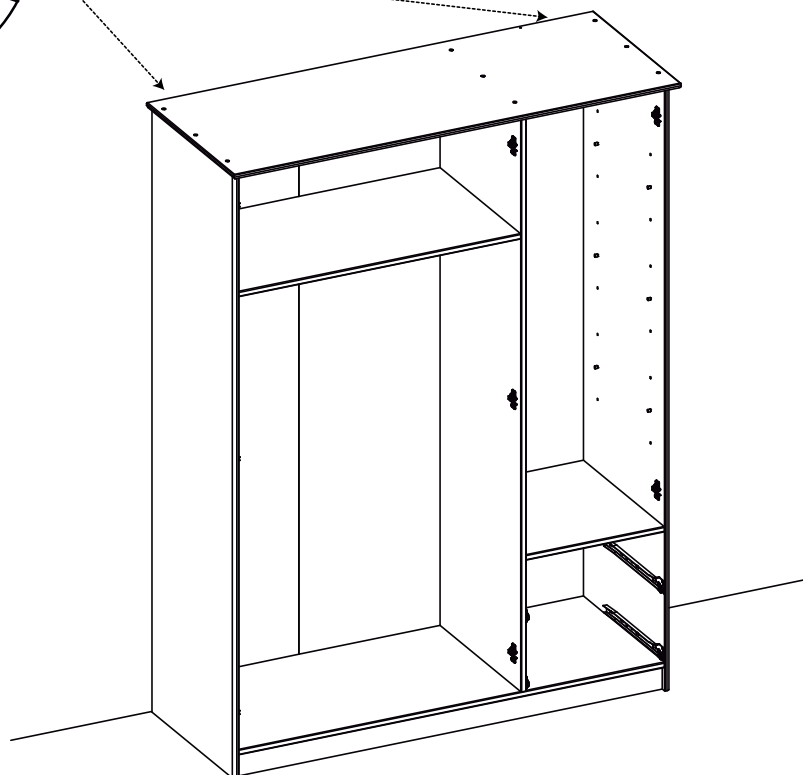
14



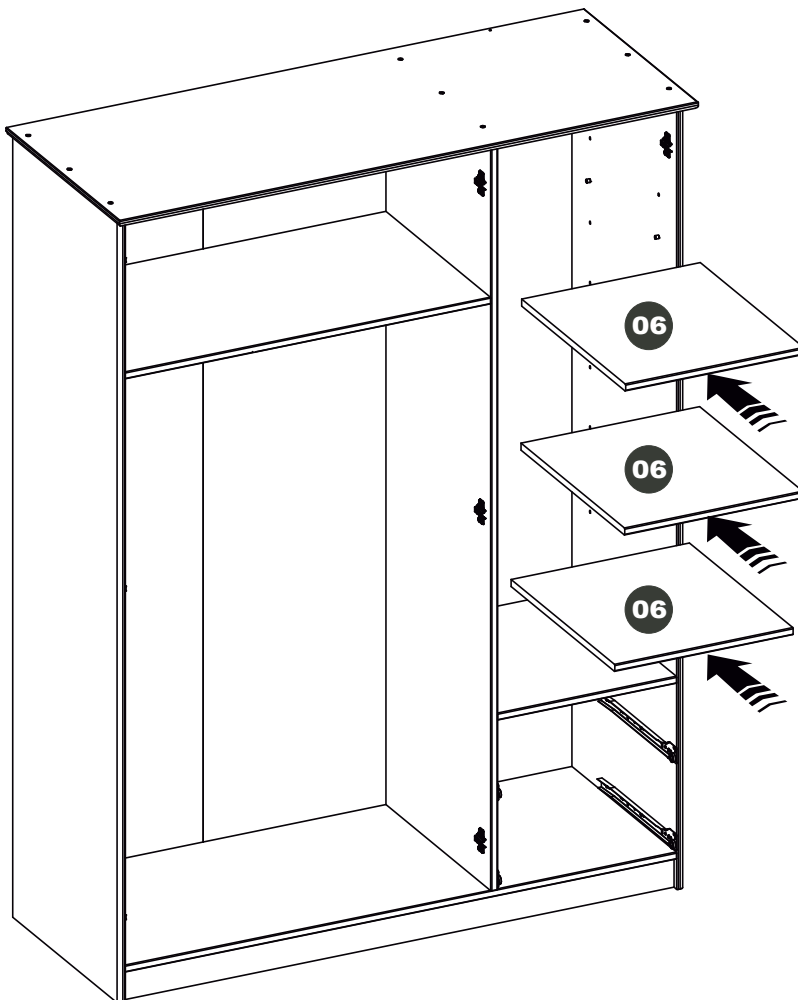
15



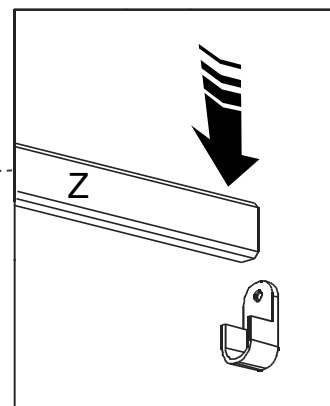
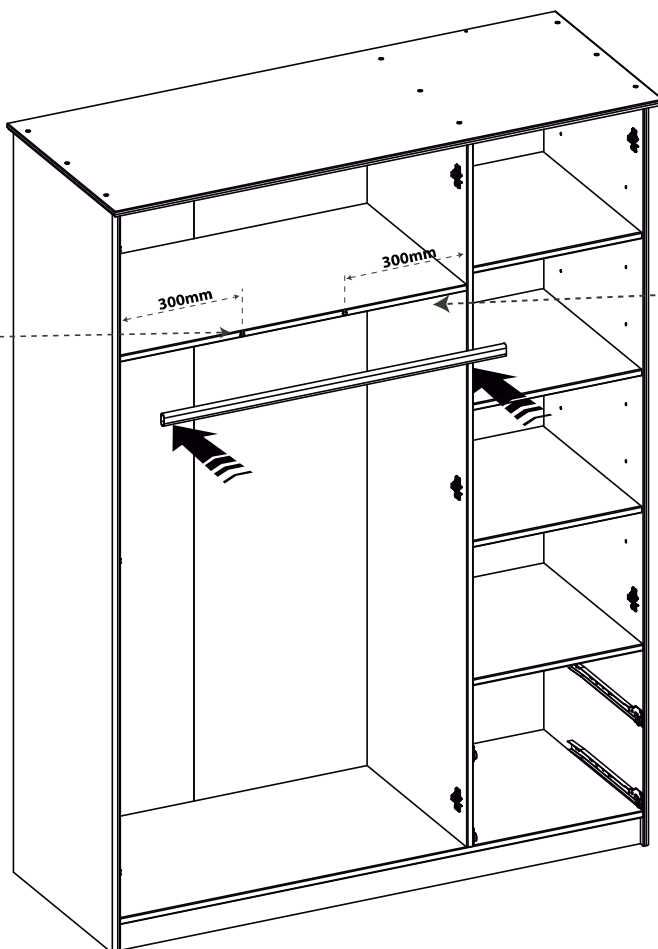
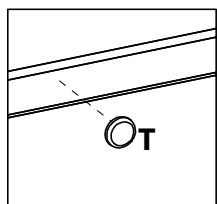
C=02	I=02
	
3,0 x 16mm	



16



17



Z=01

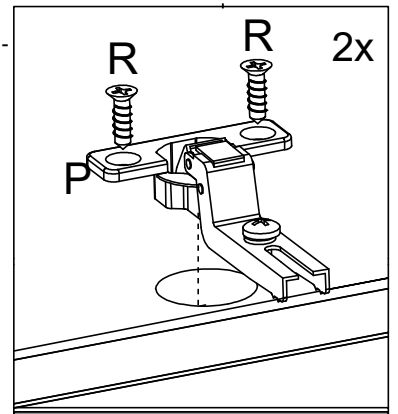
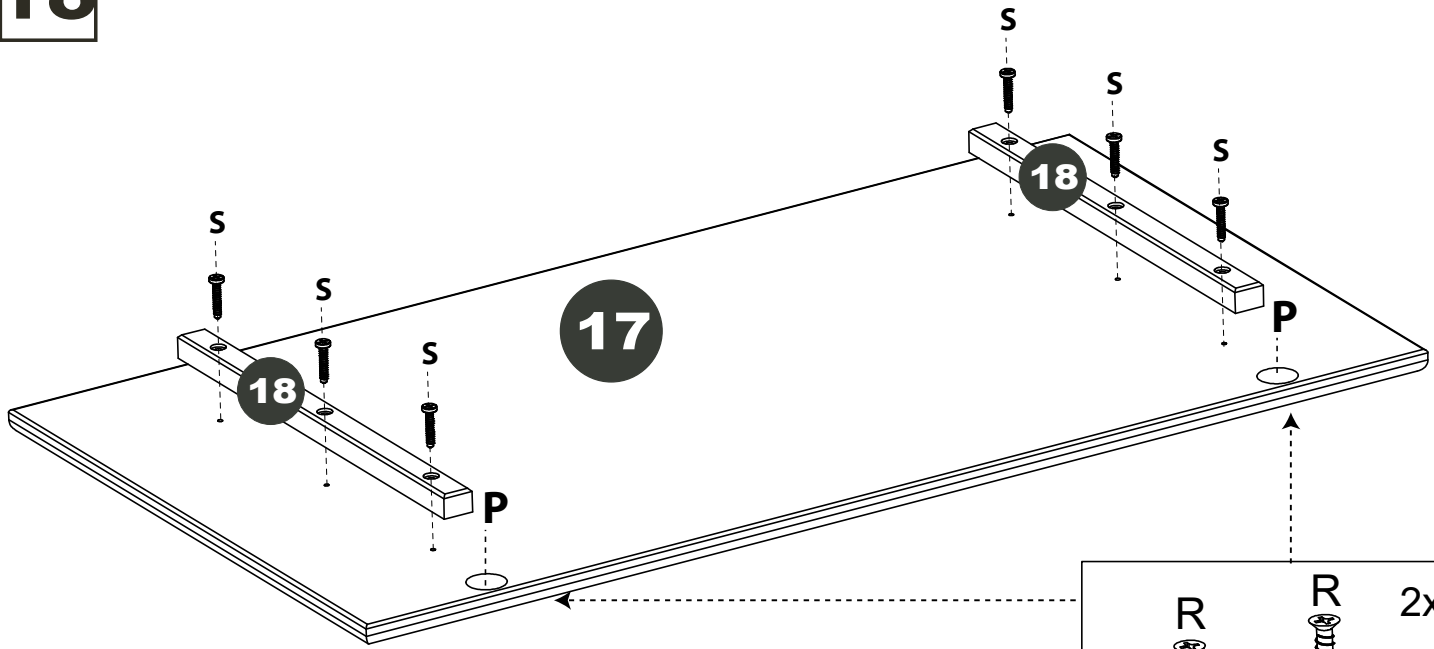





842mm

T=02



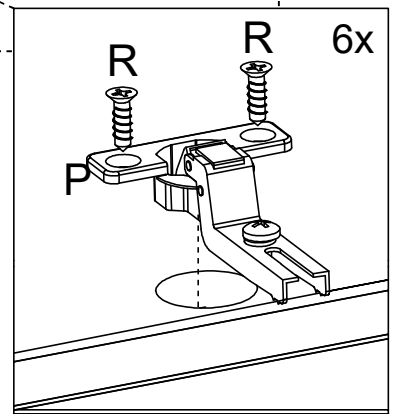
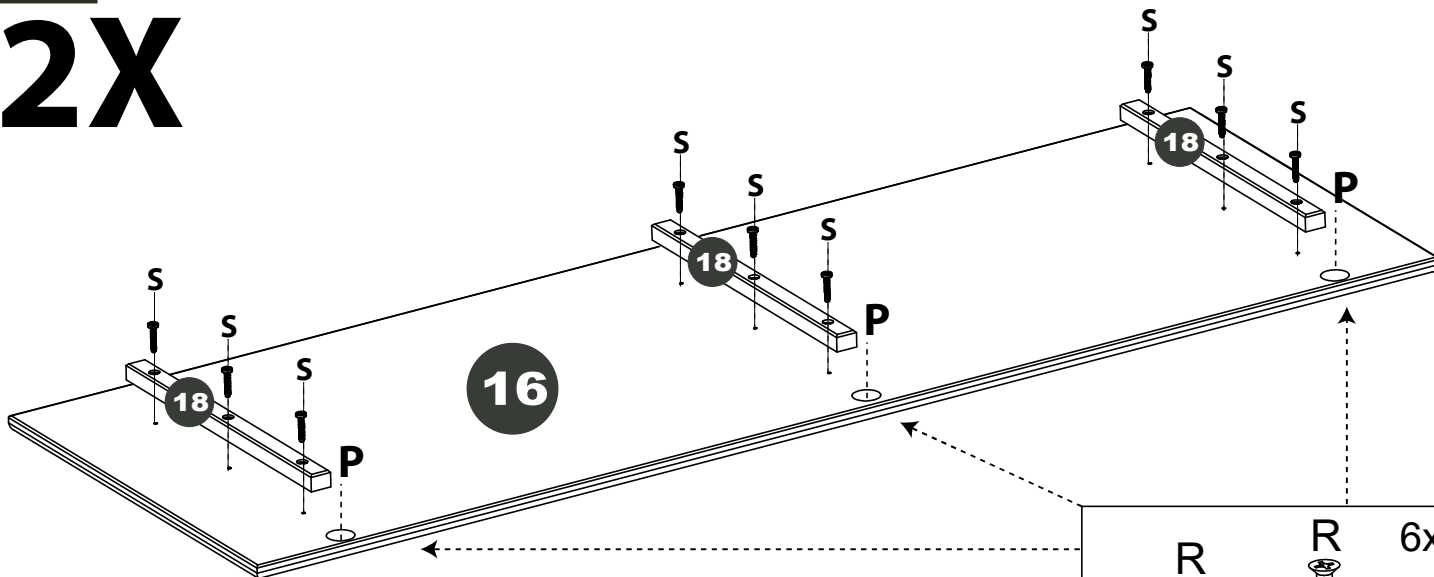
18






<p>P=02</p> 	<p>R=04</p>  <p>4,0 x 16mm</p>	<p>S=06</p>  <p>4,0 x 25mm</p>
--	---	---

19

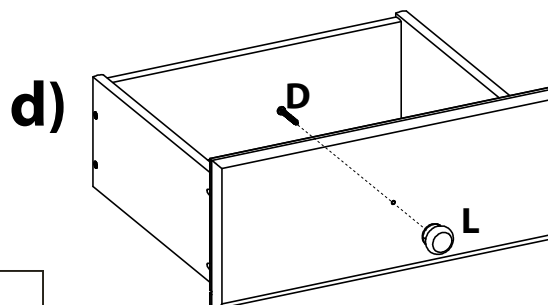
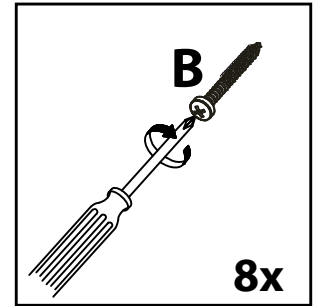
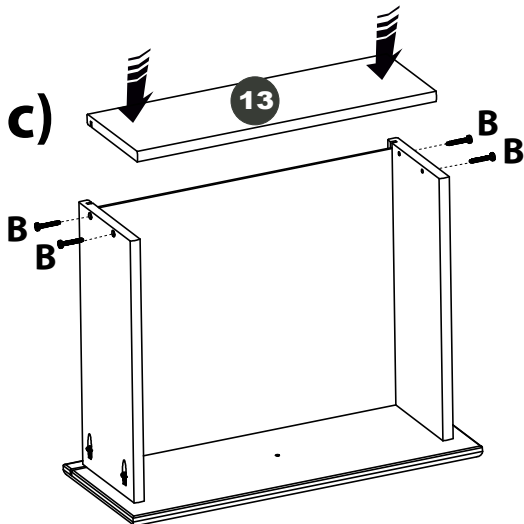
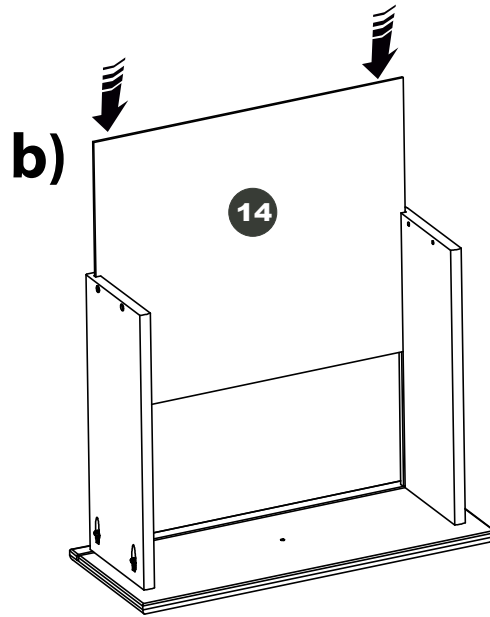
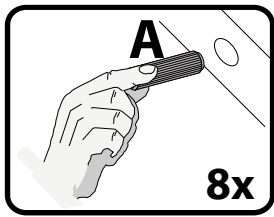
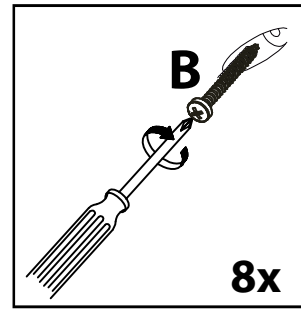
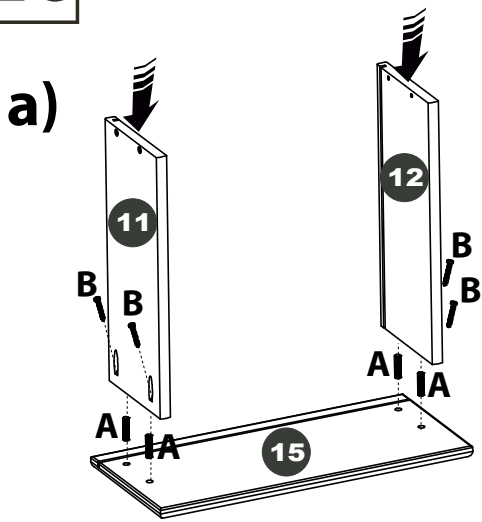
2X







<p>P=06</p> 	<p>R=12</p>  <p>4,0 x 16mm</p>	<p>S=18</p>  <p>4,0 x 25mm</p>
--	---	---

20

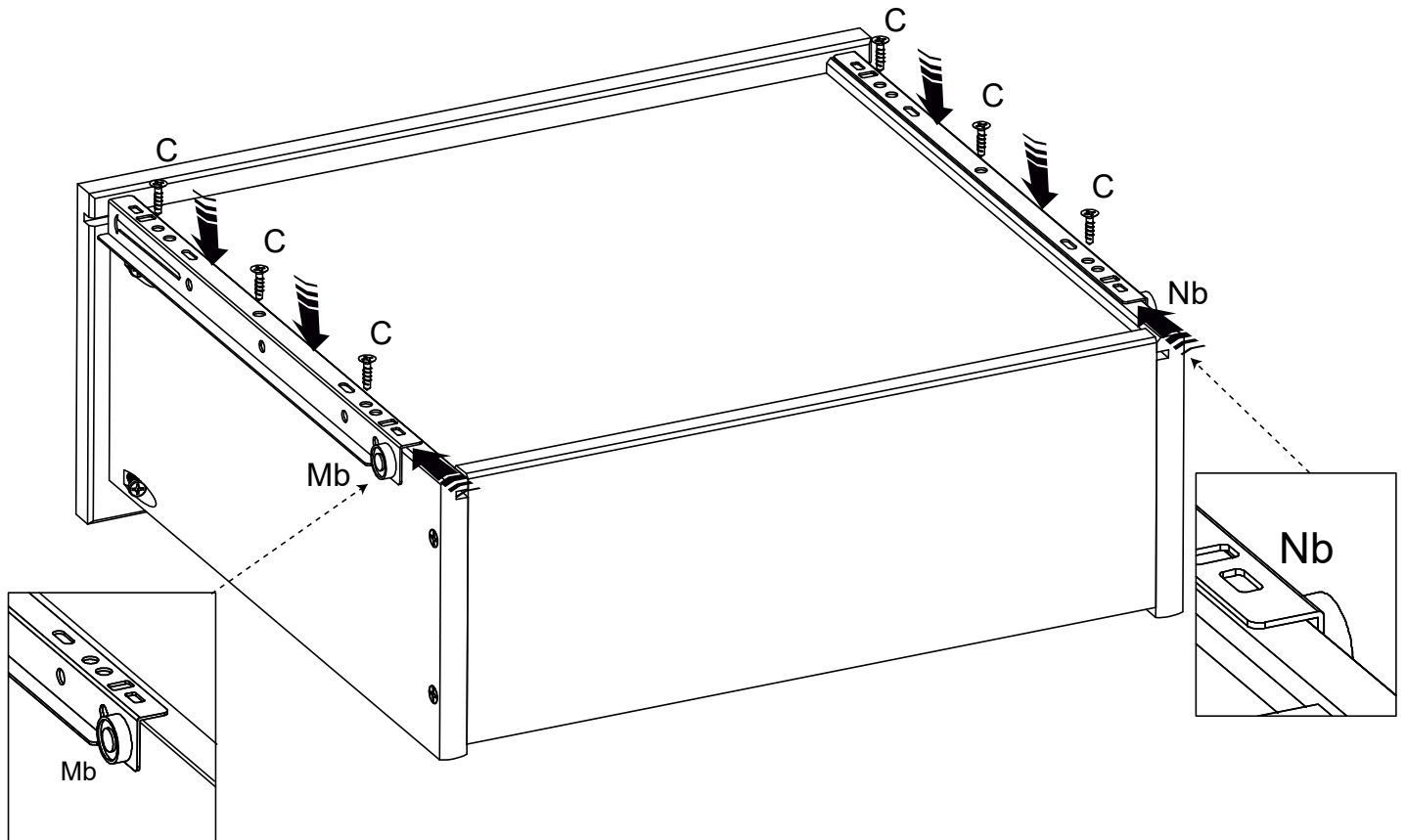
2X



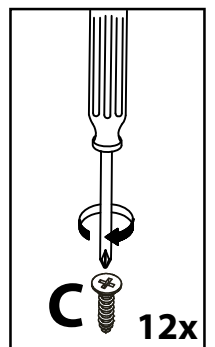
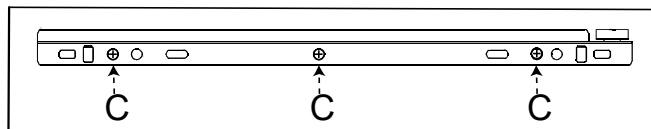
L=02	D=02	A=08	B=16
			
	4,0 x 40mm	8,0 x 30mm	3,5 x 30mm

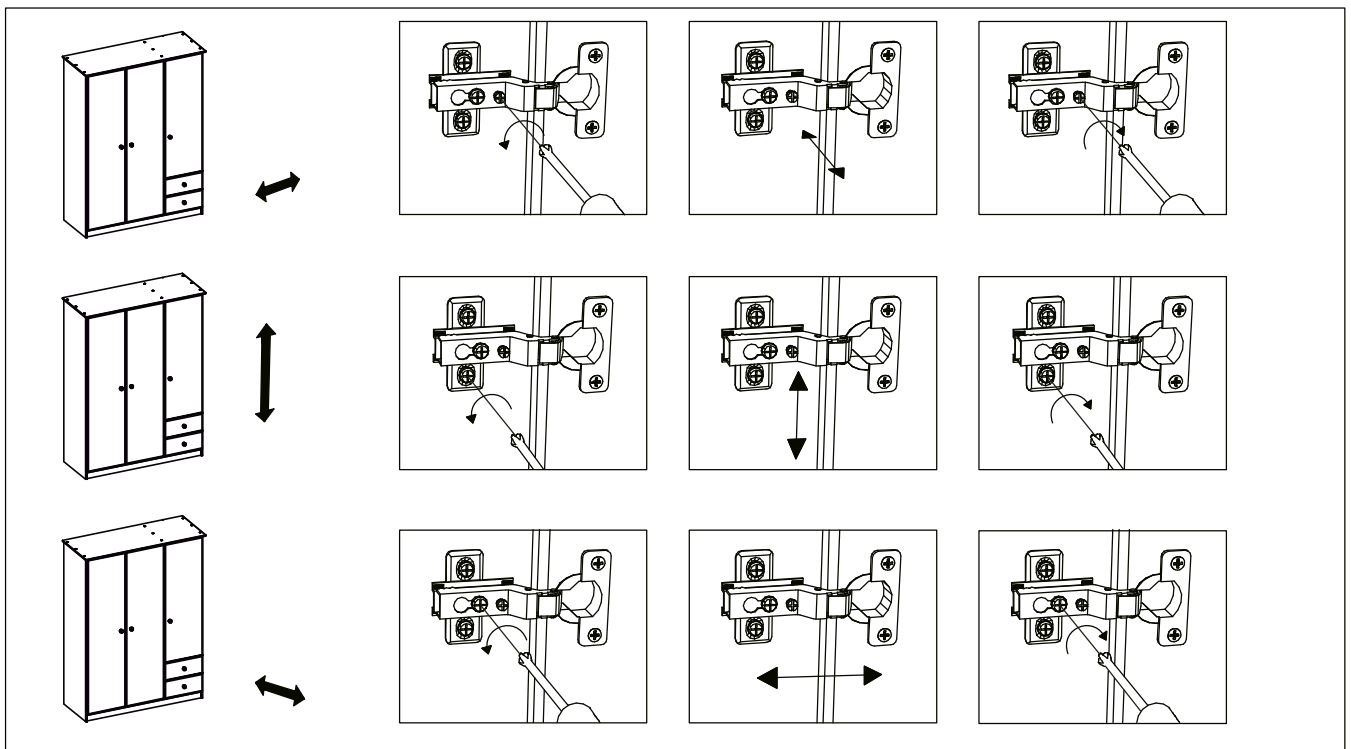
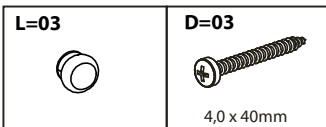
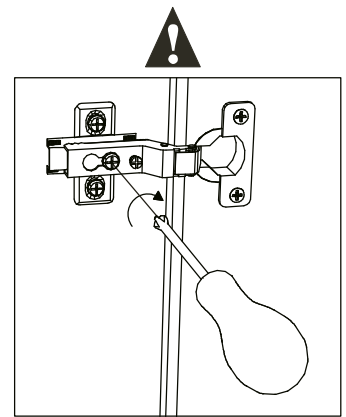
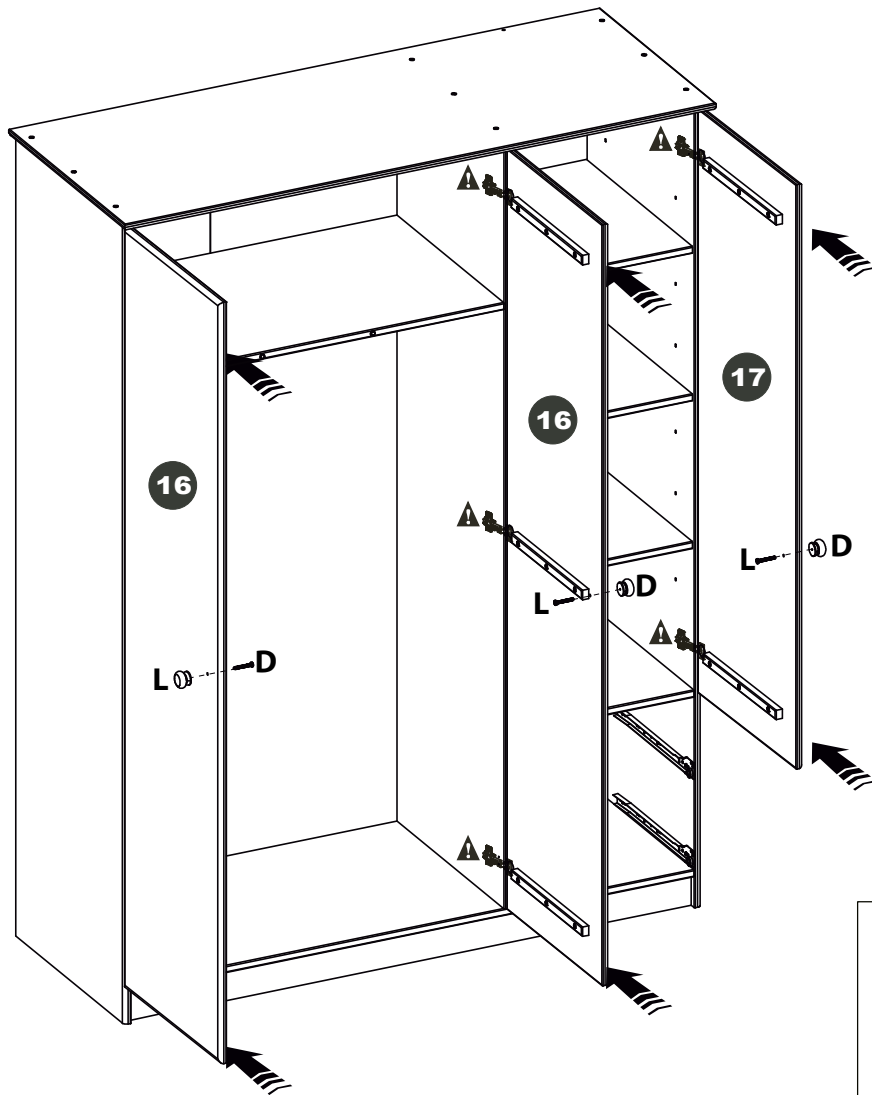
21

2X



M=02 350mm	N=02 350mm	C=12 3,0 x 16mm
--------------------------	--------------------------	-------------------------------





23

