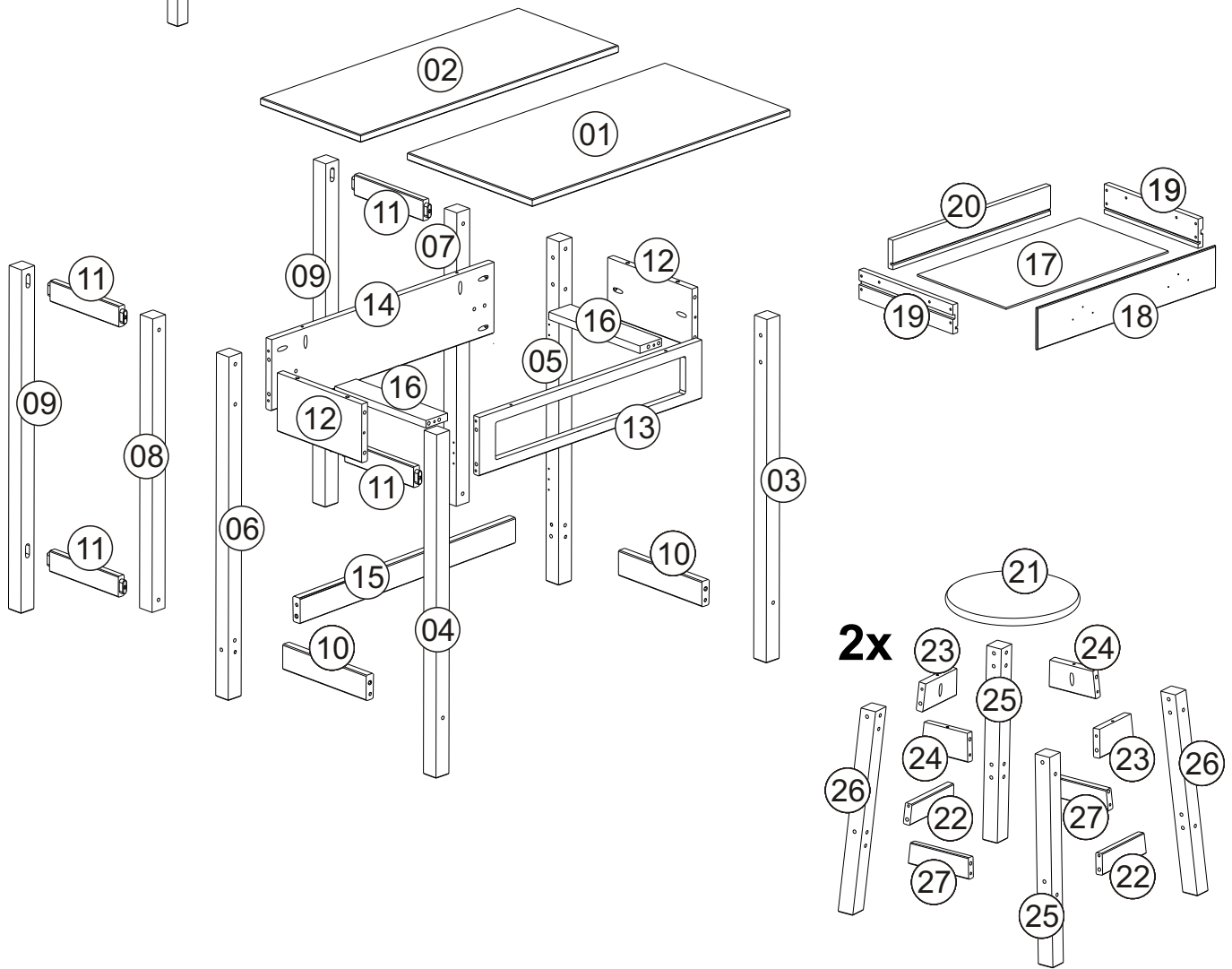
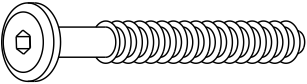
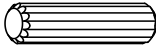


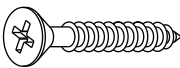
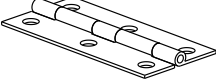
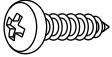
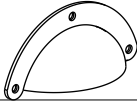




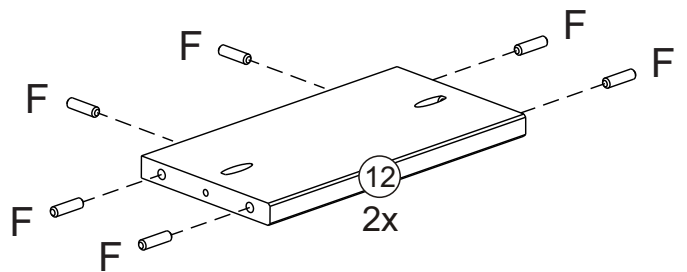
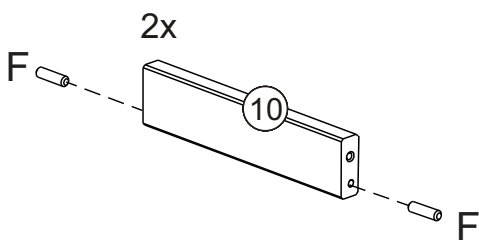
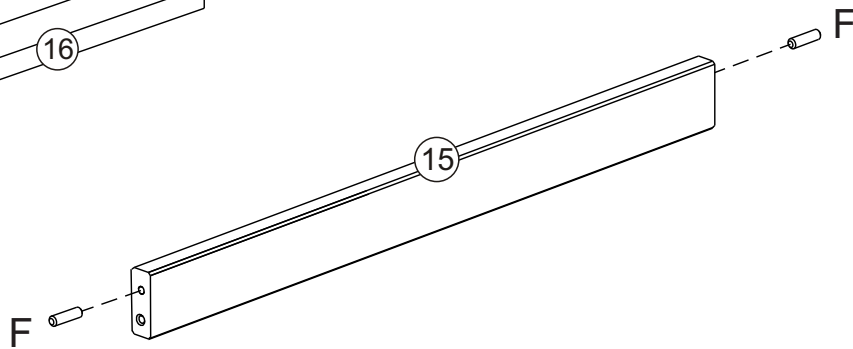
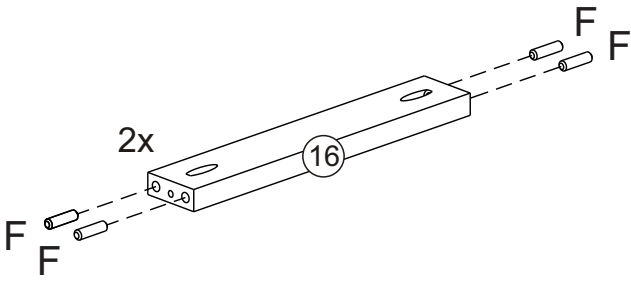
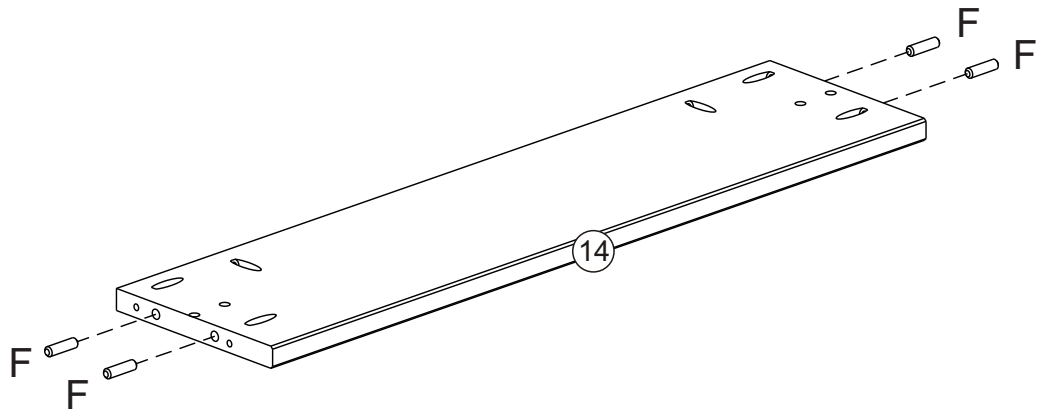
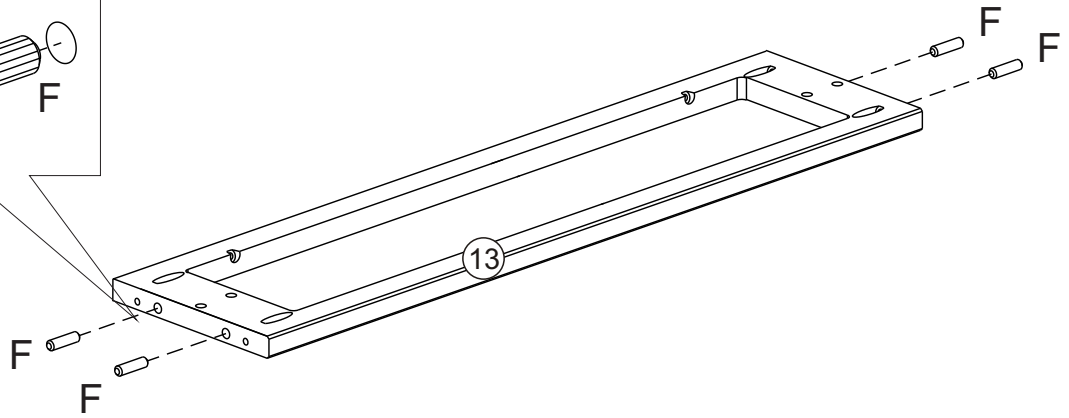
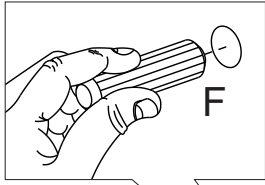
2x




2x

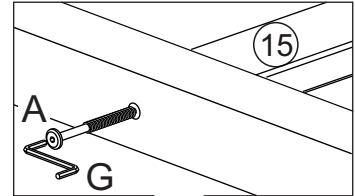
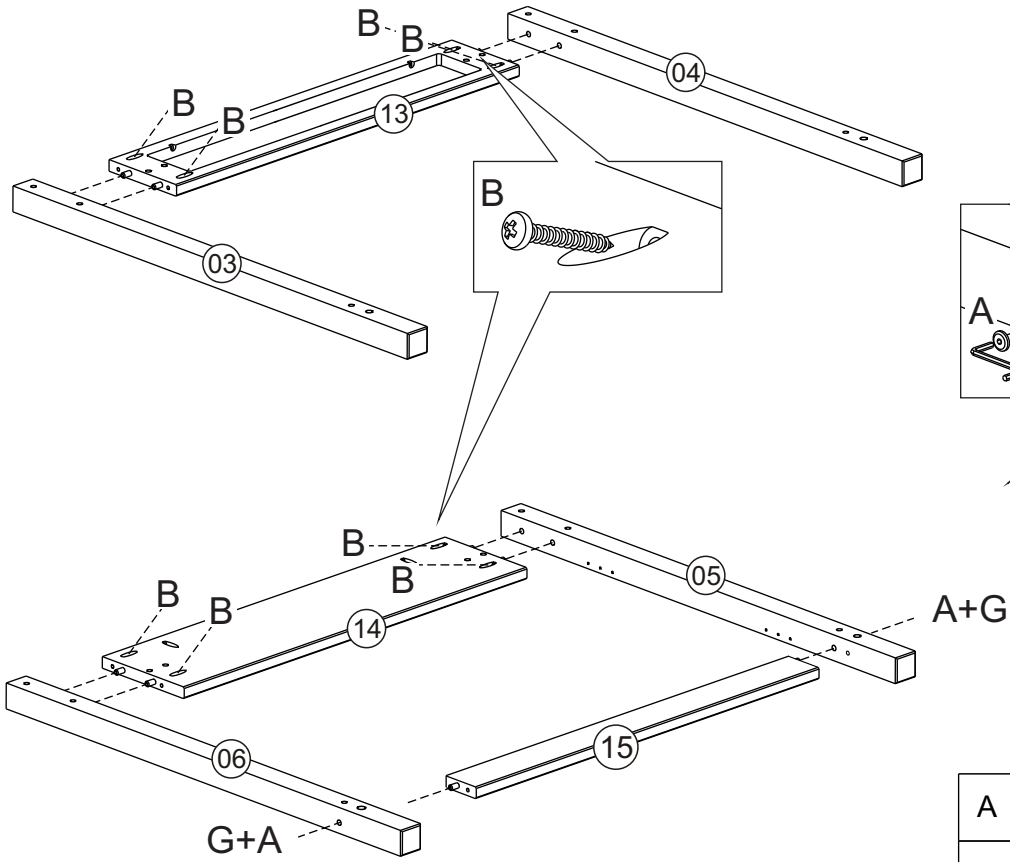
A	 7,0 x 70mm	46	F	 8,0 x 30mm	68
B	 4,0 x 35mm	28	G		01
C	 3,5 x 30mm	08	H		06
D	 3,5 x 16mm	06	I		02
E	 4,0 x 16mm	36	J		14




01



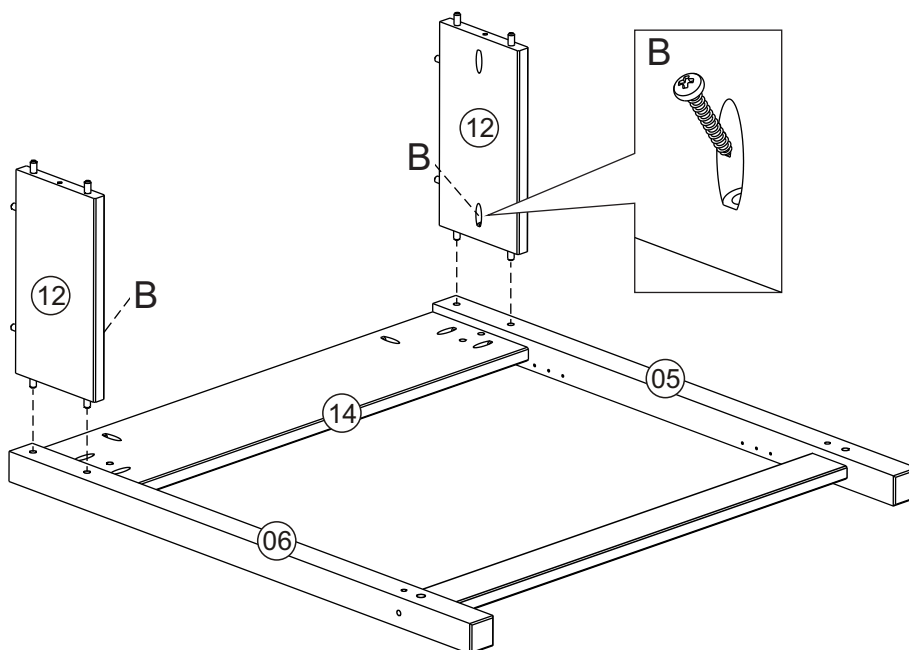
F		8,0 x 30mm	34
---	---	------------	----


02



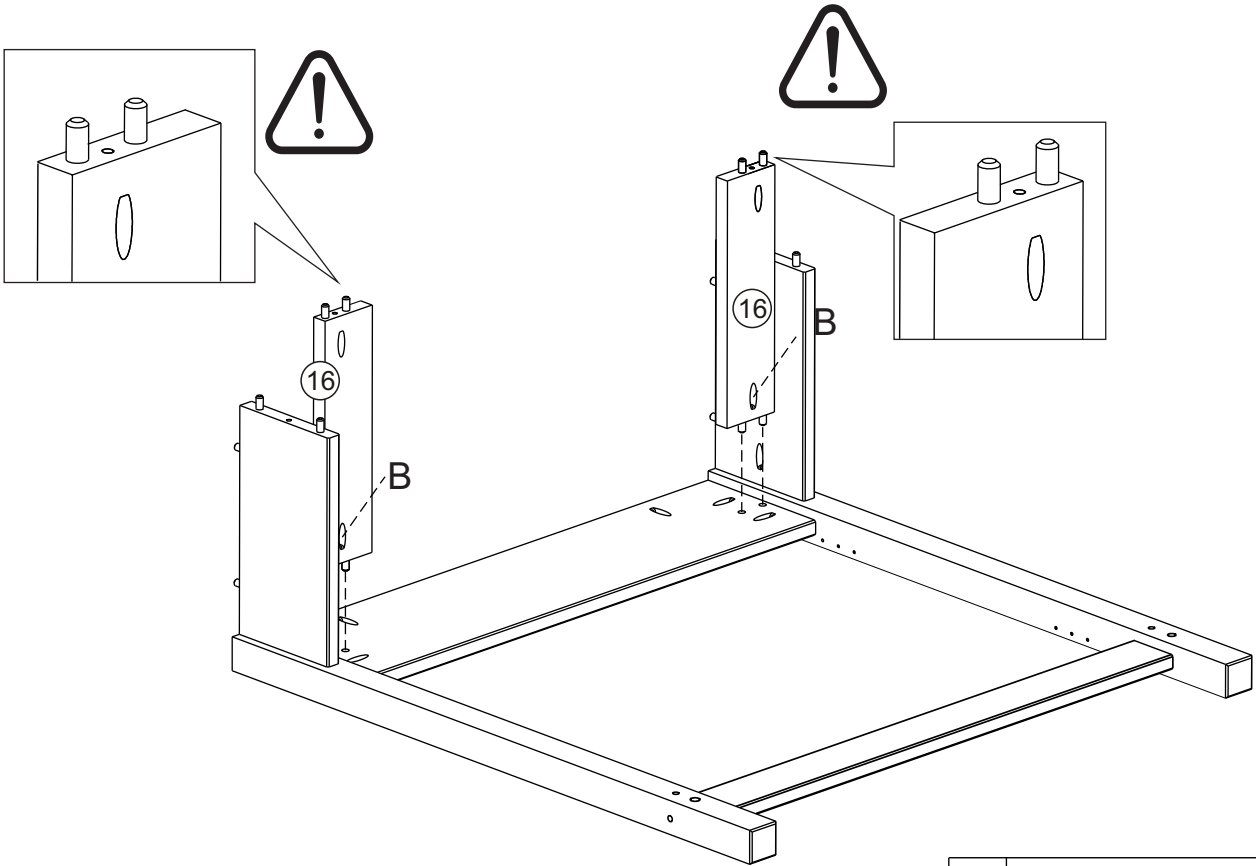
A		02
B		08
G		01


03



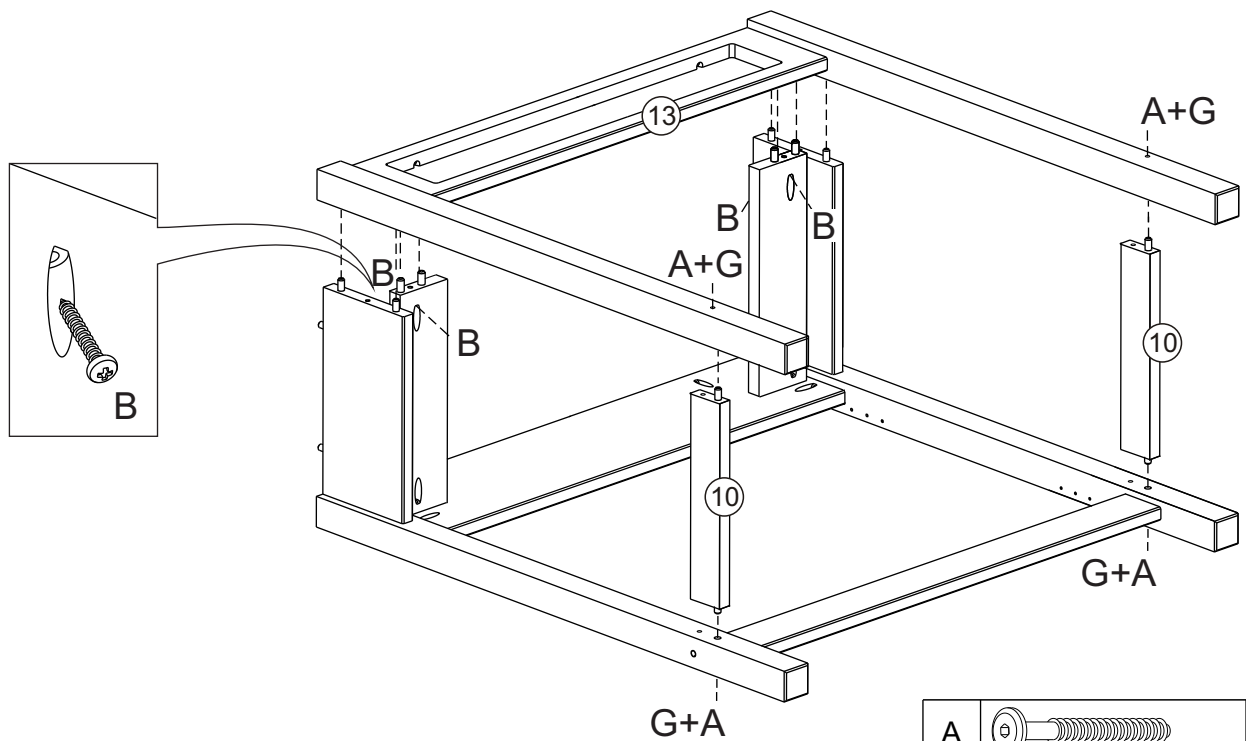
B		02
---	---	----

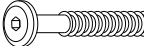


04



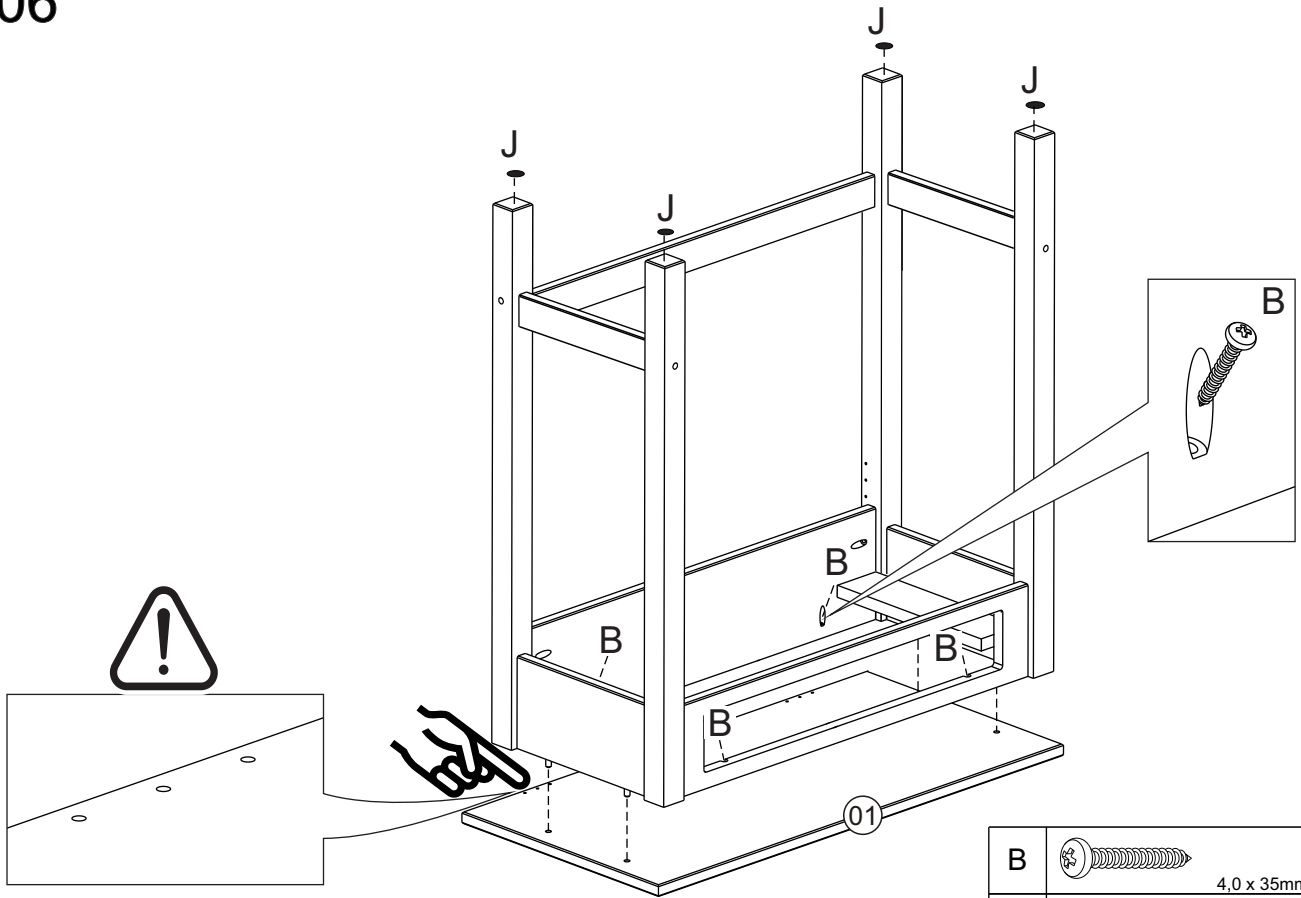
B		4,0 x 35mm	02
---	---	------------	----



05



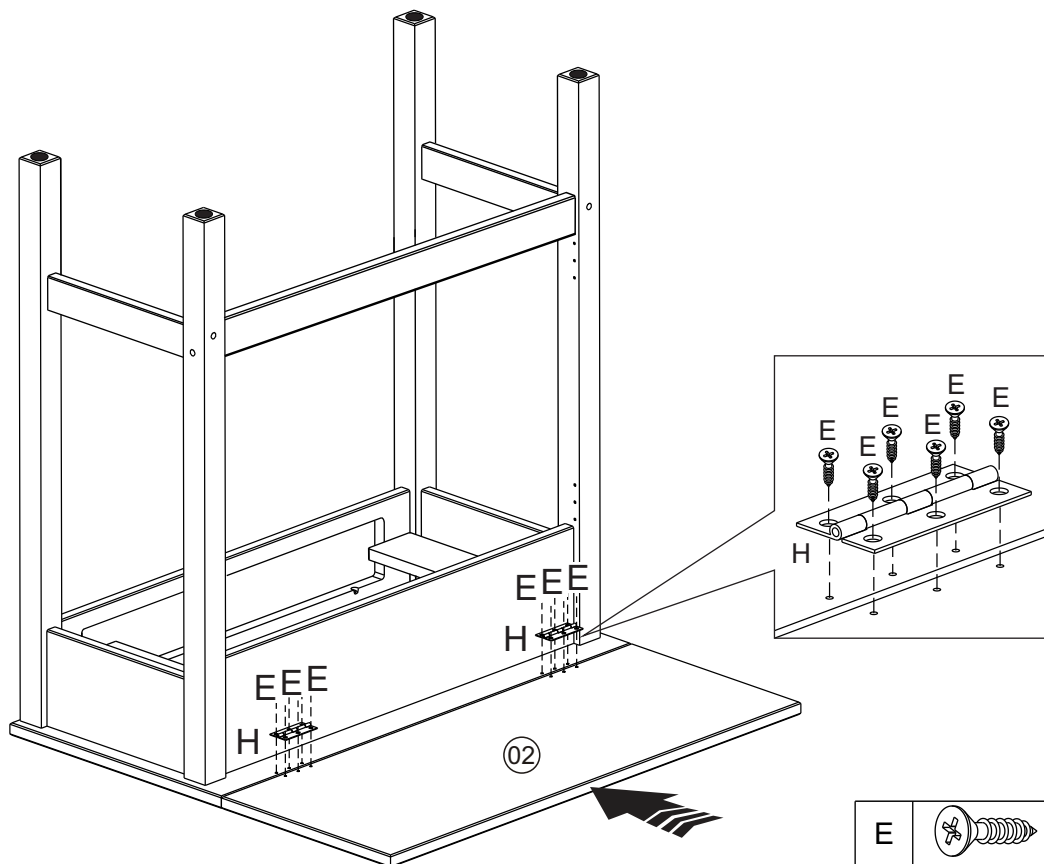
A		7,0 x 70mm	04
B		4,0 x 35mm	04
G			01



06



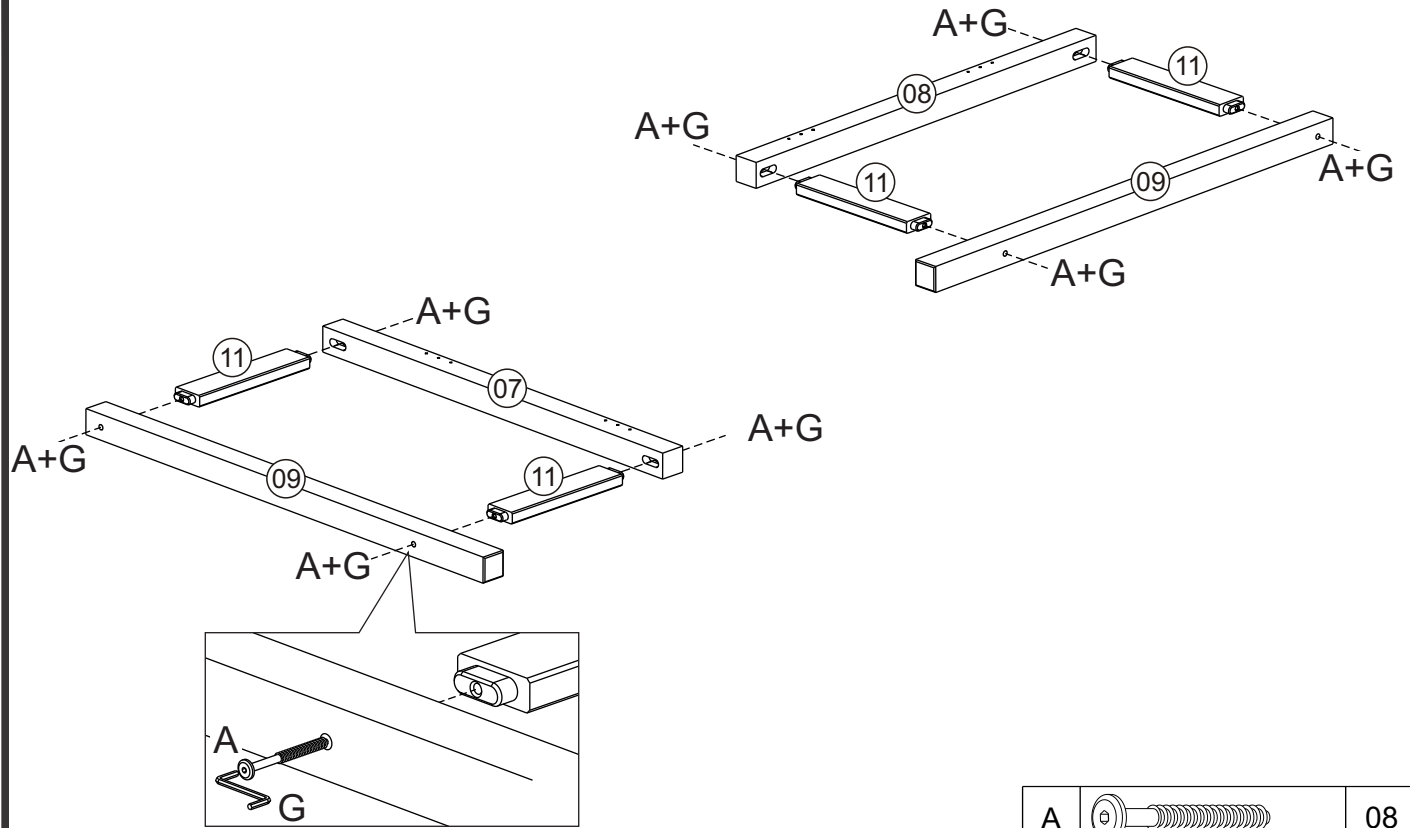
B		4,0 x 35mm	04
J			04

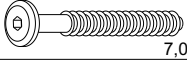

07



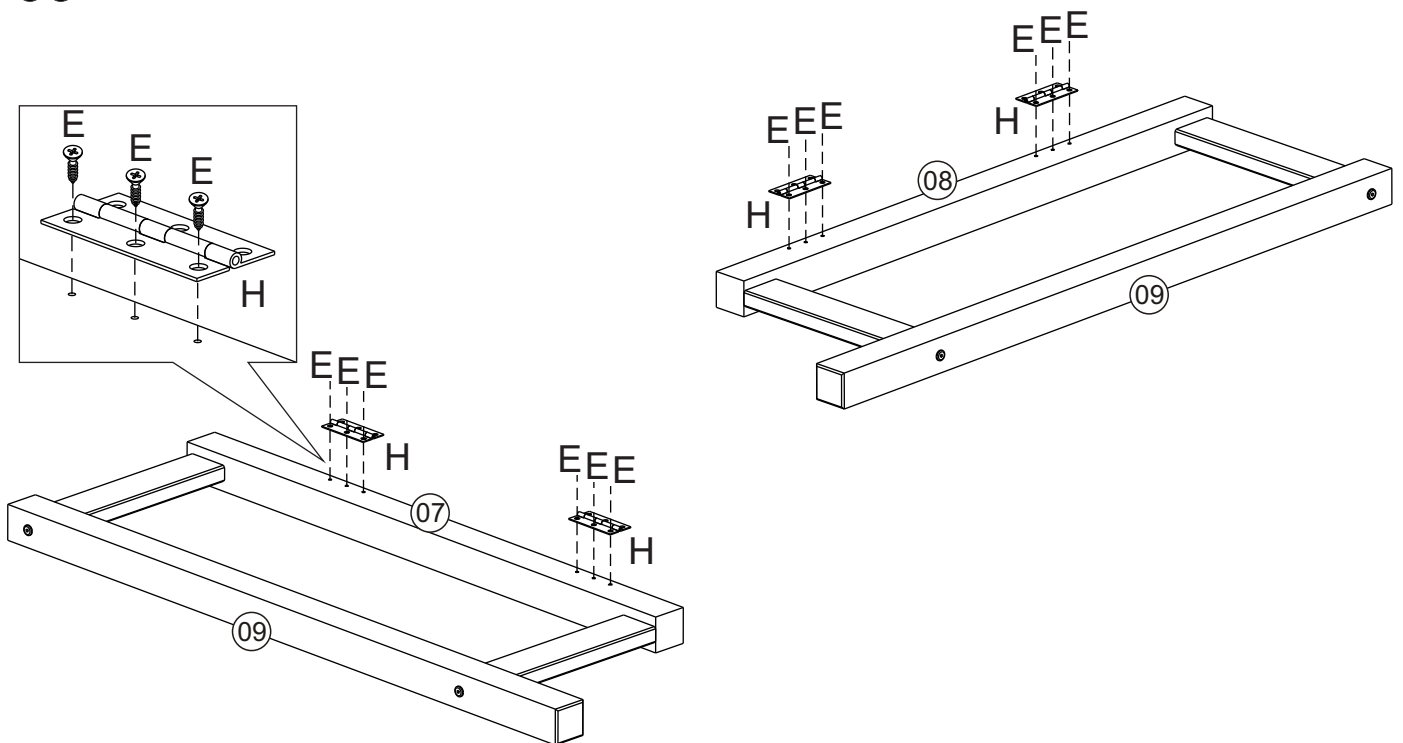
E		4,0 x 16mm	12
H			02

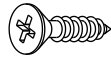
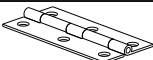
08



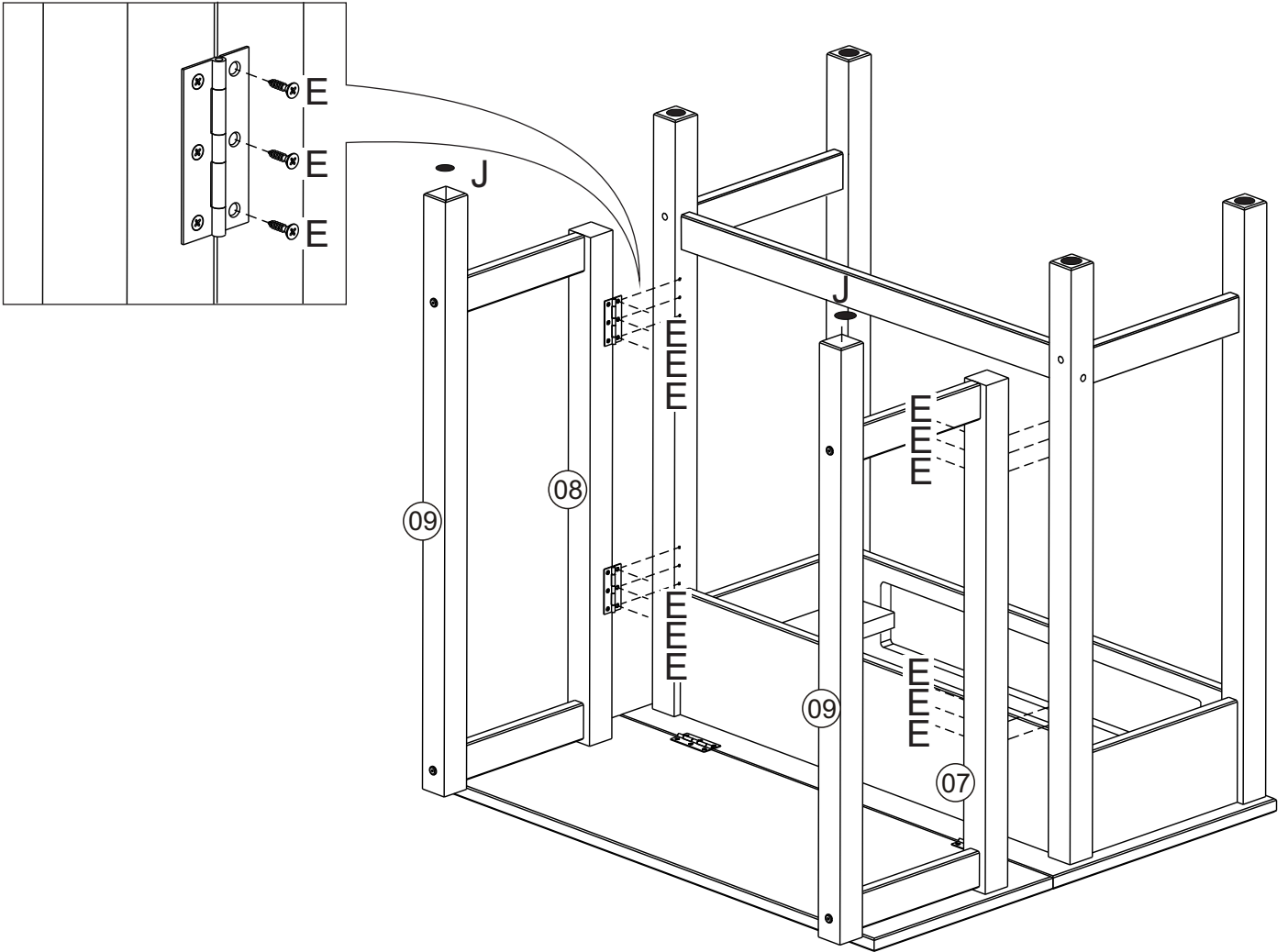
A	 7,0 x 70mm	08
G		01



09



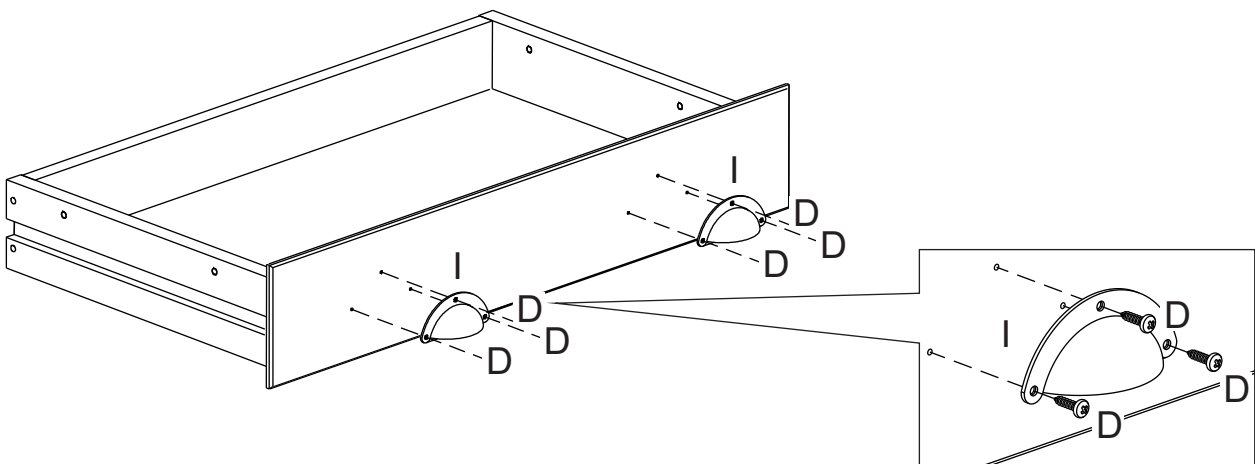
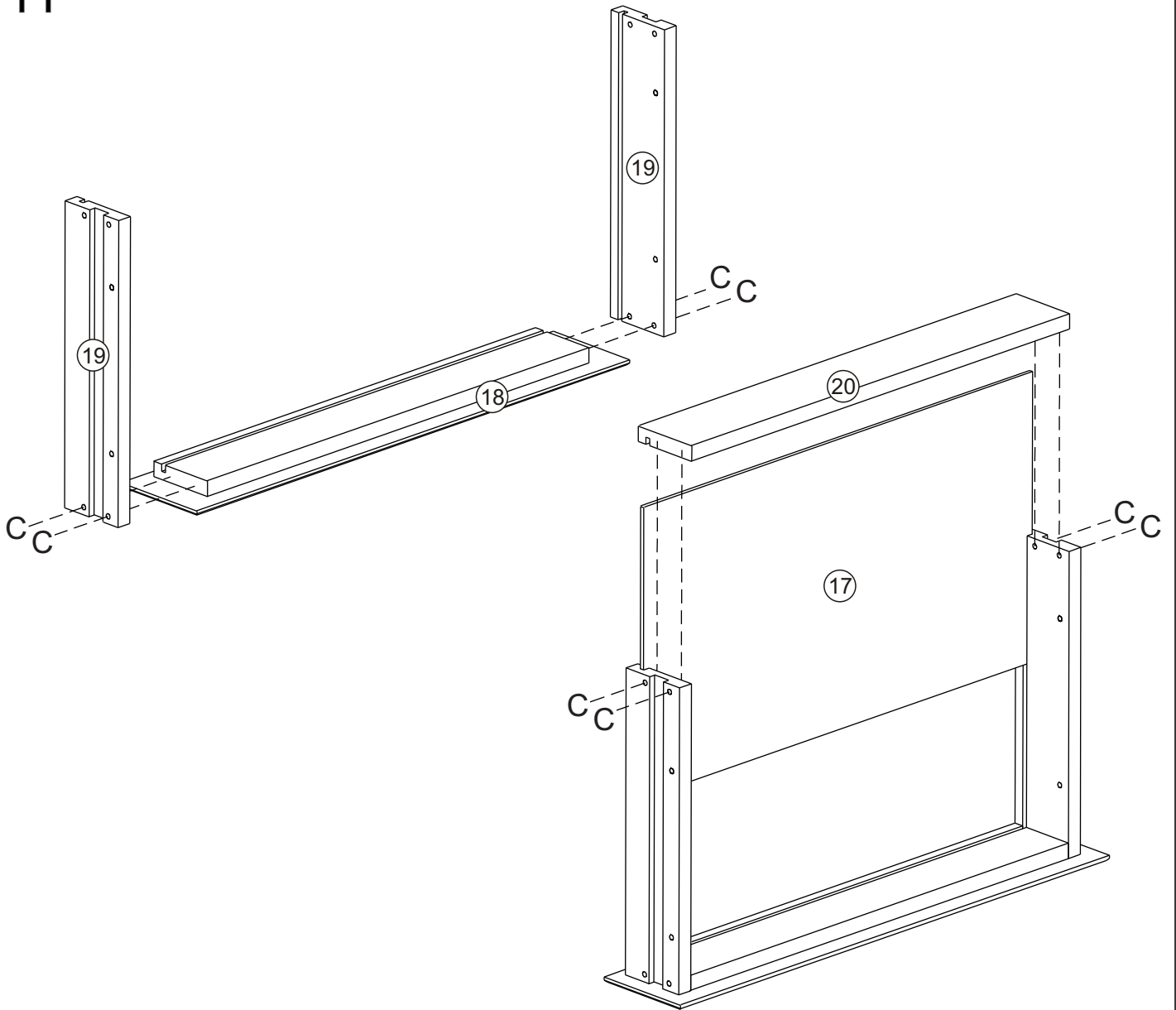
E	 4,0 x 16mm	12
H		04




10



E		4,0 x 16mm	12
J			02

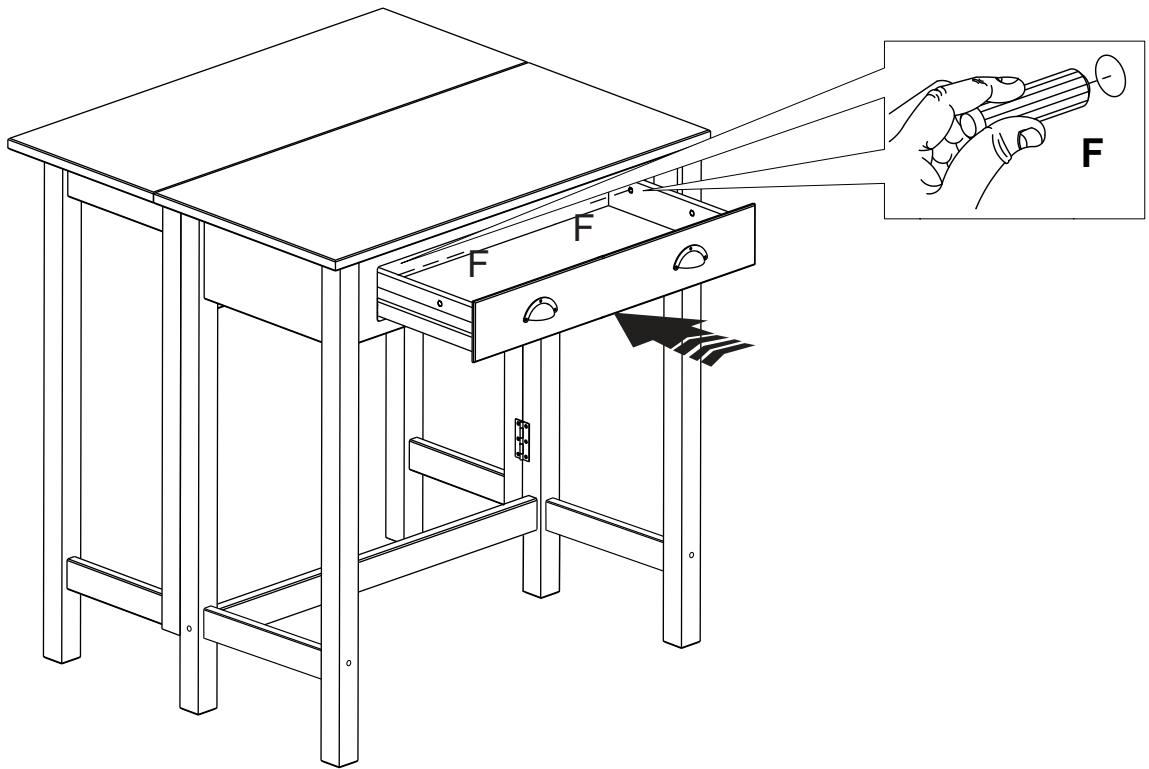
11




I		02
D	 3,5 x 16mm	06
C	 3,5 x 30mm	08

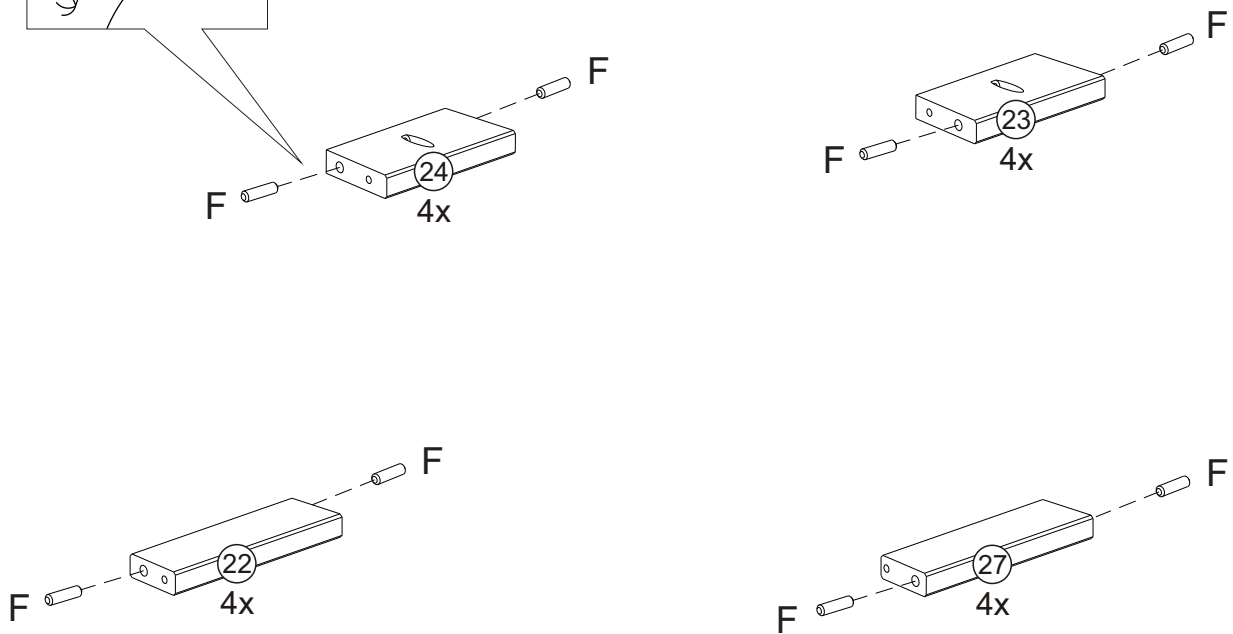
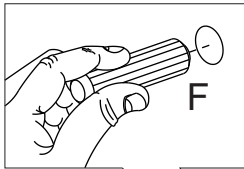



12



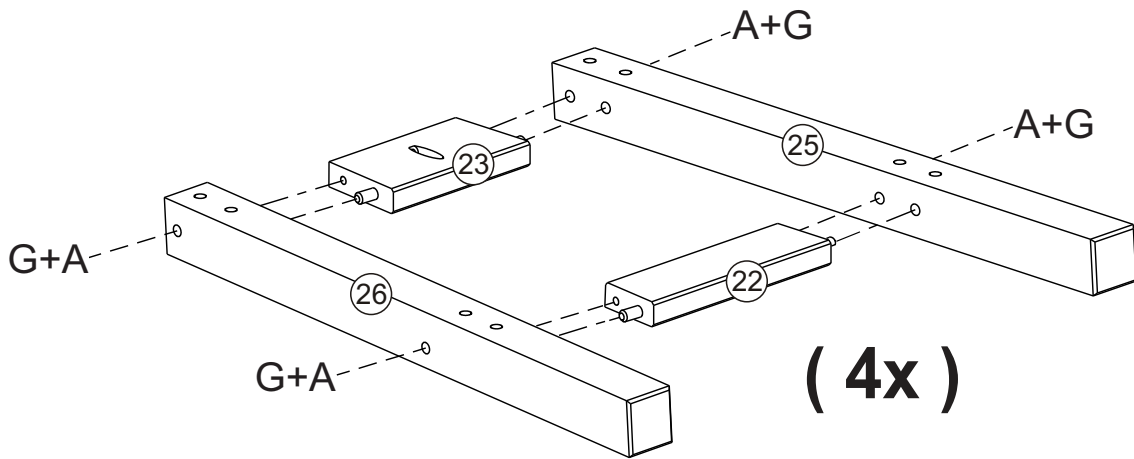
F		8,0 x 30mm	02
---	---	------------	----



13



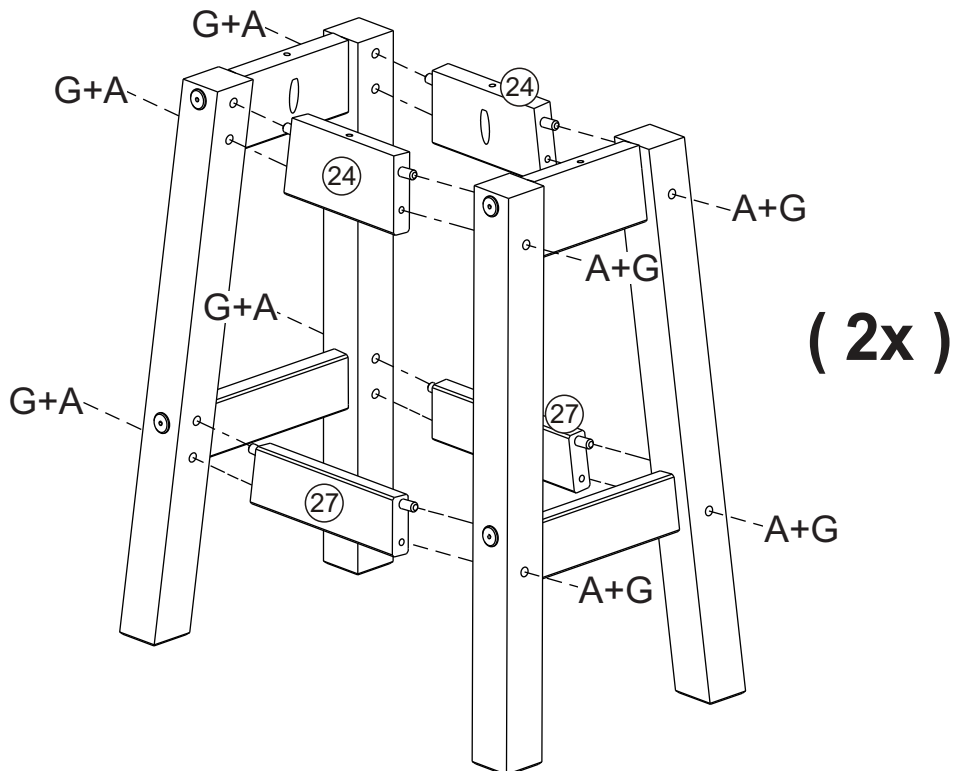
F		8,0 x 30mm	32
---	---	------------	----

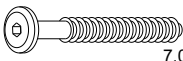

14



A	 7,0 x 70mm	16
G		01

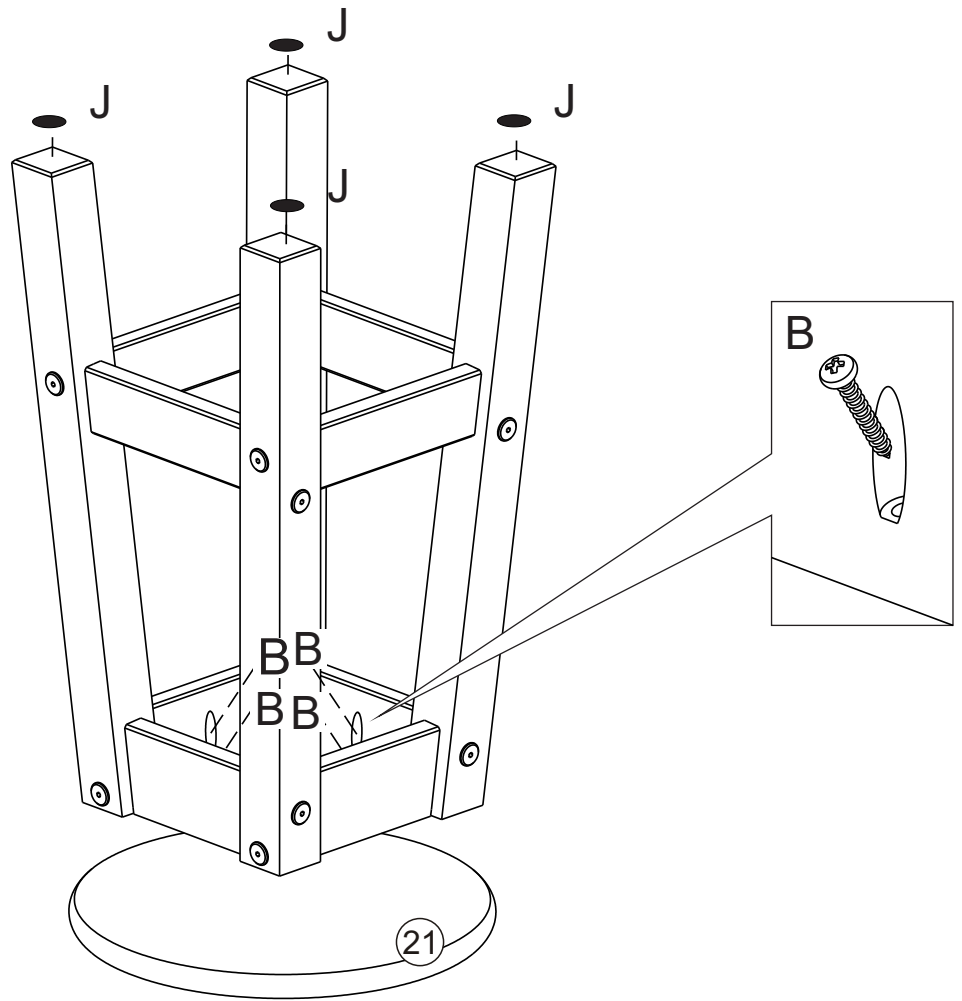
15





A	 7,0 x 70mm	16
G		01

16

( 2x )



B	 4.0 x 35mm	08
J		08