







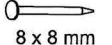

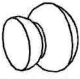

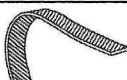

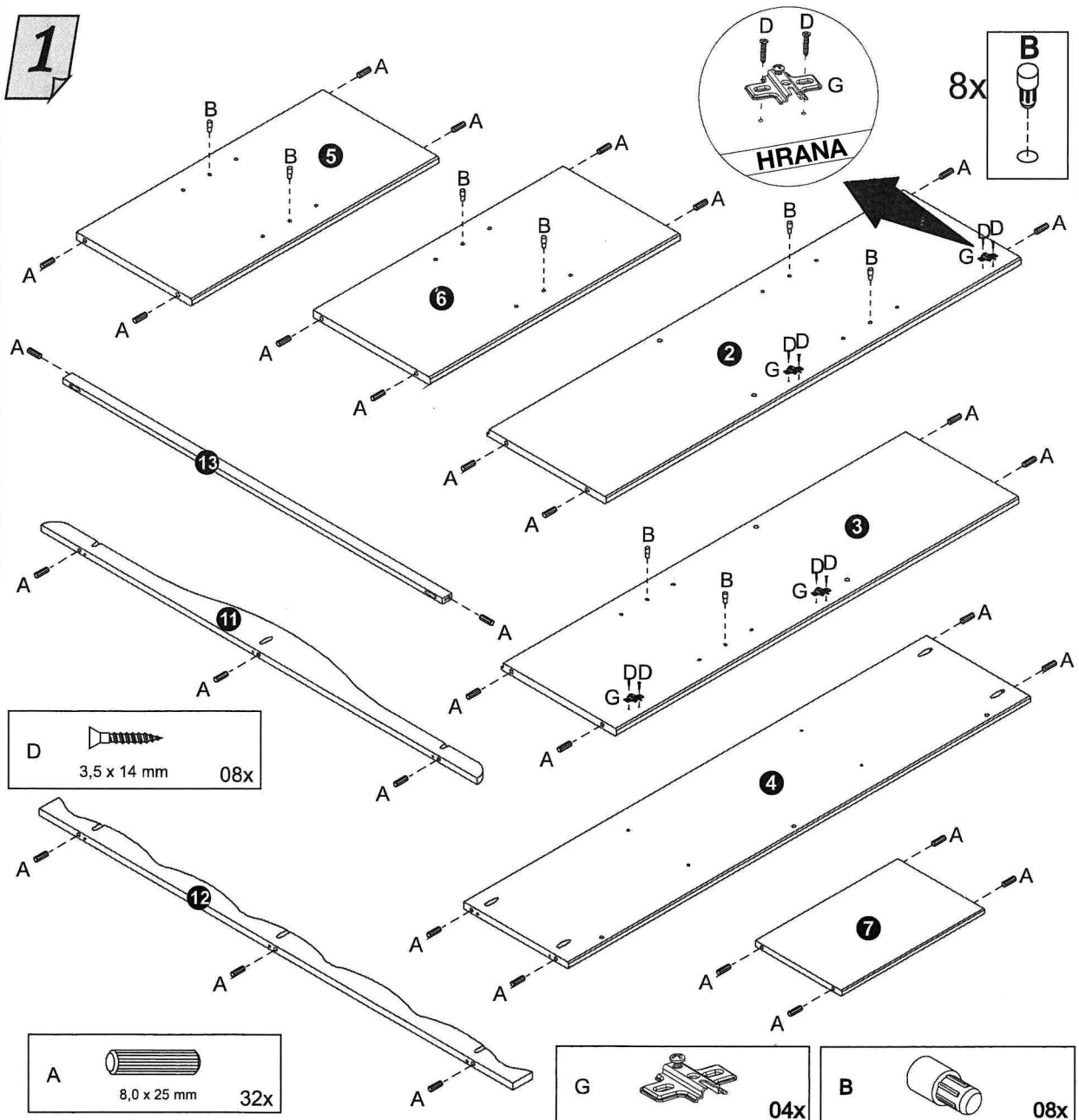



A		32x
B		08x
C		04x
D		17x
E		18x


F		12x
G		04x
H		08x
I		40x
J		02x


K		02x
L		20x
M		01x
N		02x


1



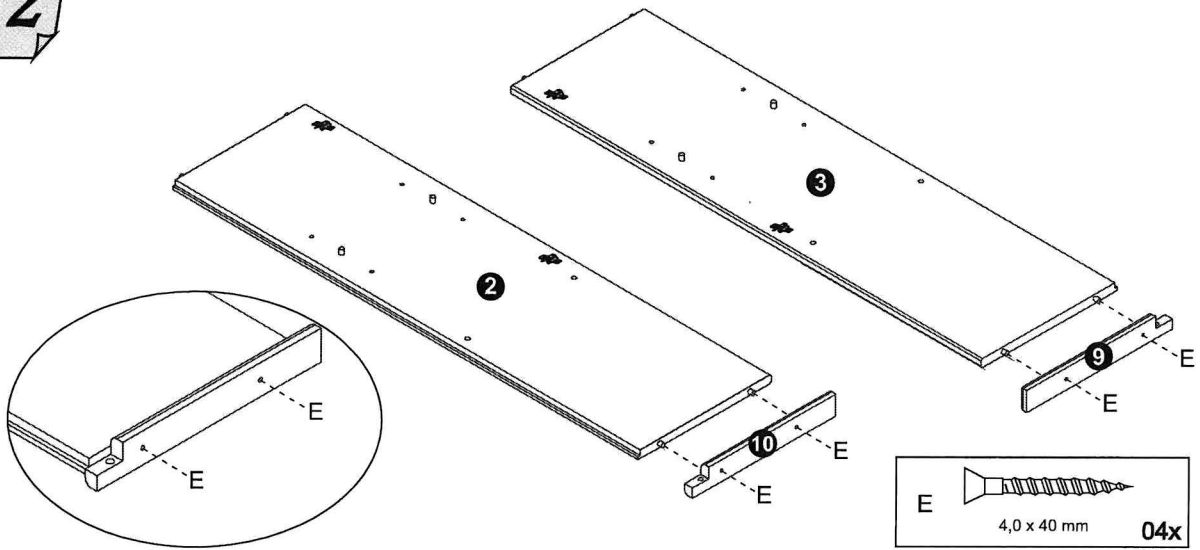
D		08x
---	---	-----

A		32x
---	---	-----

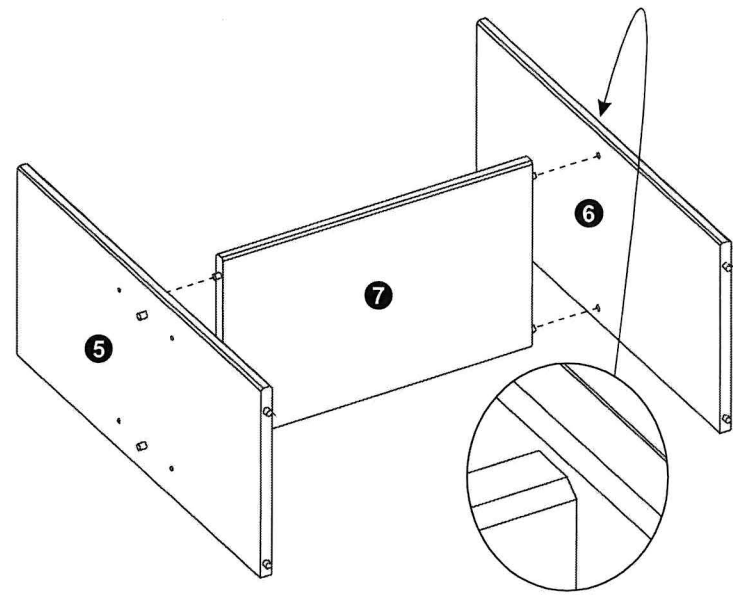
G		04x
---	---	-----

B		08x
---	---	-----

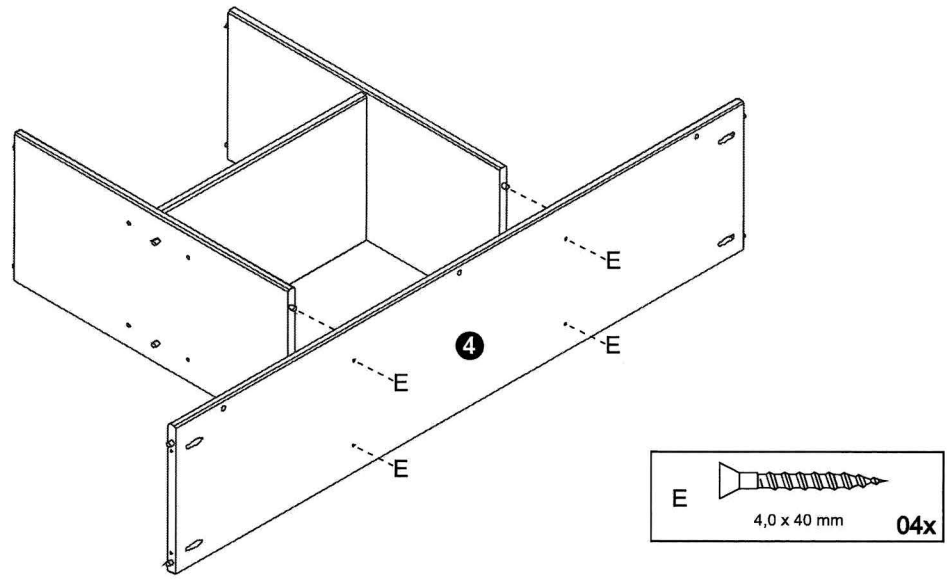
2



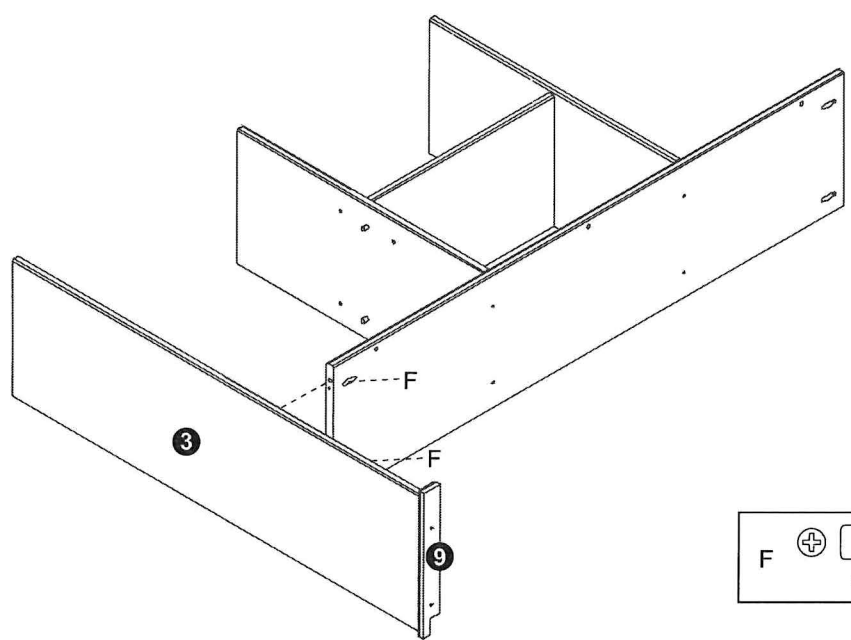
3




4

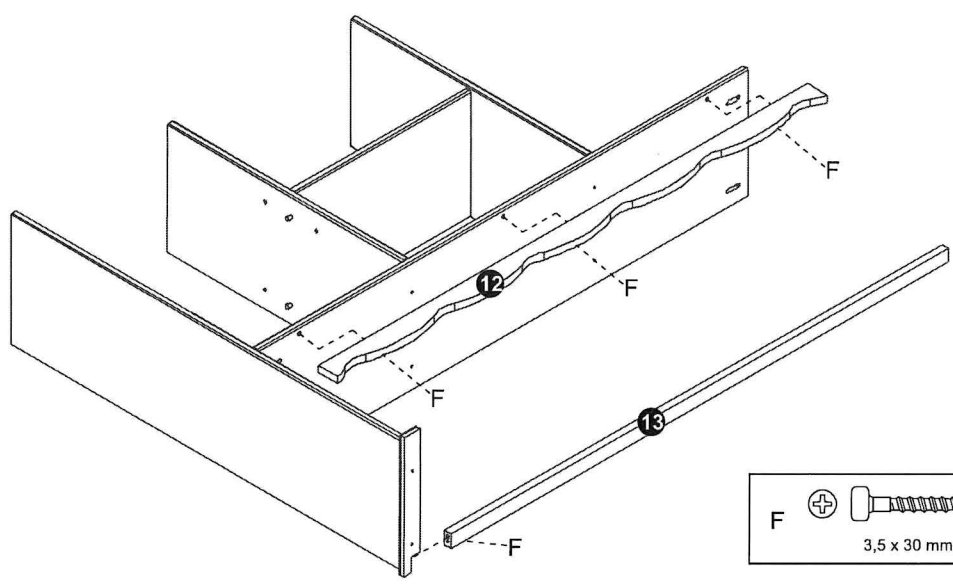



5



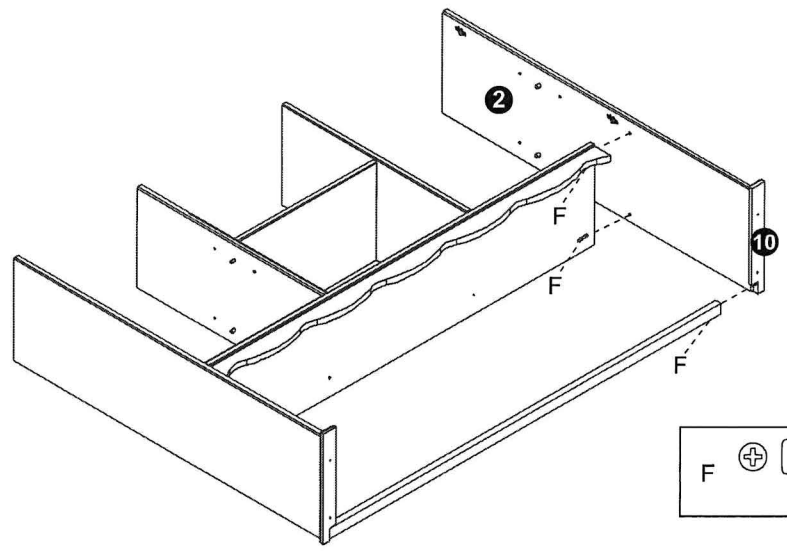
F  3,5 x 30 mm 02x


6



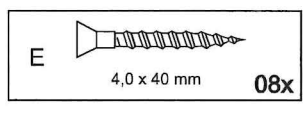
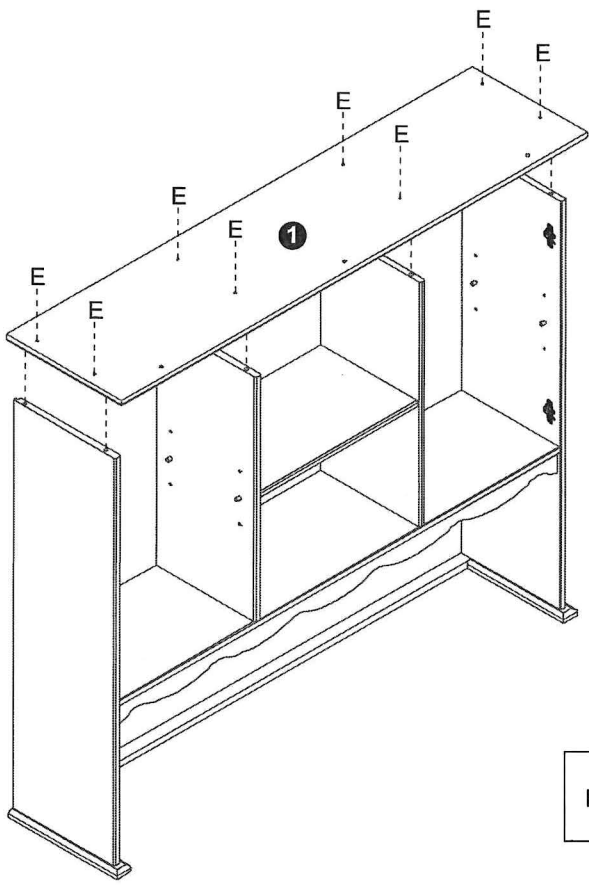
F  3,5 x 30 mm 04x

7

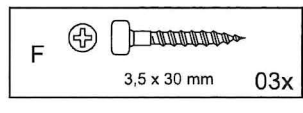
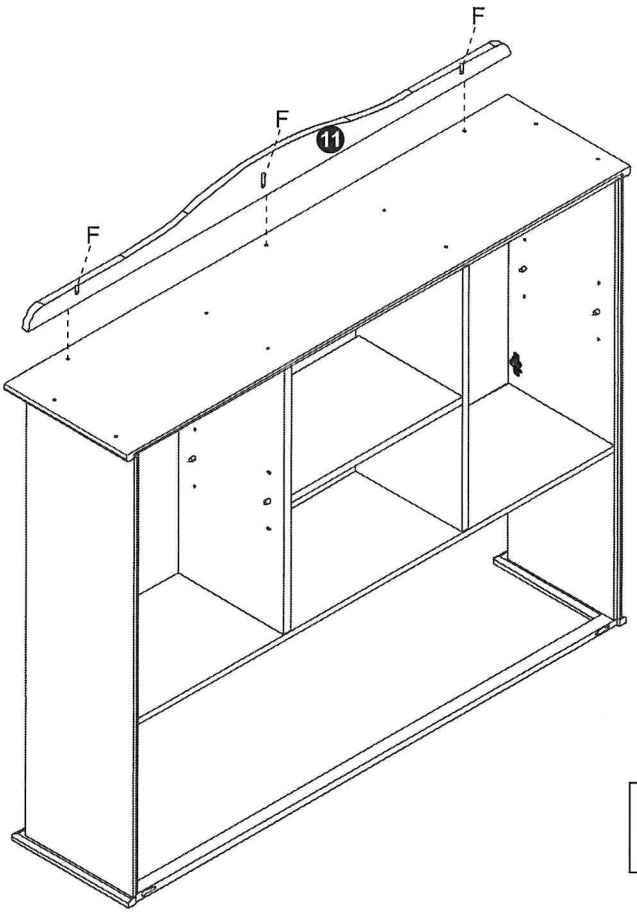


F  3,5 x 30 mm 03x

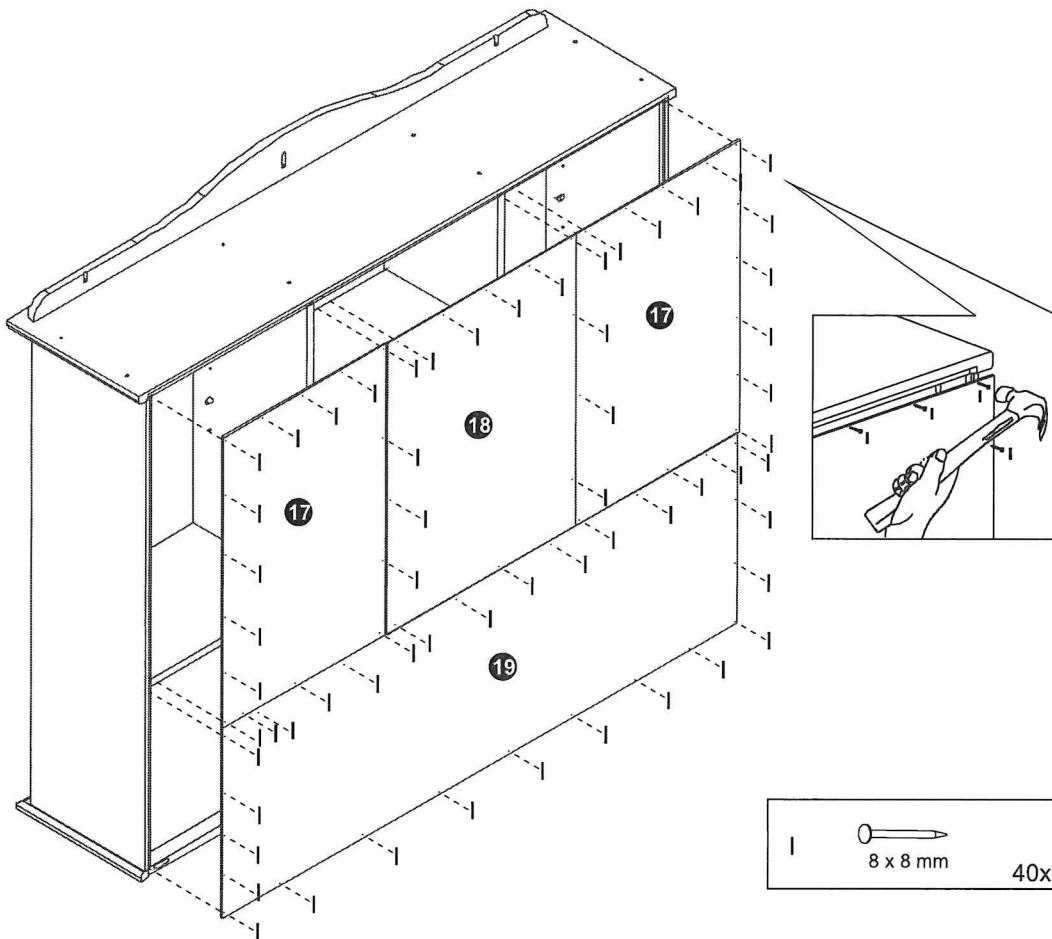
8



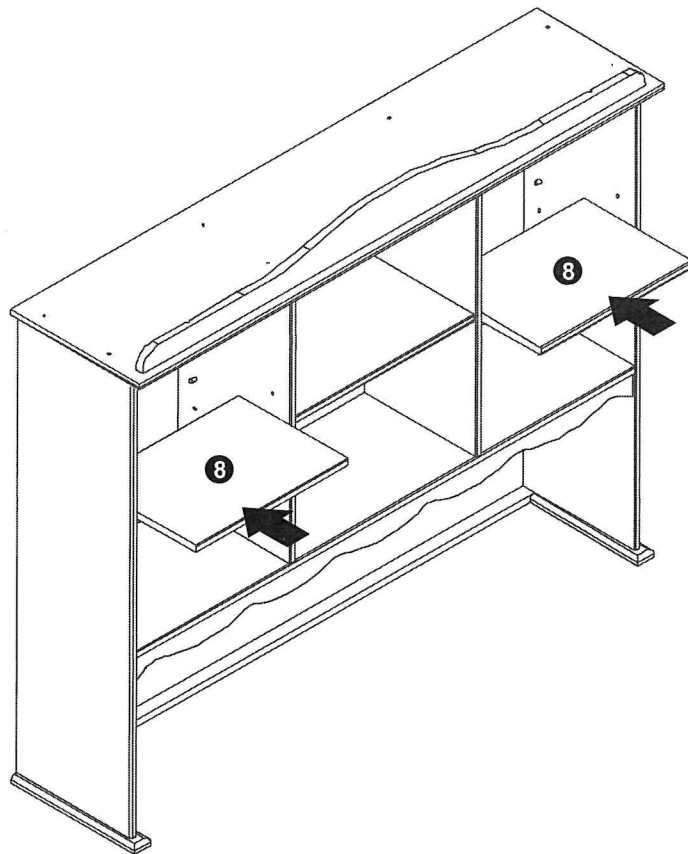
9



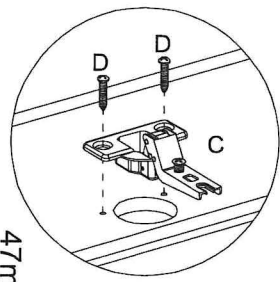
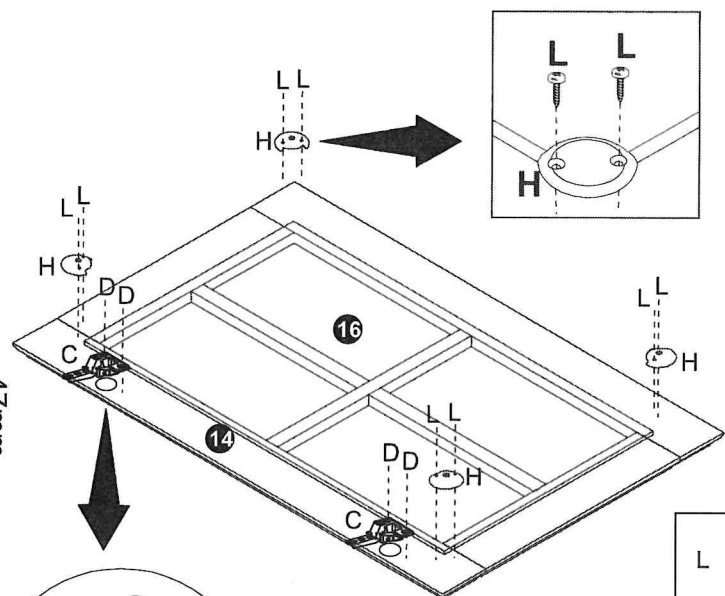
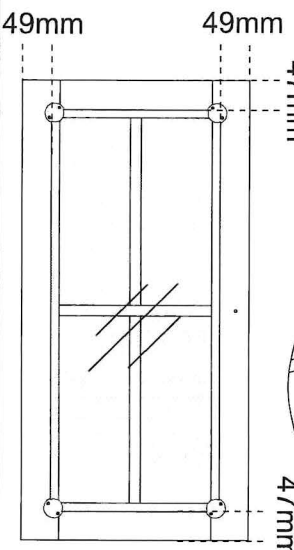
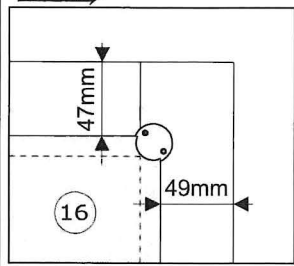
10

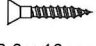

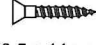



11

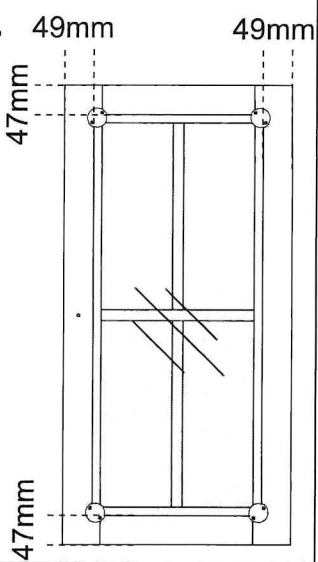
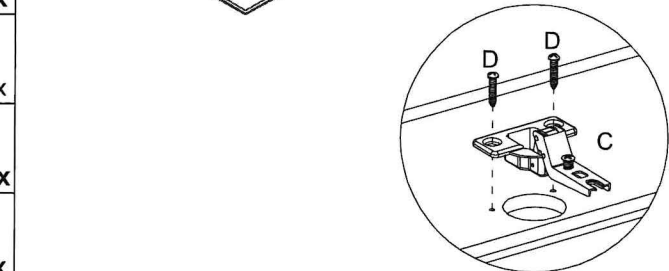
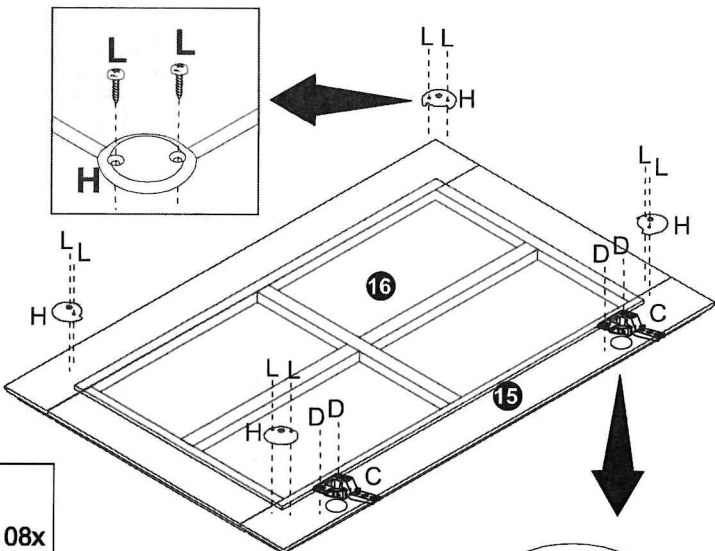
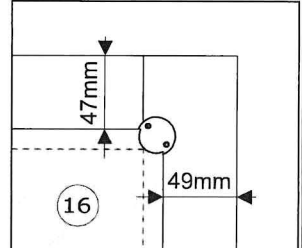






12



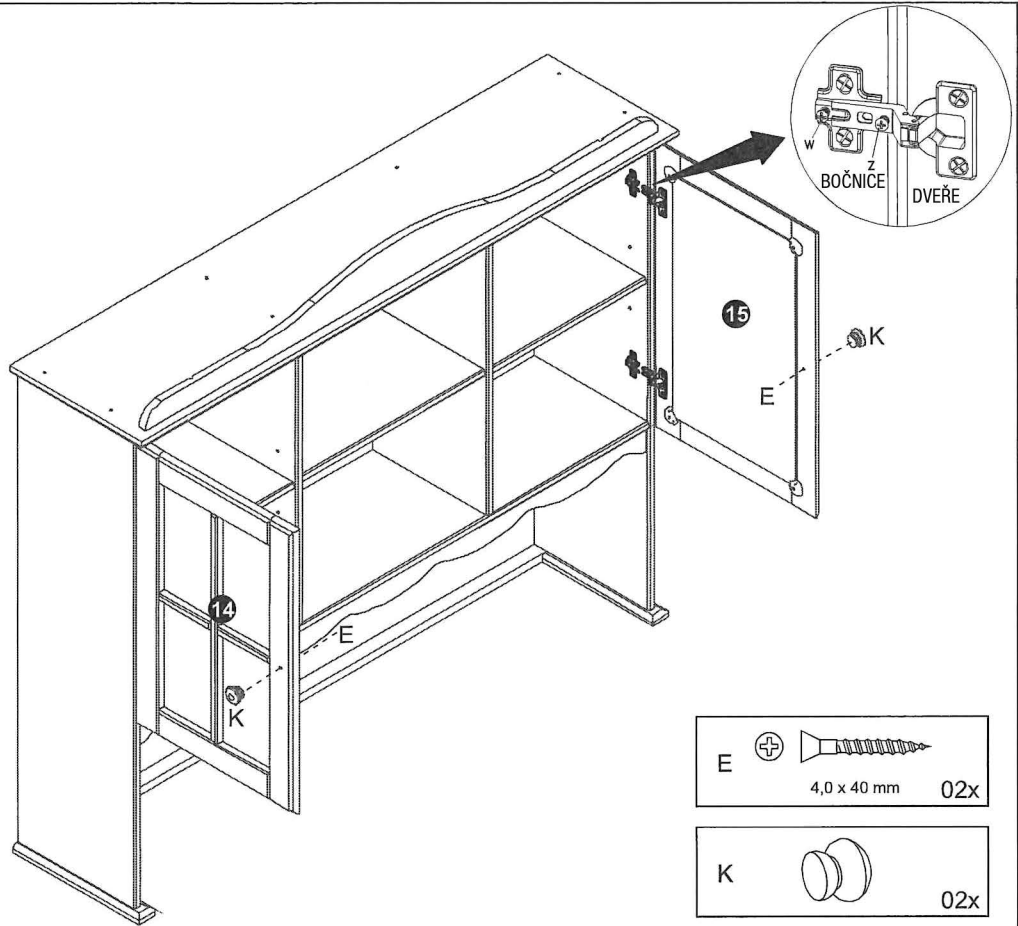
L		3,0 x 16 mm	08x
H			04x
D		3,5 x 14 mm	04x
C			02x

13

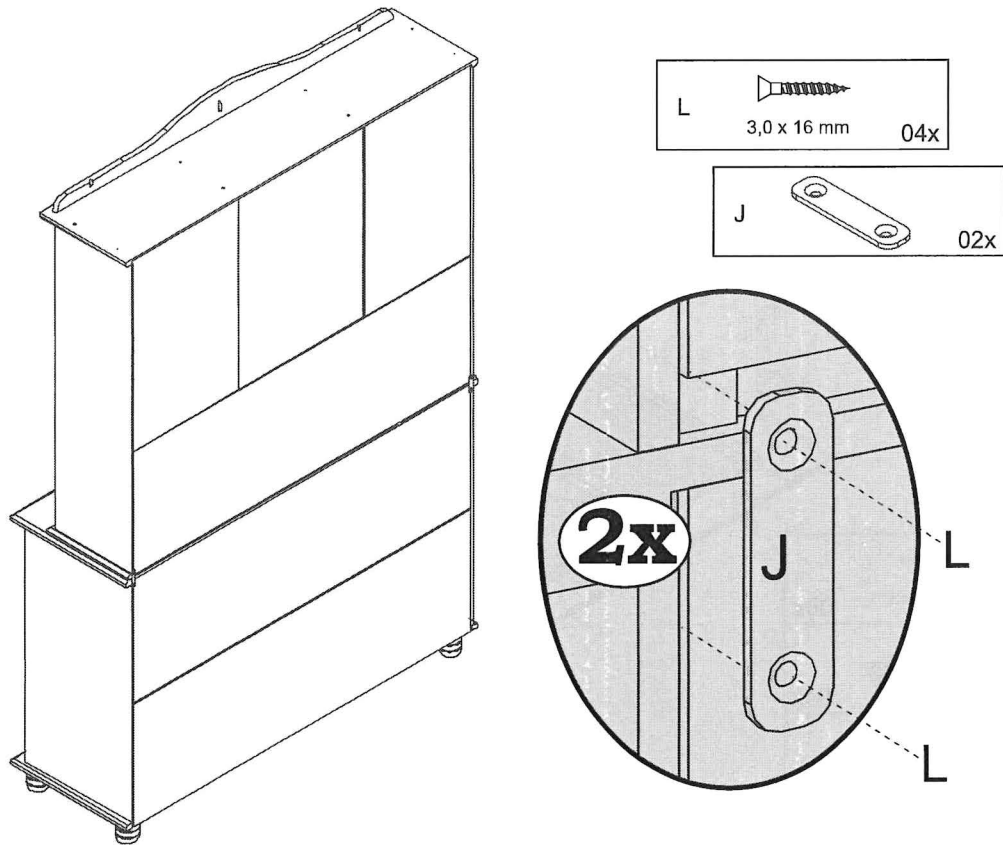


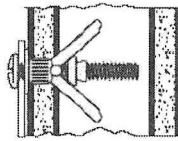
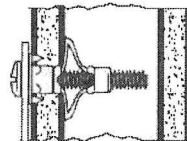
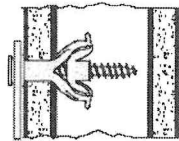
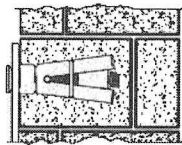
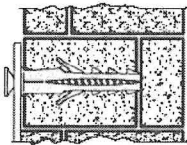
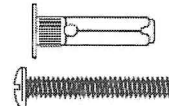
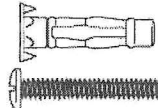
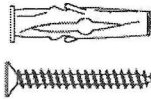
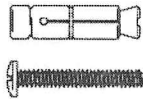
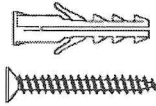
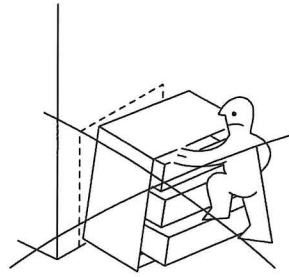
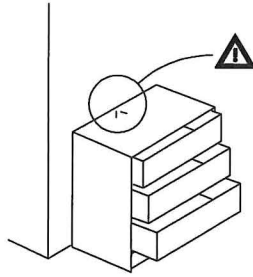
L		3,0 x 16 mm	08x
H			04x
D		3,5 x 14 mm	04x
C			02x

14

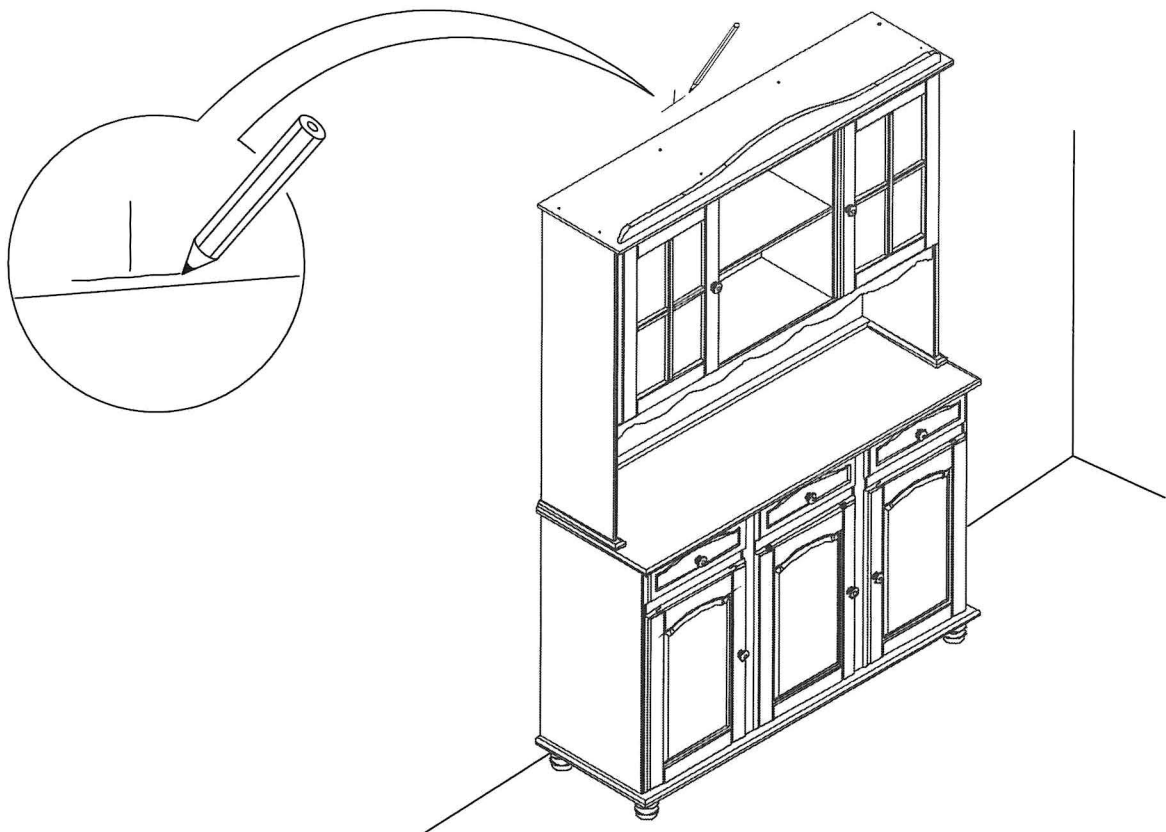


15

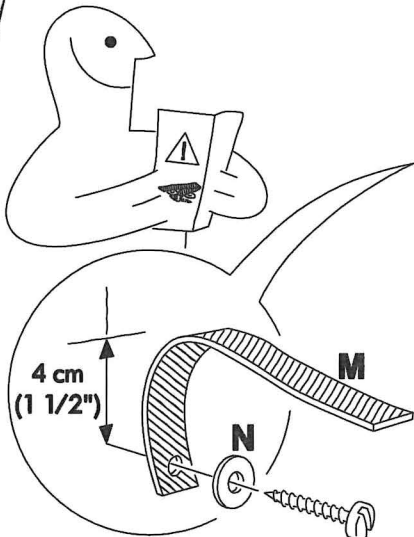


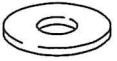
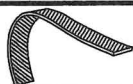


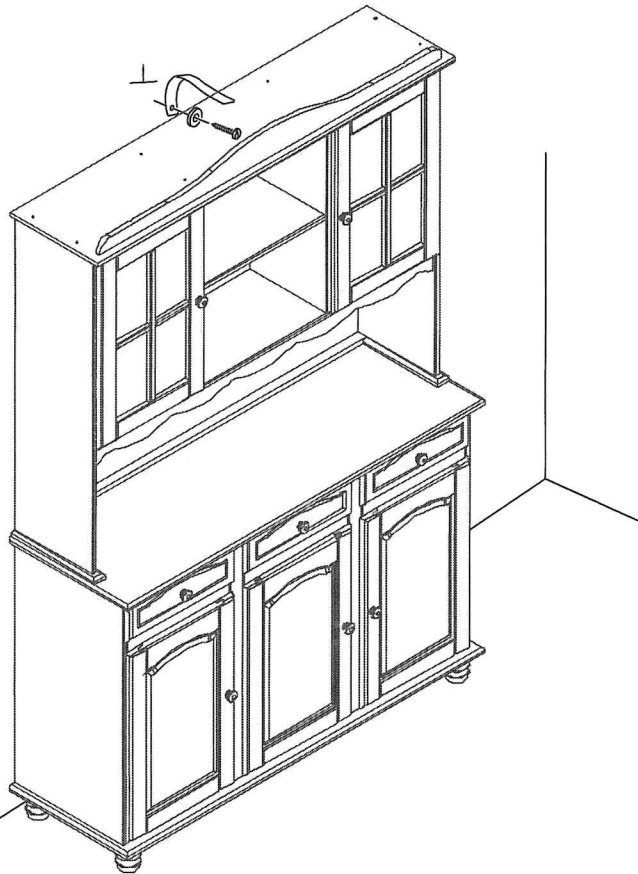
16



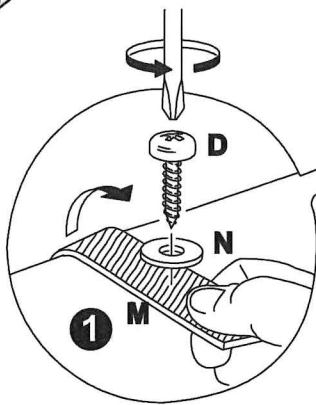
17





N		01 x
M		01 x



18



D		3,5 x 14 mm	01 x
N			01 x

