






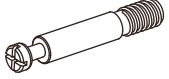

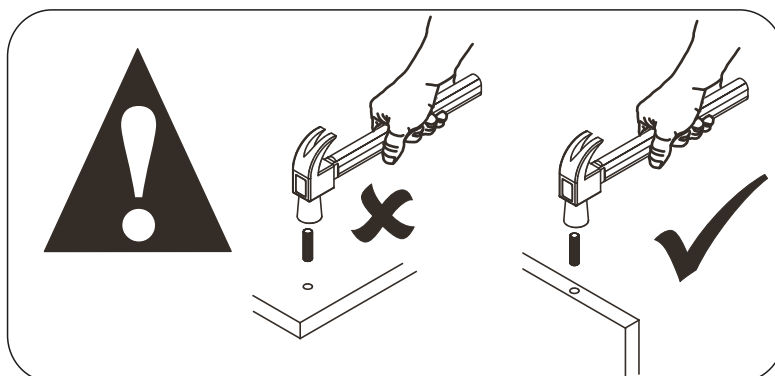
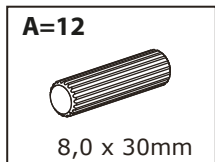
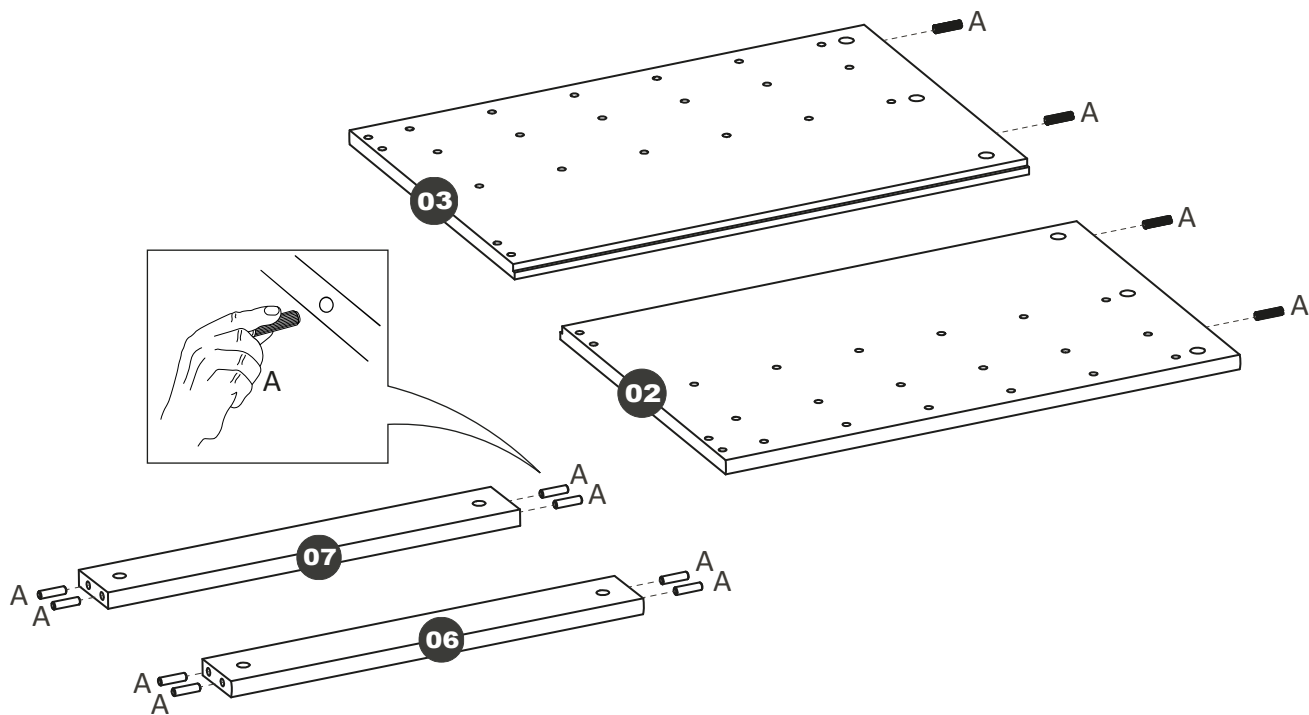


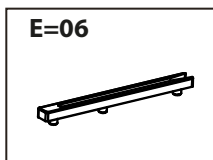
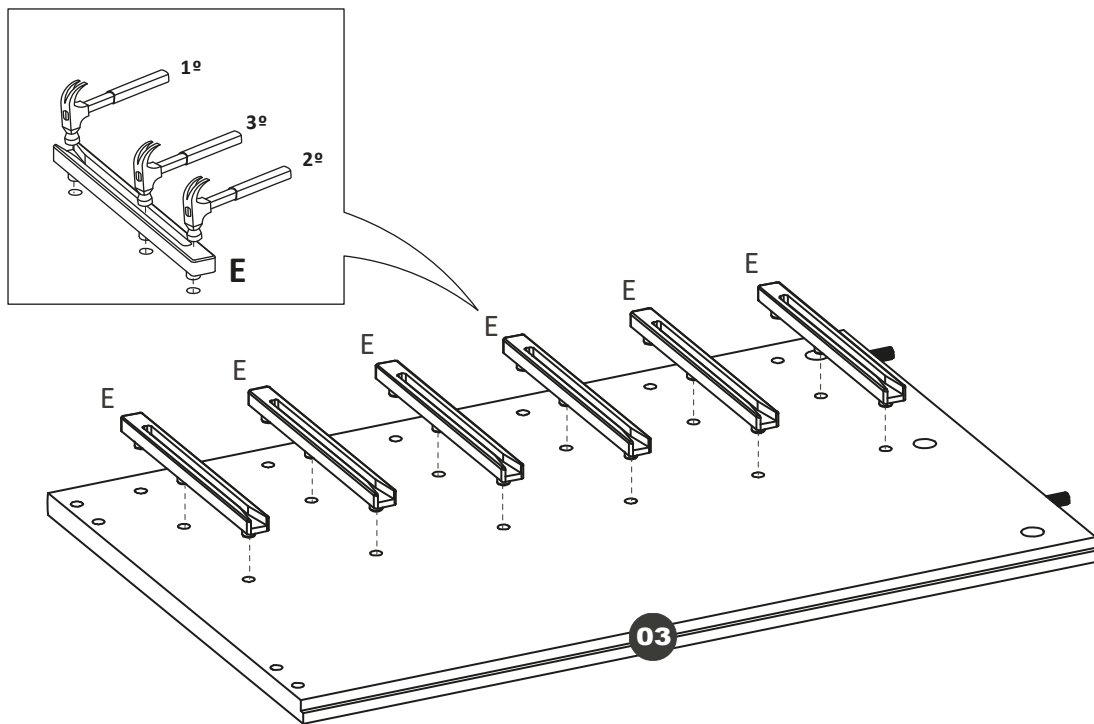
A=12  8,0 x 30mm	B=04  4,0 x 30mm	C=48  3,0 x 25mm	D=30 	E=12 	F=04 
G=04 	H=06 	I=06 			



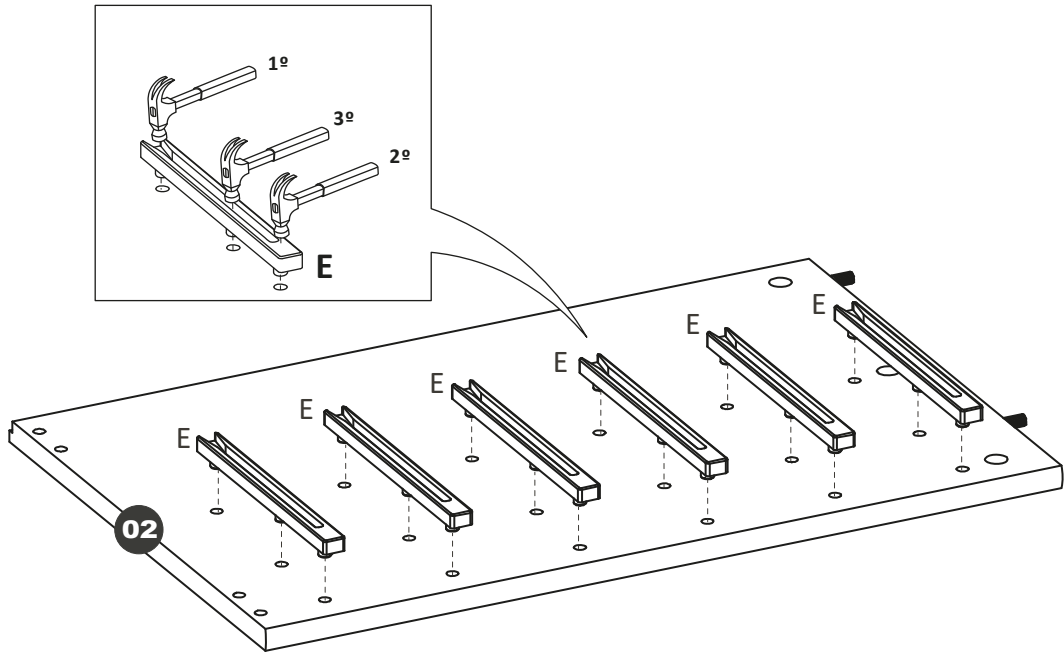
1



2



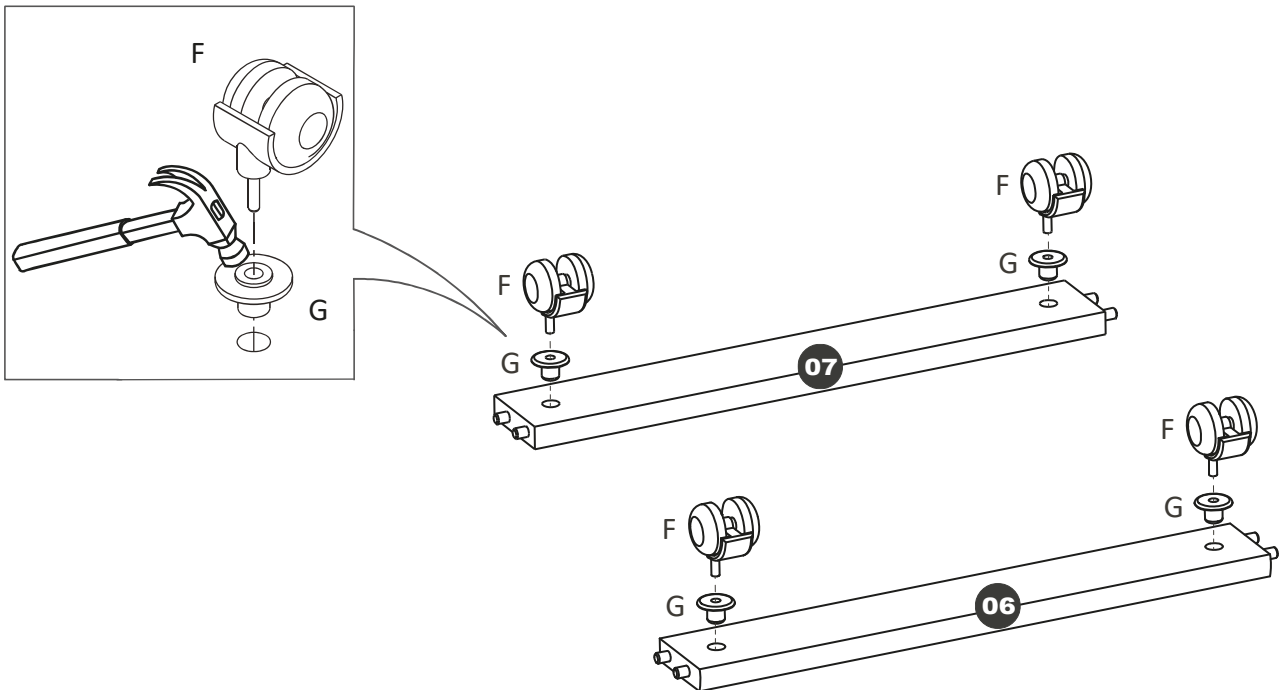
3



E=06



4



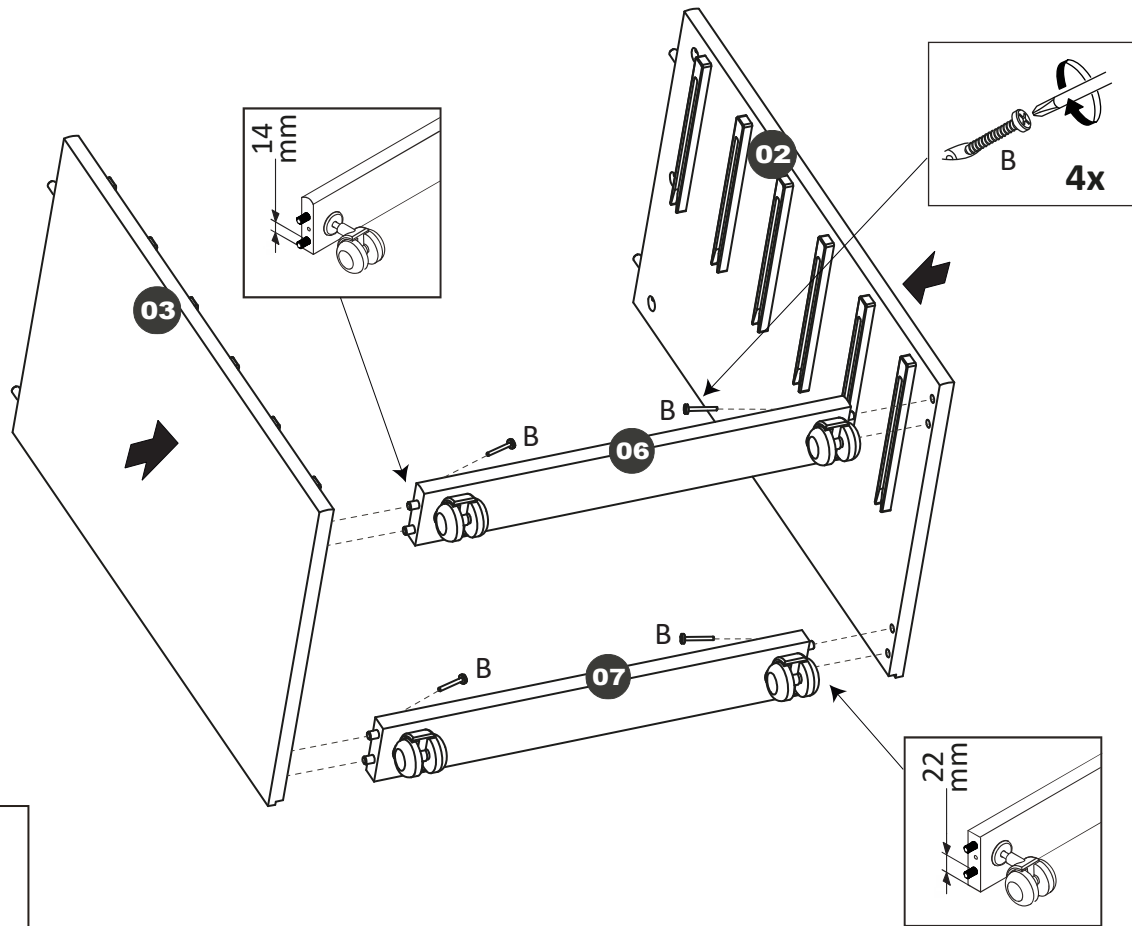
G=04



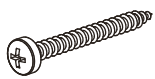
F=04



5

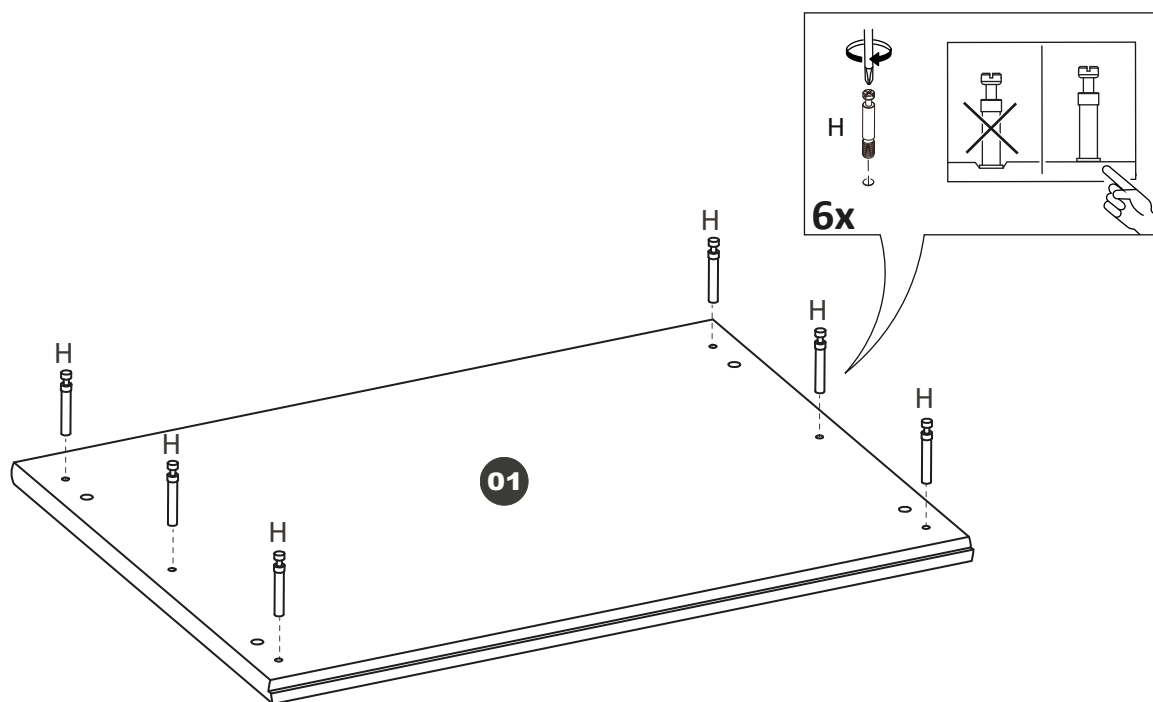


B=04

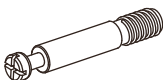


4,0 x 30mm

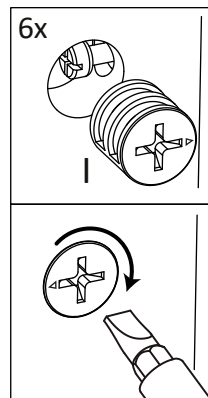
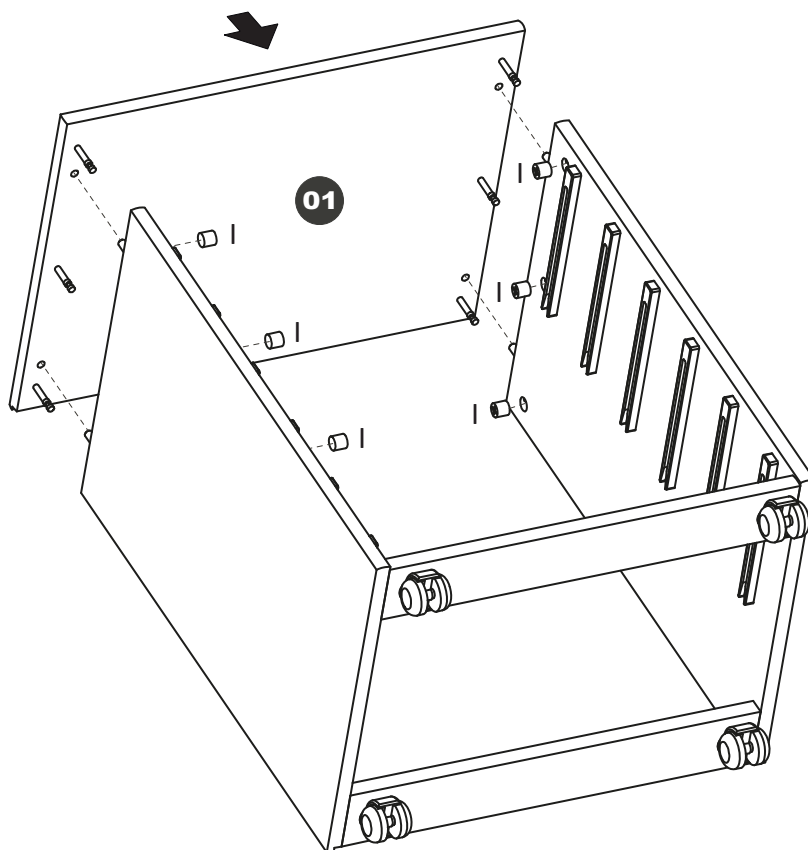
6



H=06



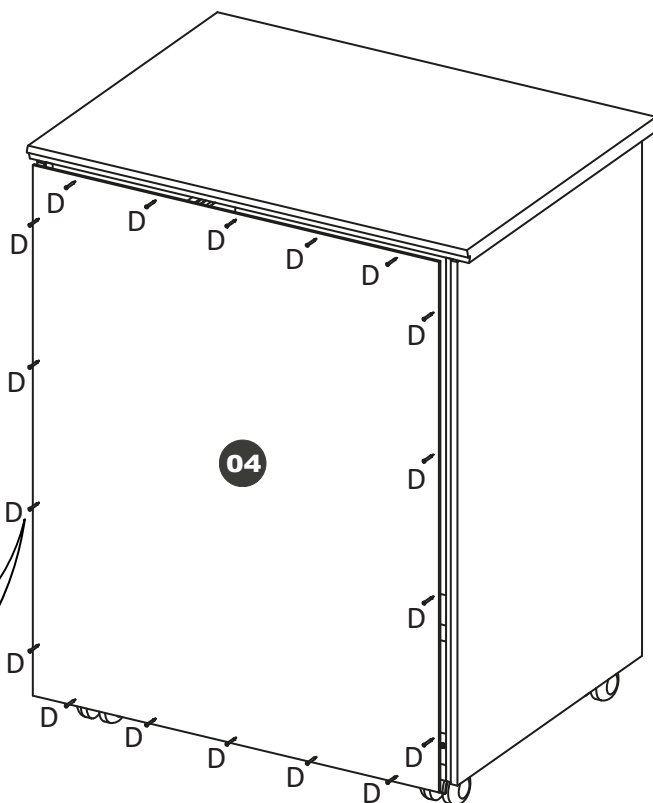
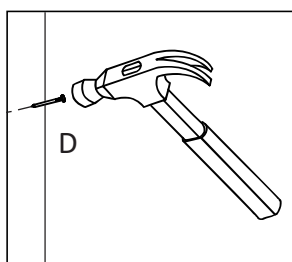
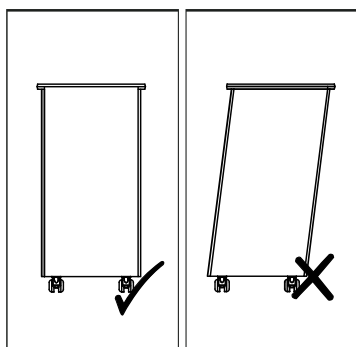
7



I=06



8

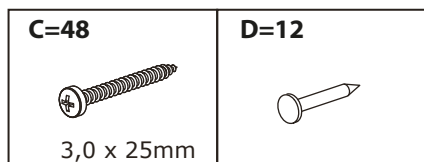
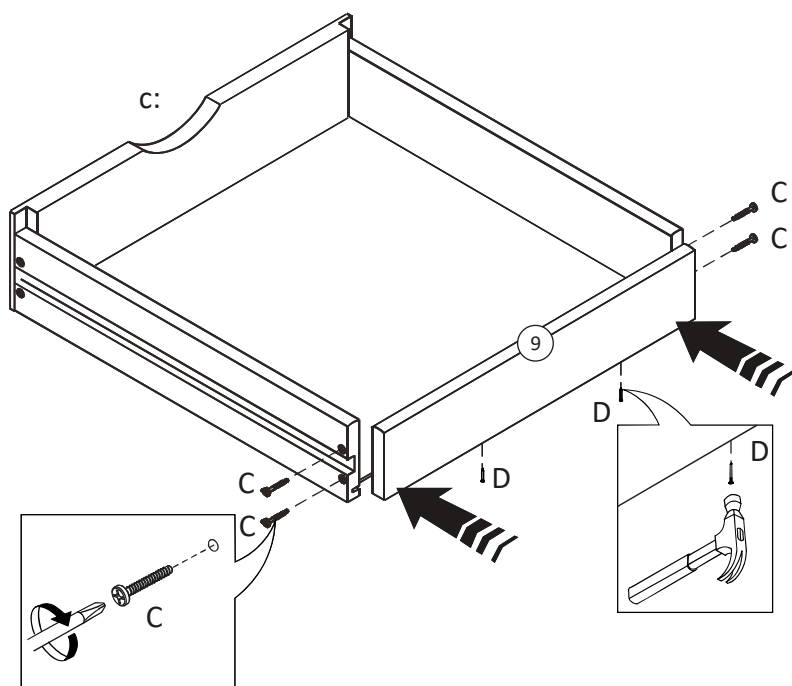
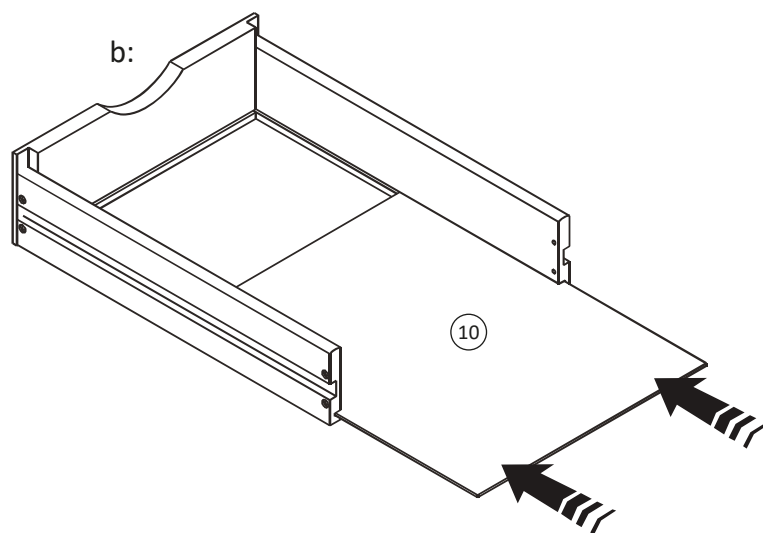
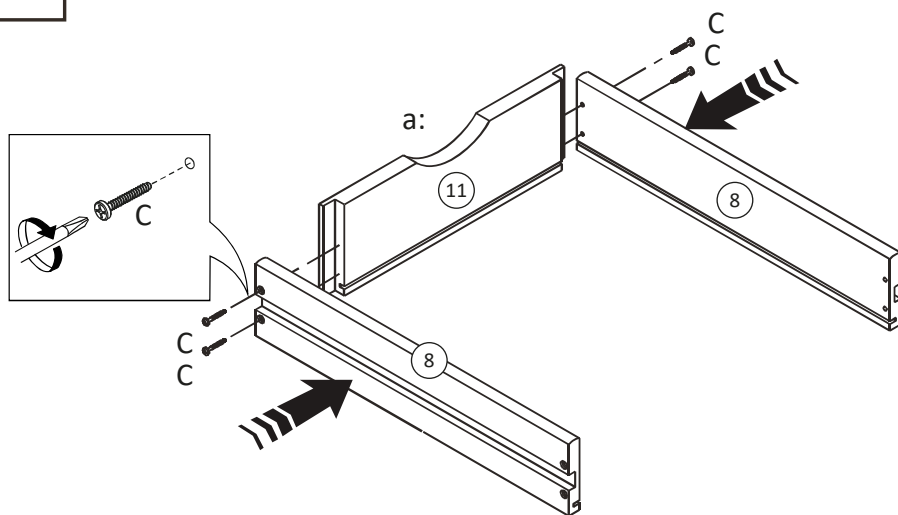


D=18



9

6x



10

