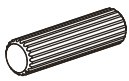

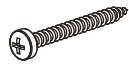




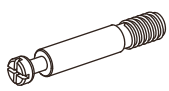
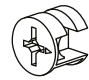
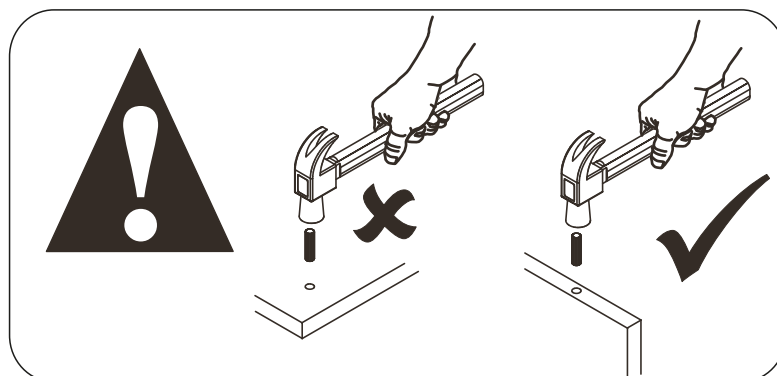
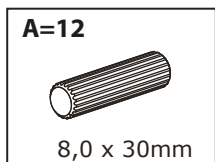
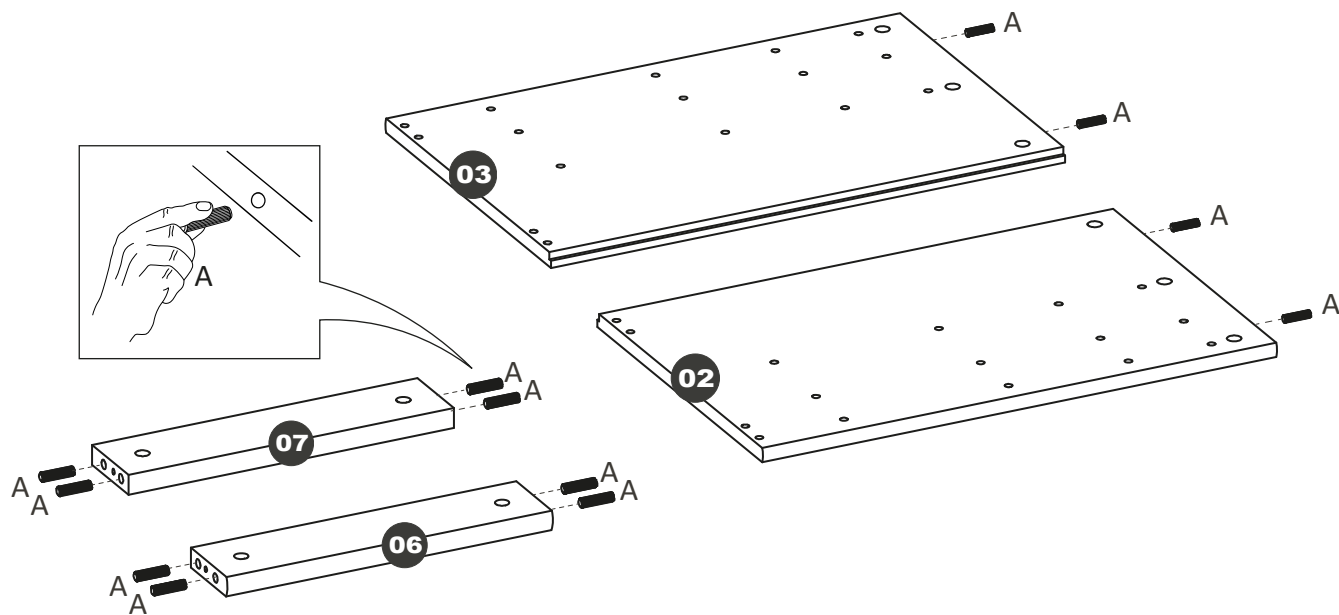


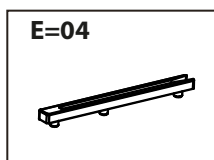
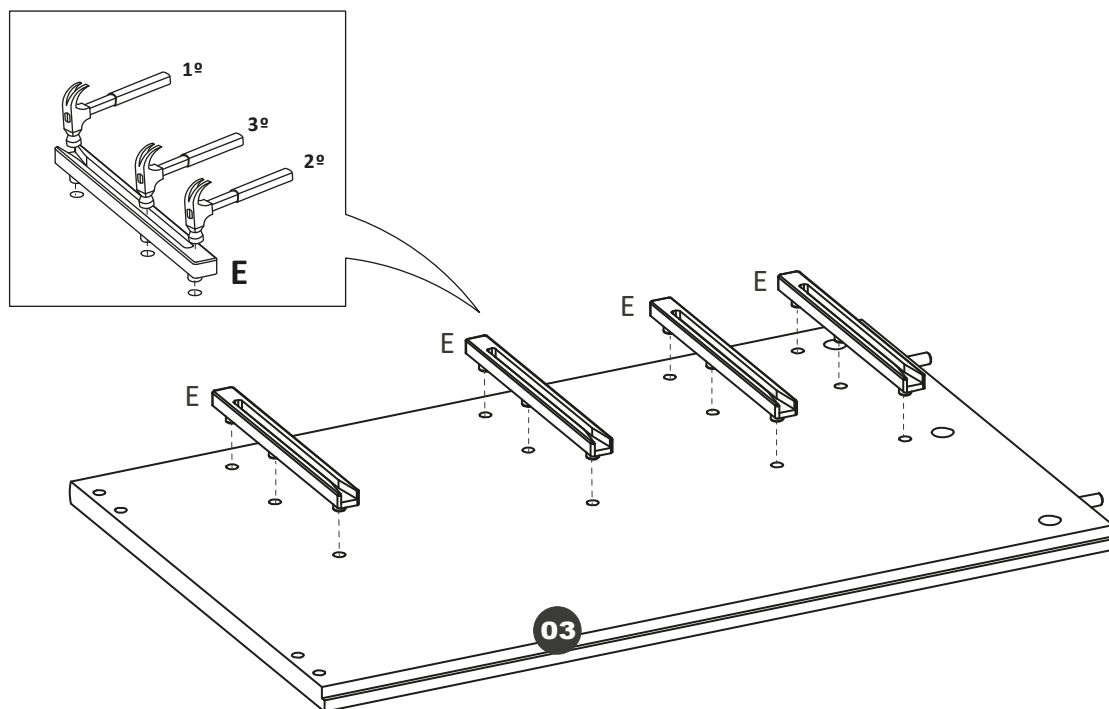
<b>A=12</b>  8,0 x 30mm	<b>B=04</b>  4,0 x 30mm	<b>C=32</b>  3,0 x 25mm	<b>D=22</b> 	<b>E=08</b> 	<b>F=04</b> 
<b>G=04</b> 	<b>H=06</b> 	<b>I=06</b> 			



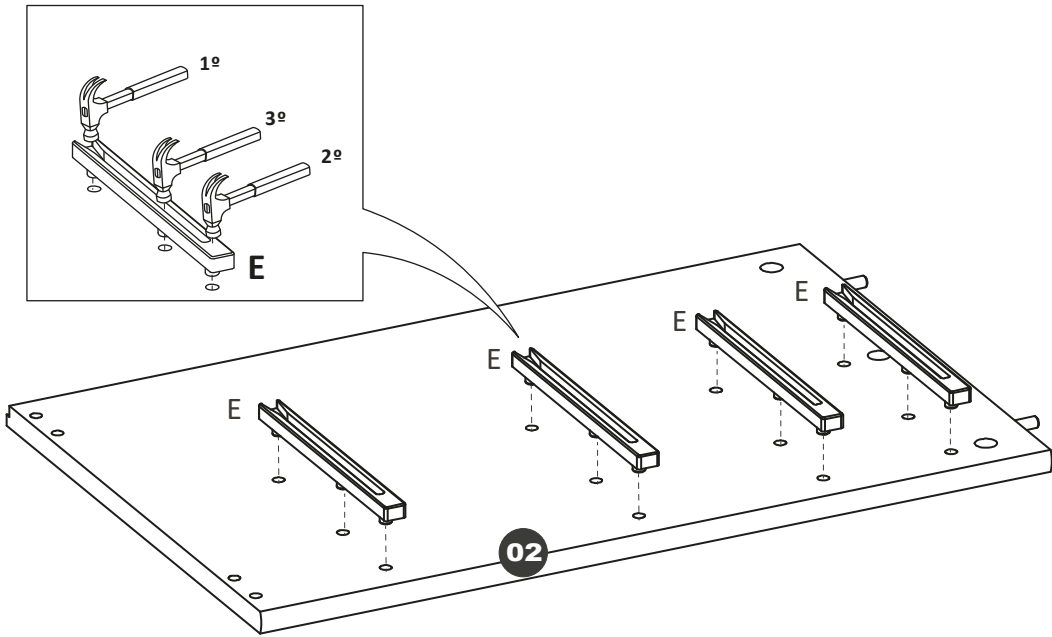
# 1



# 2



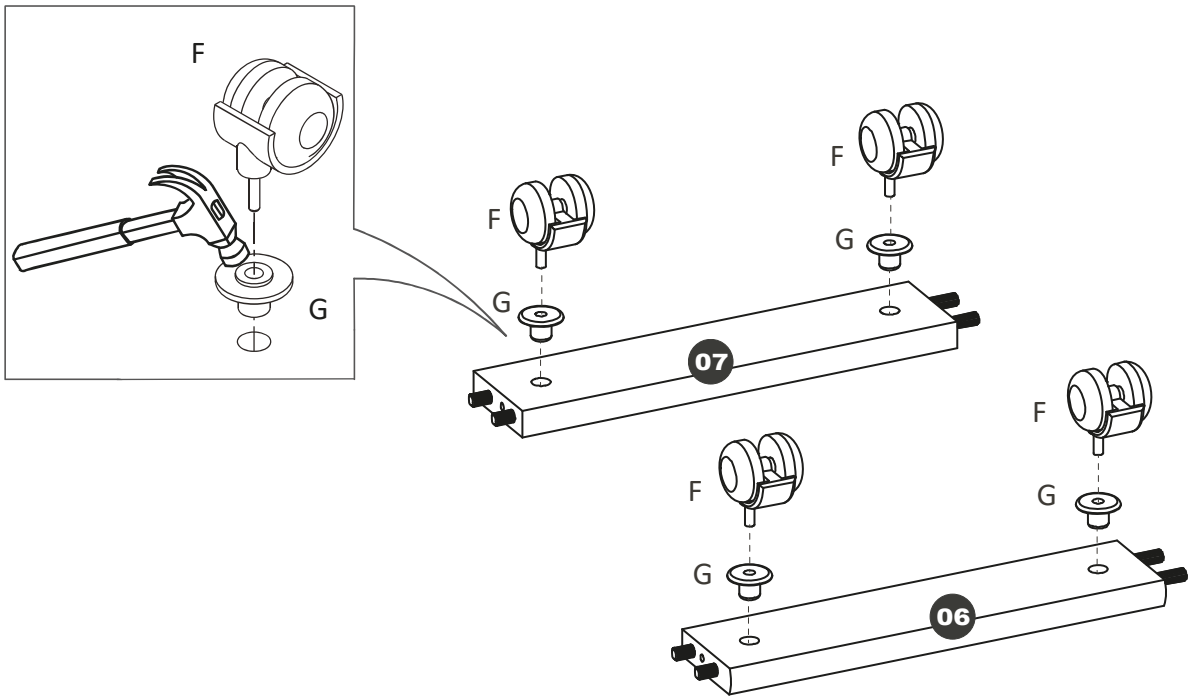
**3**



**E=04**



**4**

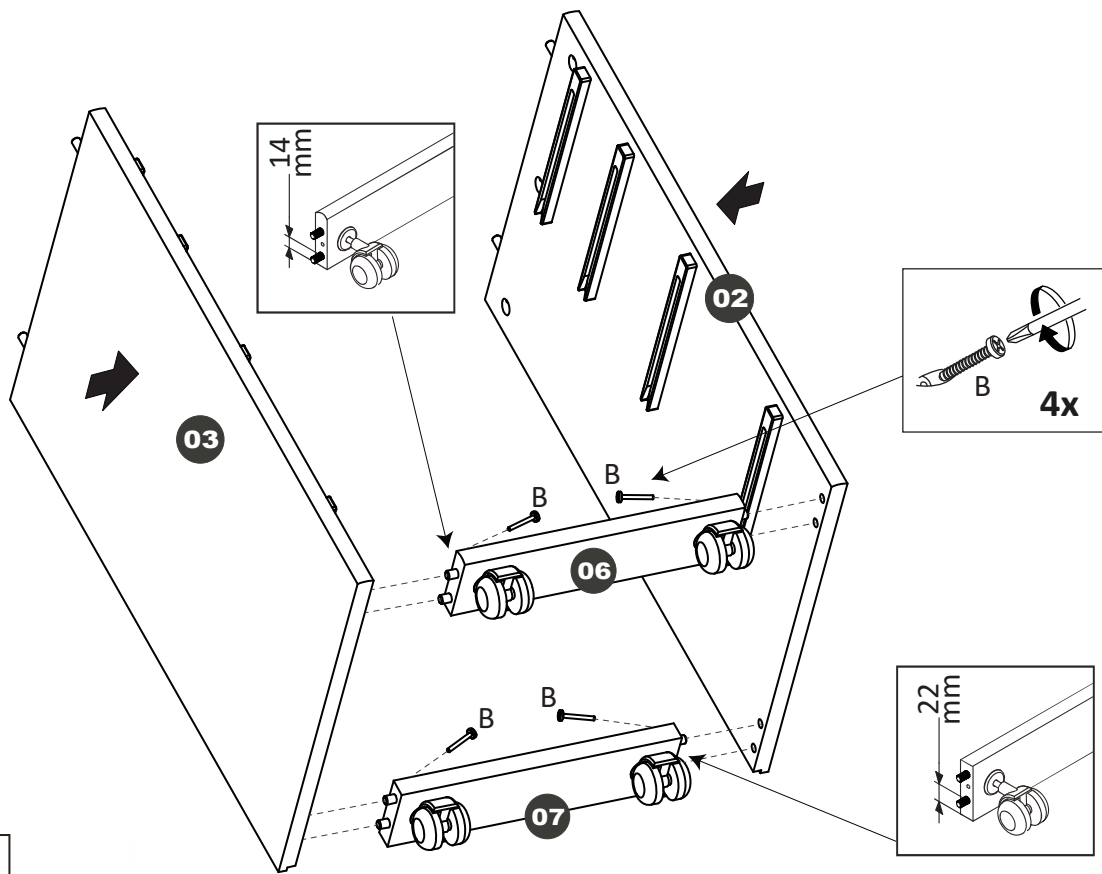


**G=04**

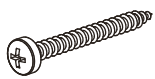
**F=04**



5

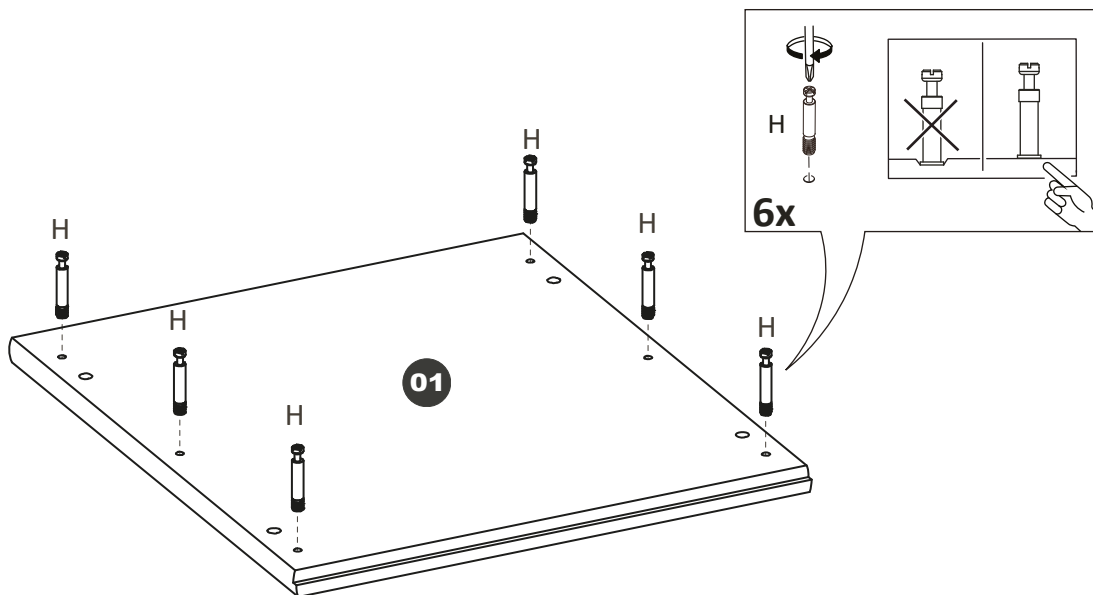


B=04

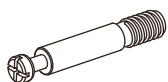


4,0 x 30mm

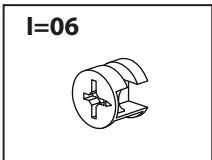
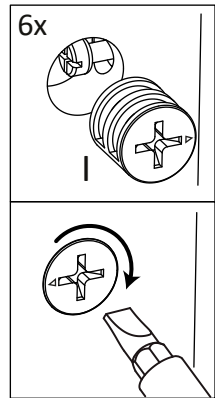
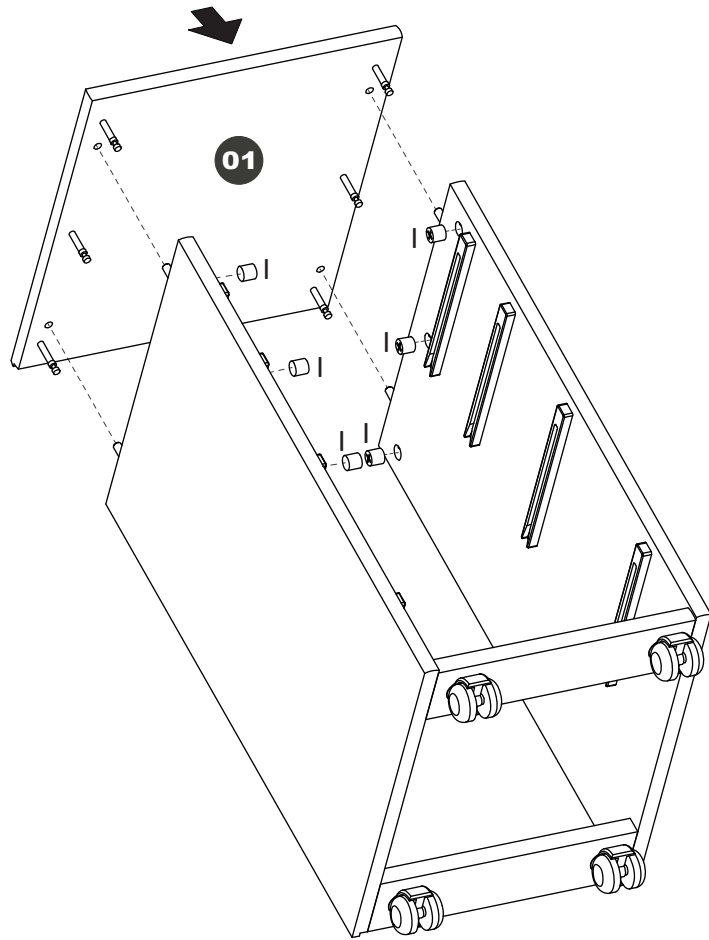
6



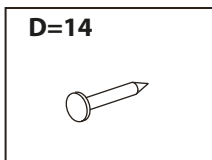
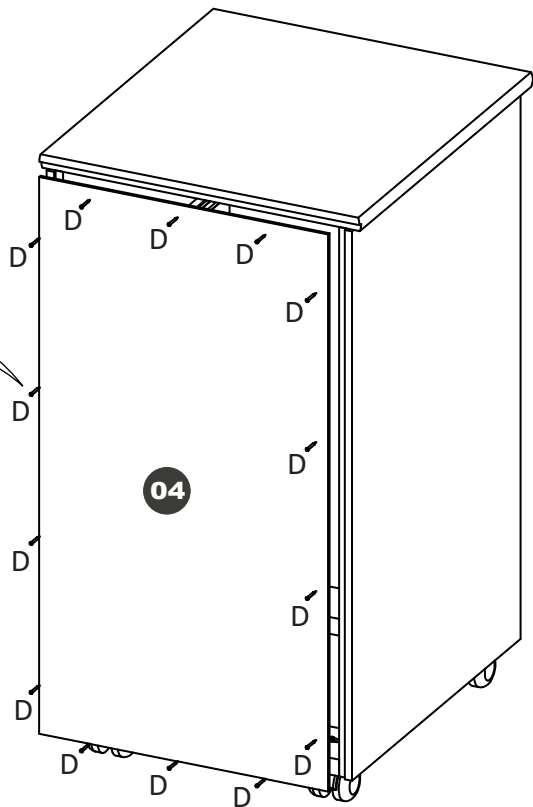
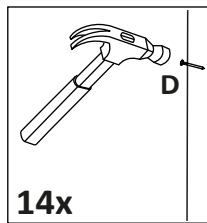
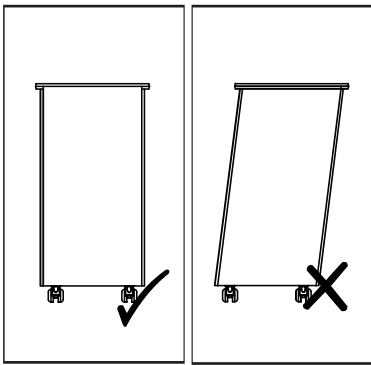
H=06



**7**

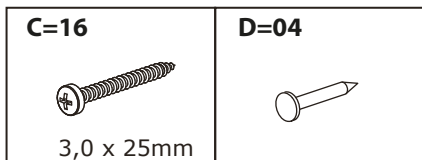
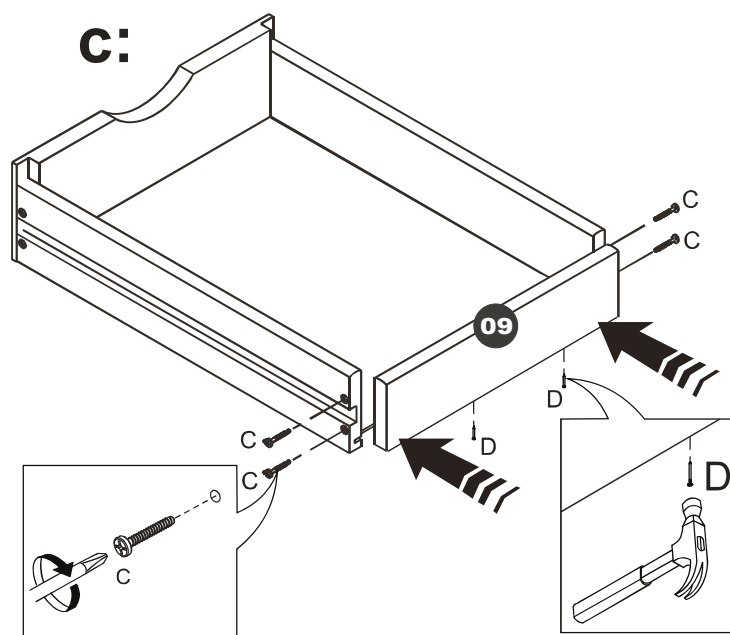
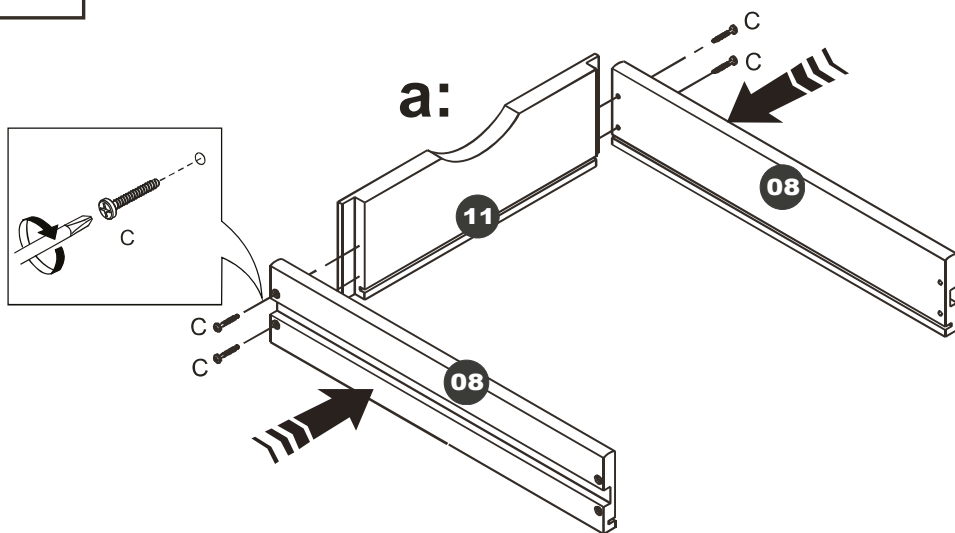


**8**



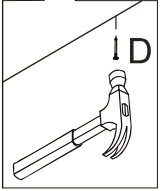
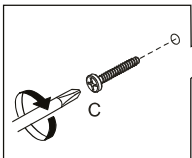
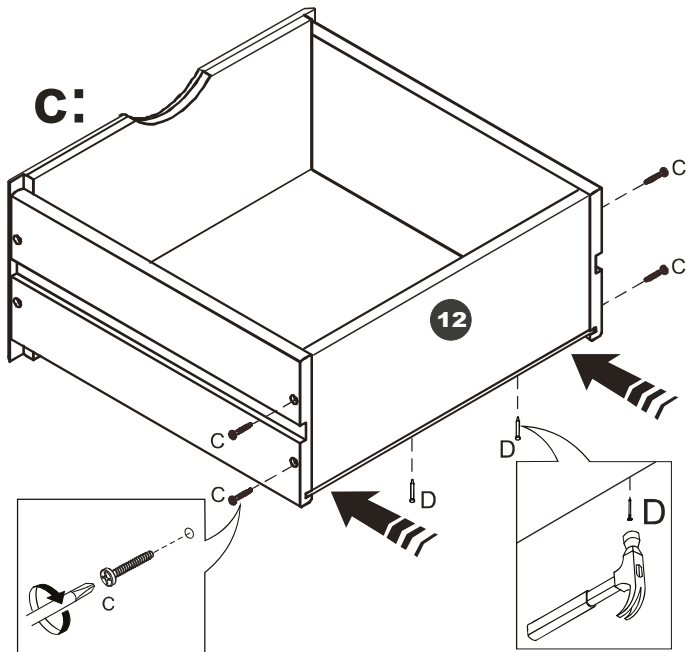
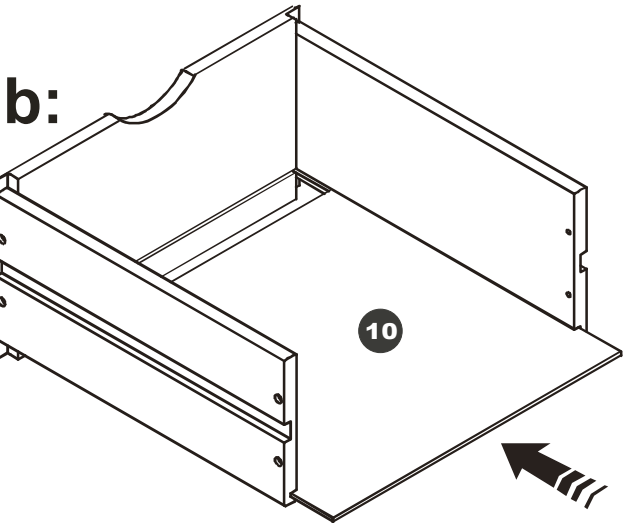
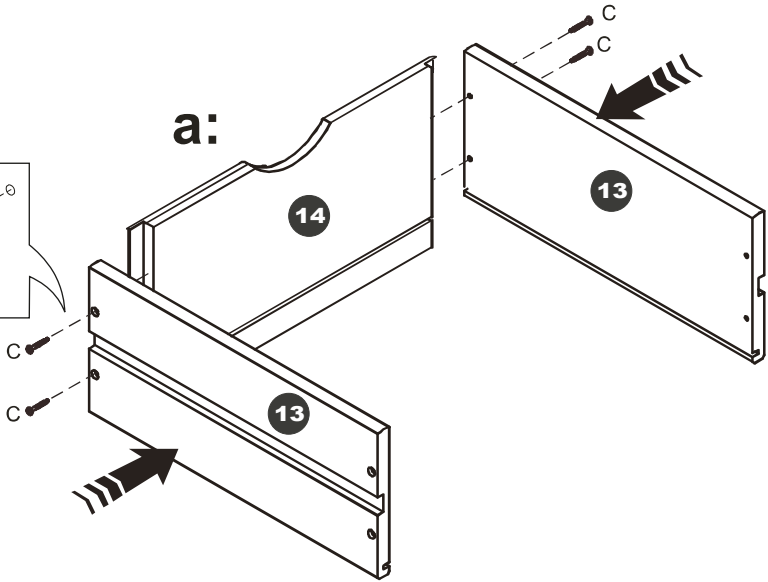
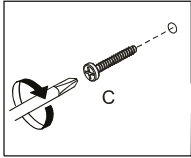
9


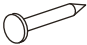
2x



**10**

**2x**



<b>C=16</b>  3,0 x 25mm	<b>D=04</b> 
--	--

**11**

