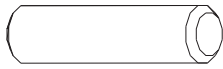

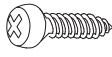

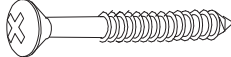


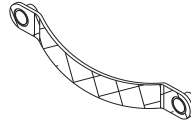
A x 40  Ø8x30mm

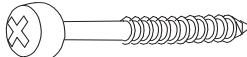
H x 4 

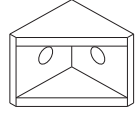
B x 19  Ø3,5x14mm

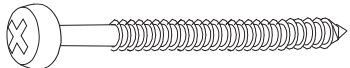
I x 16 

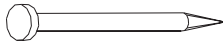
C x 24  Ø3,5x30mm

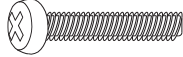
J x 8 

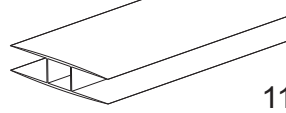
D x 2  Ø4,0x35mm


K x 7 

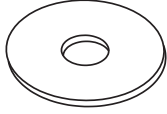
E x 16  Ø4,5x50mm


L x 34 

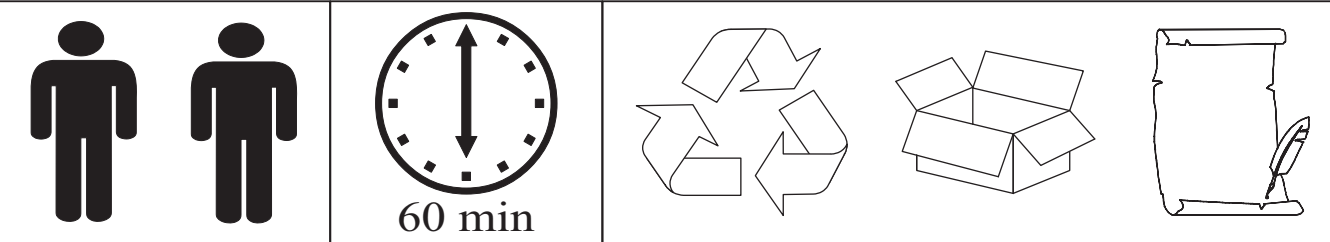
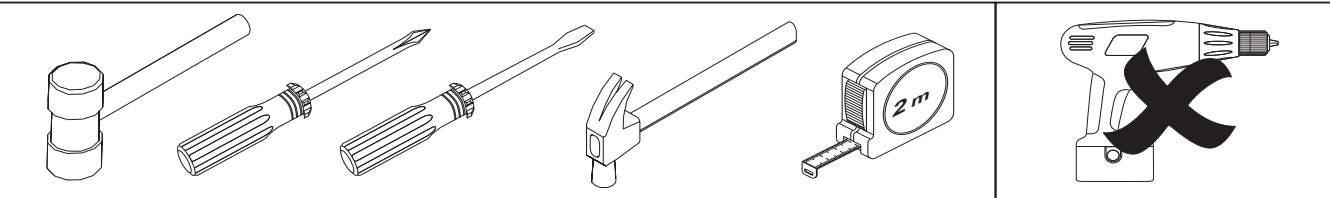
F x 16  ØM4x16mm

M x 1  1100mm

G x 20 

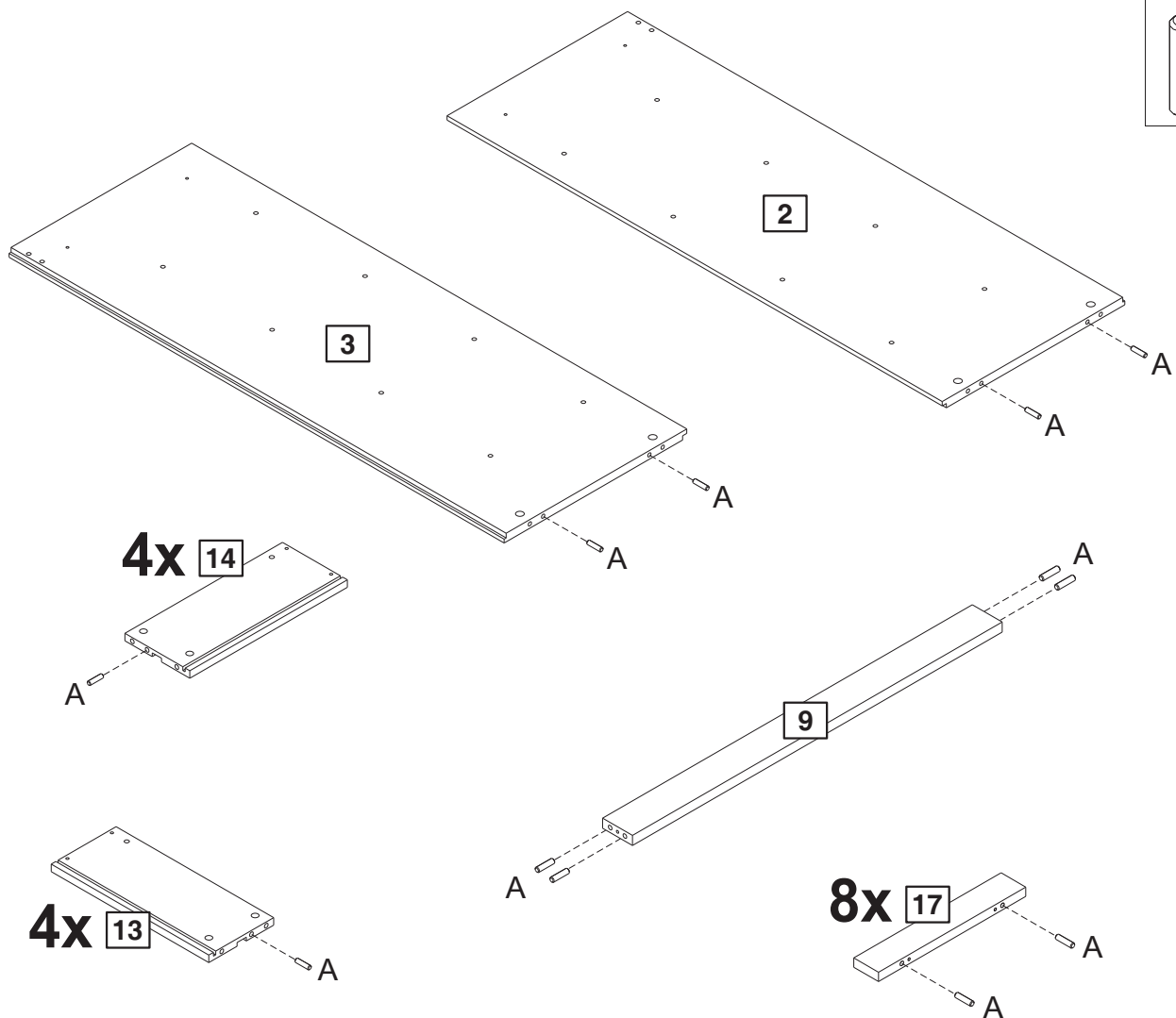
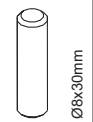
N x 2 

O x 1 



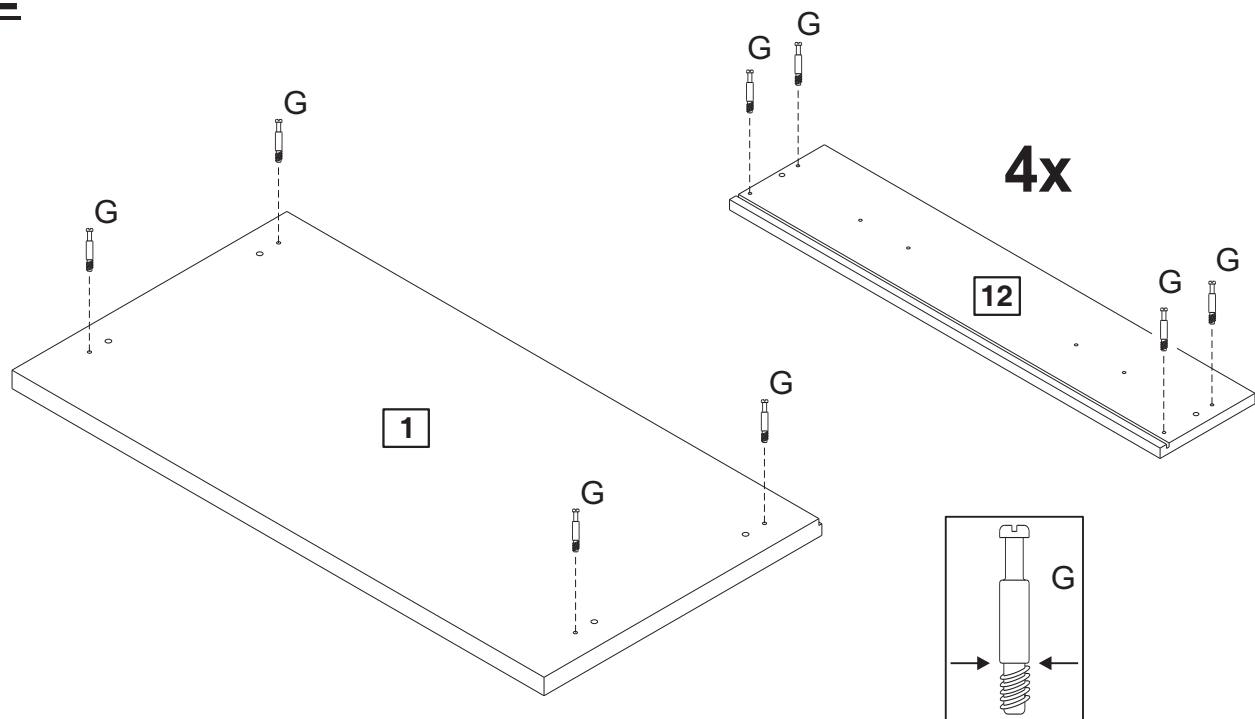
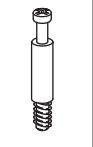
1

Ax32


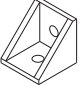


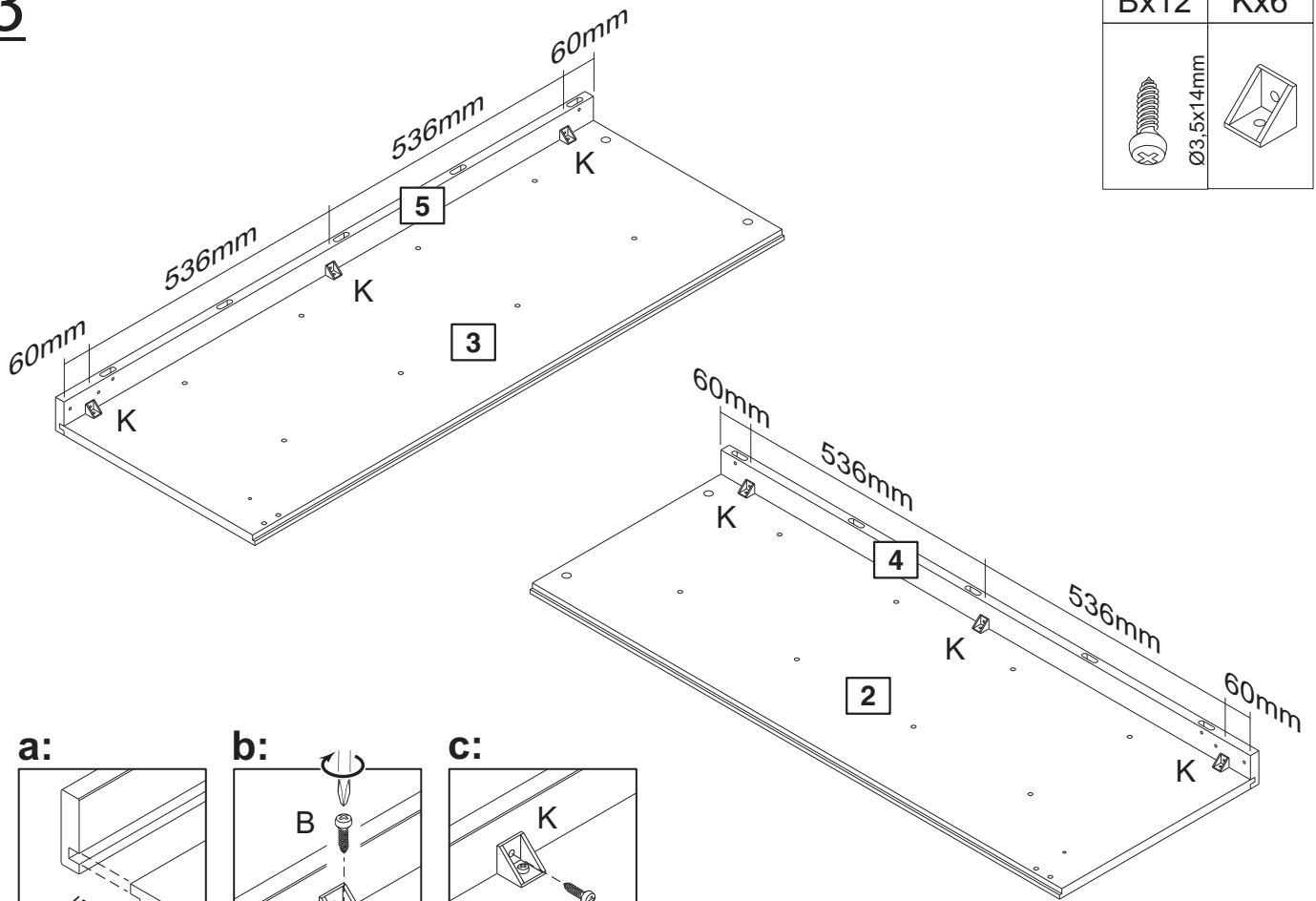
2

Gx20

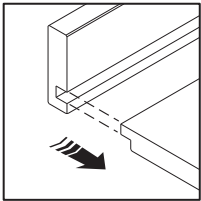


3

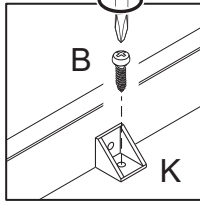
| | |
|---|---|
| Bx12 | Kx6 |
|  |  |
| Ø3,5x14mm | |



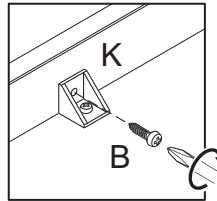
a:



b:

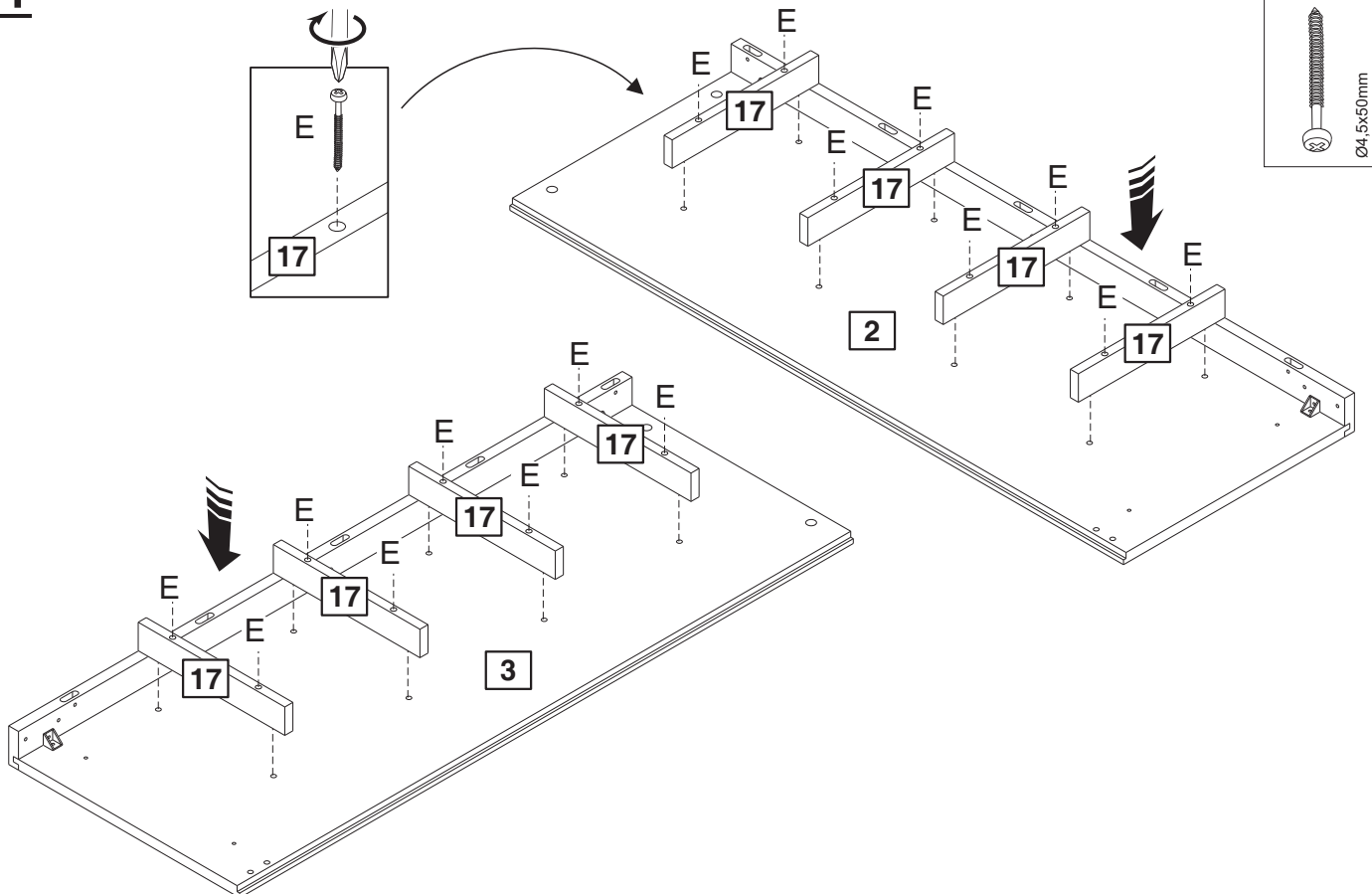
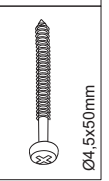


c:

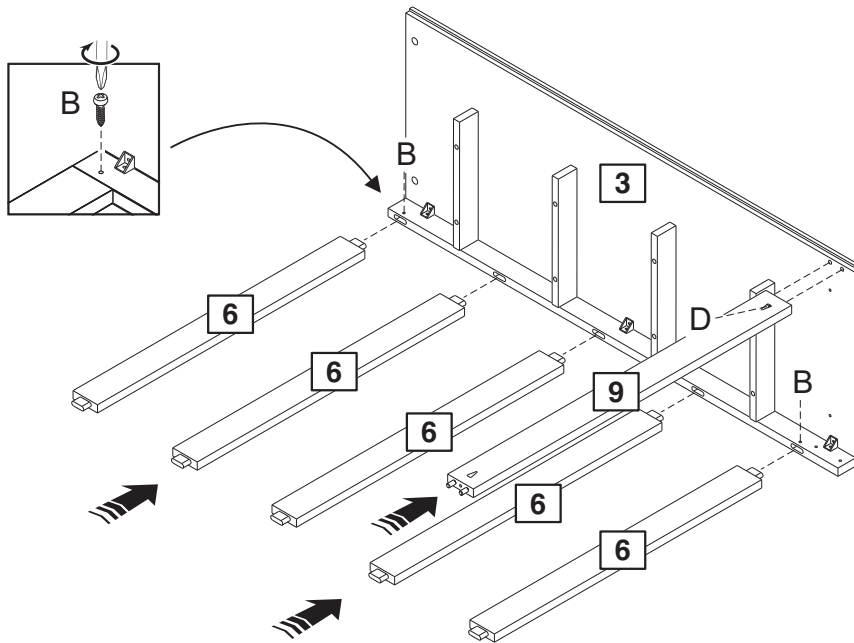



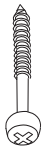
4

Ex16

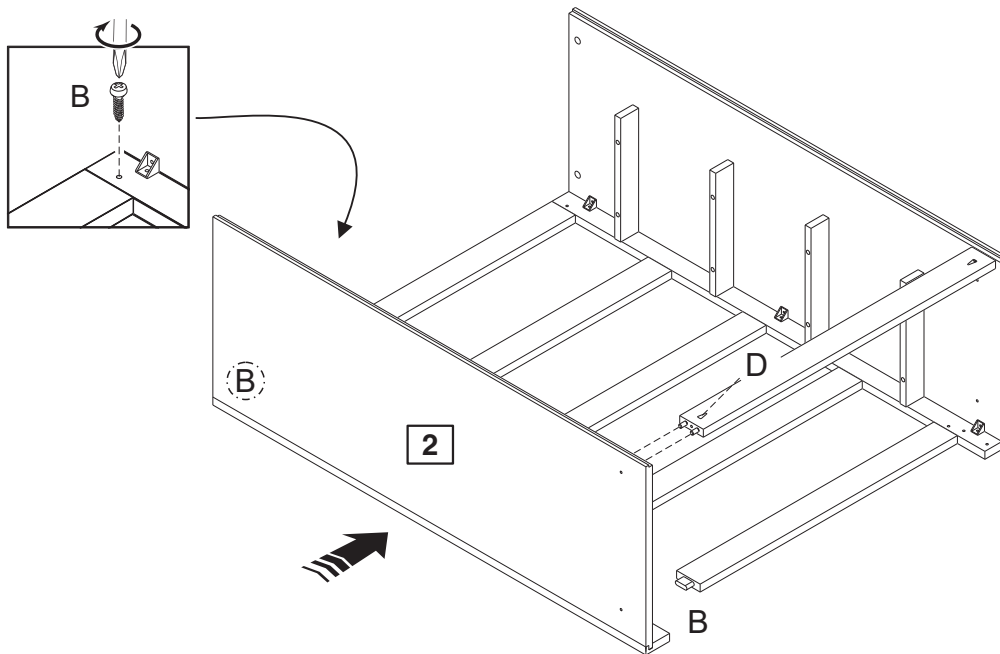




5



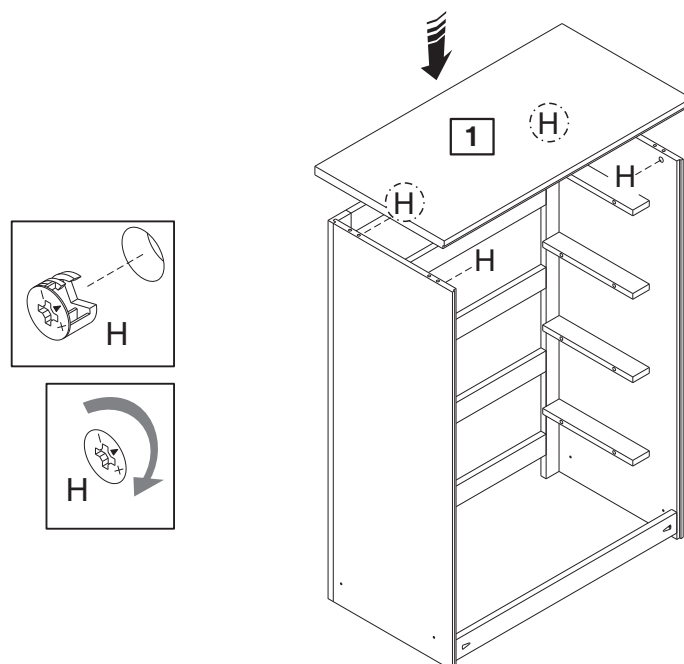
| Bx2 | Dx1 |
|---|---|
|  |  |
| Ø3,5x14mm | Ø4,0x35mm |


6



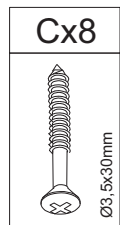
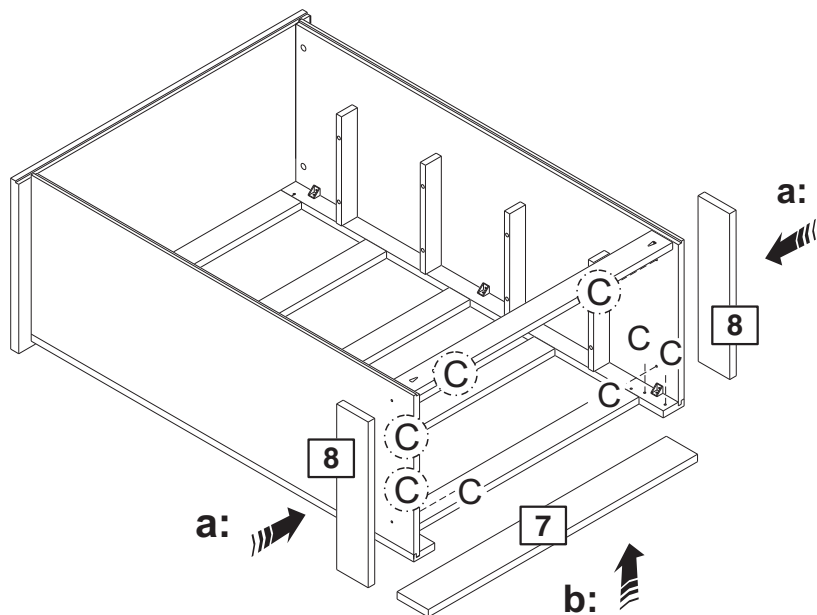
| Bx2 | Dx1 |
|---|---|
|  |  |
| Ø3,5x14mm | Ø4,0x35mm |

7

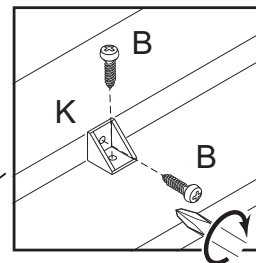
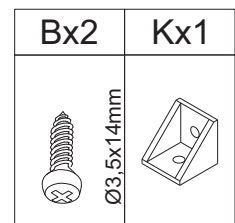
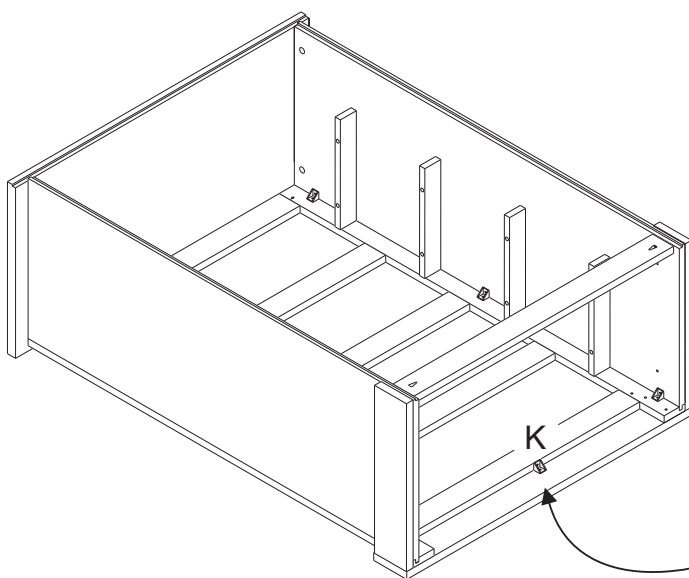


| Hx4 |
|---|
|  |

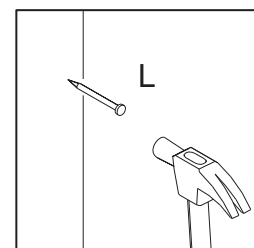
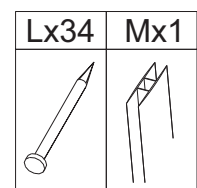
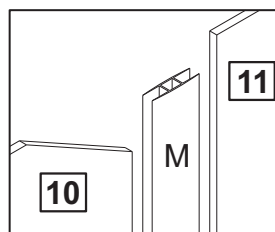
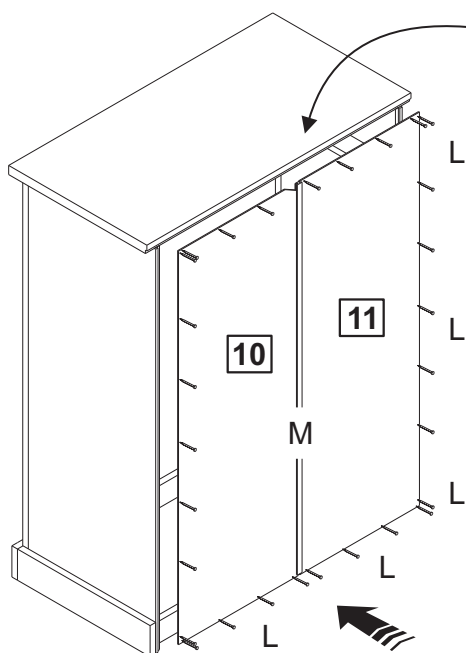
8



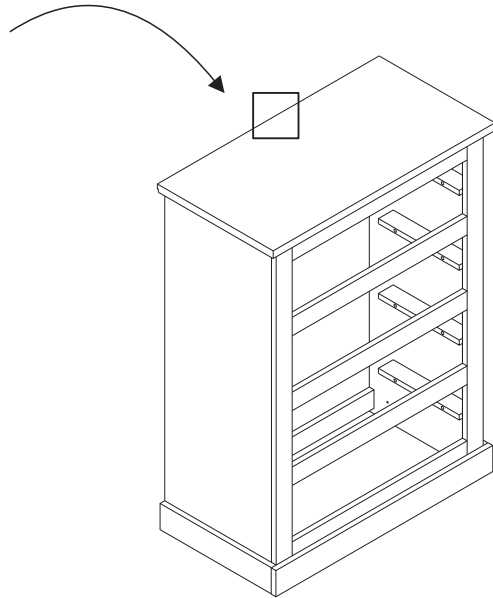
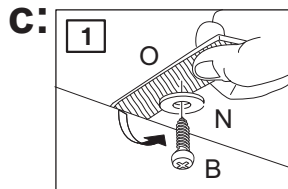
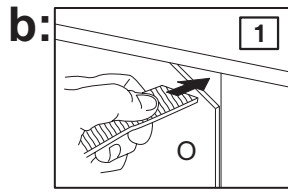
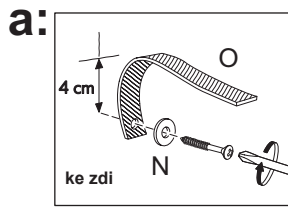
9






10

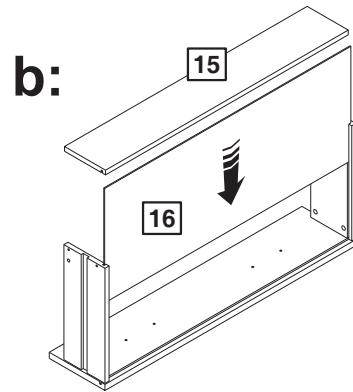
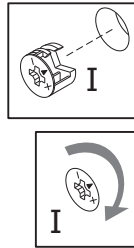
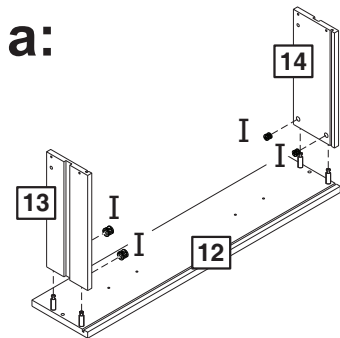


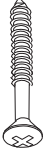



11

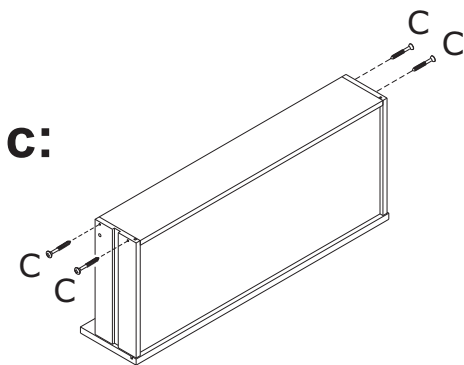


| Bx1 | Nx2 | Ox1 |
|--|---|---|
|  Ø3.5x14mm |  |  |

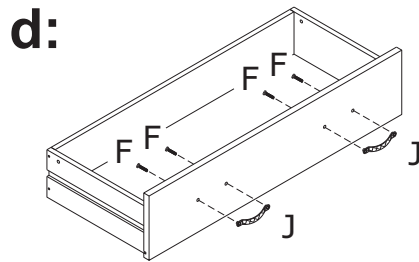
12



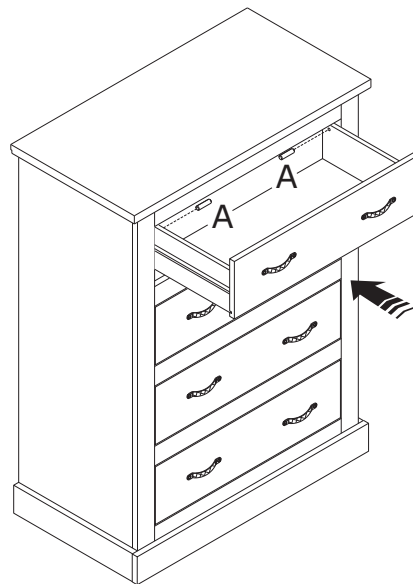
| Cx16 | Fx16 |
|--|---|
|  Ø3.5x30mm |  ØM4x16mm |
| Ix16 | Jx8 |
|  |  |




4x



13



| Ax8 |
|--|
|  Ø8x30mm |

