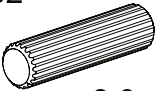

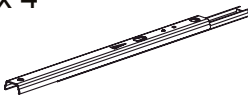
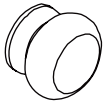
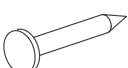
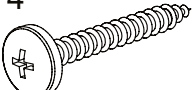

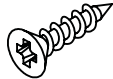
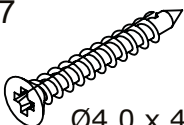

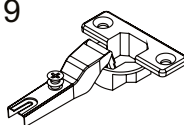
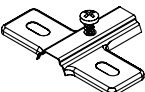
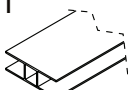
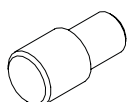
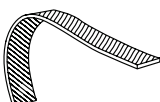

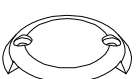


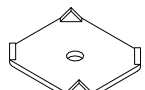
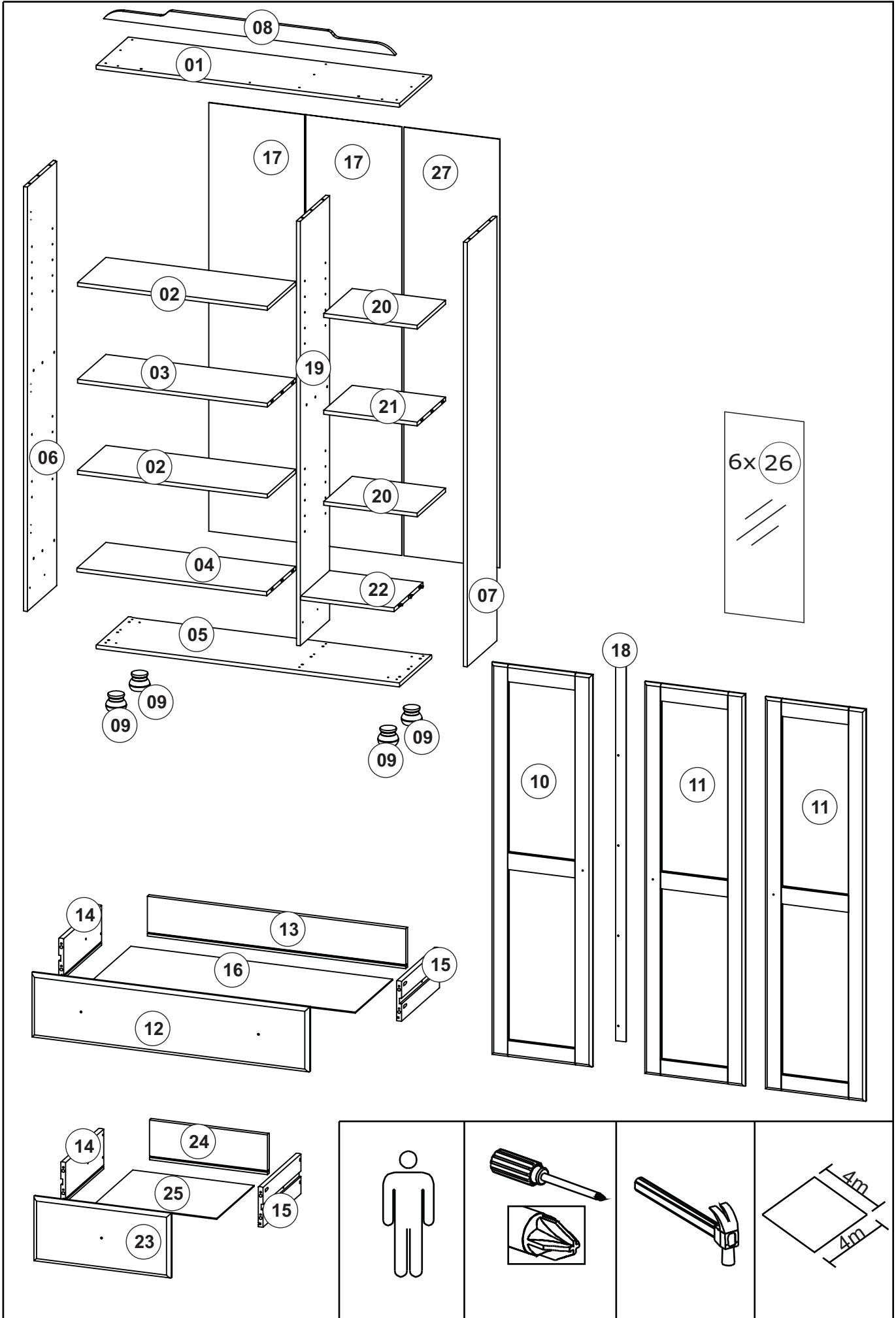
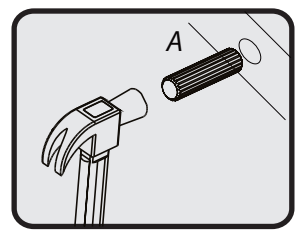
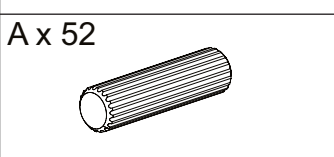
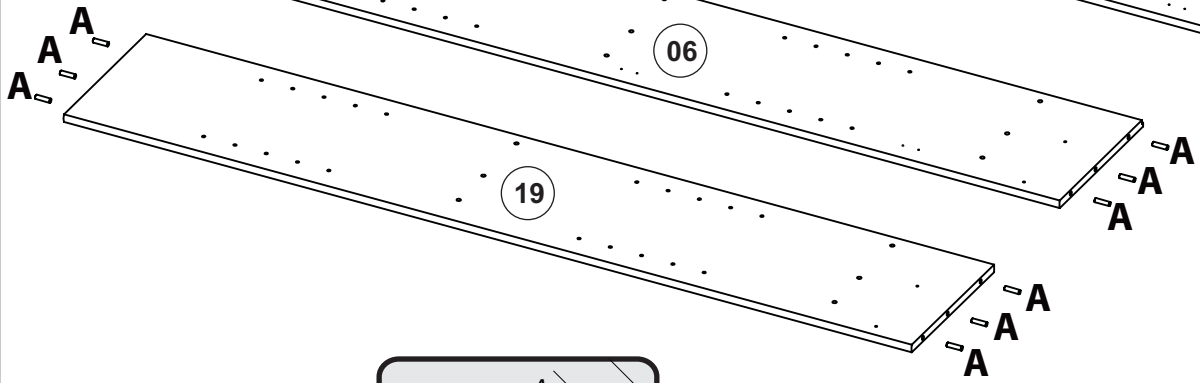
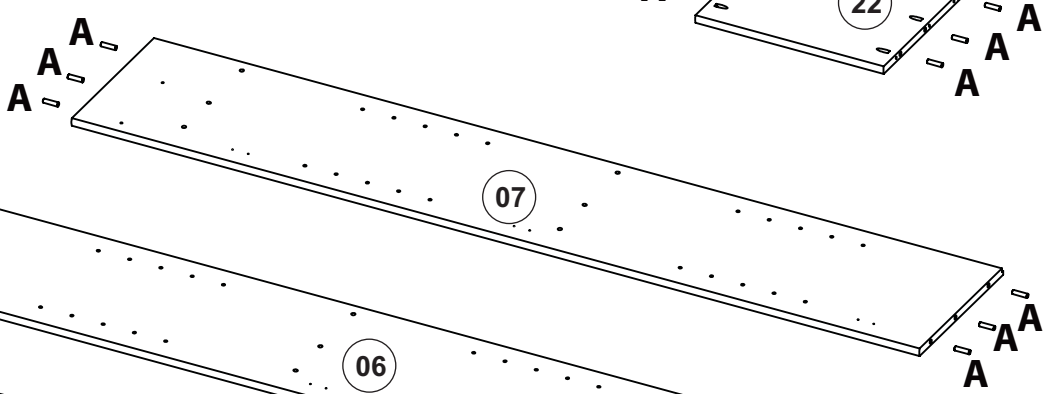
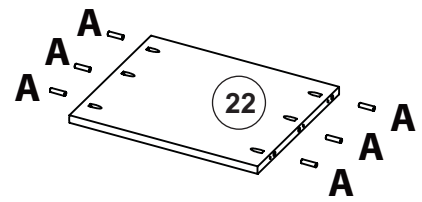
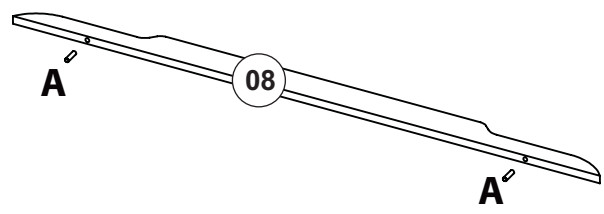
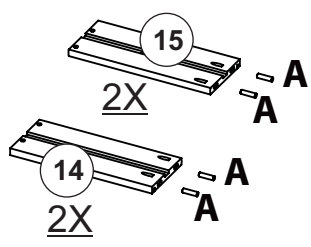
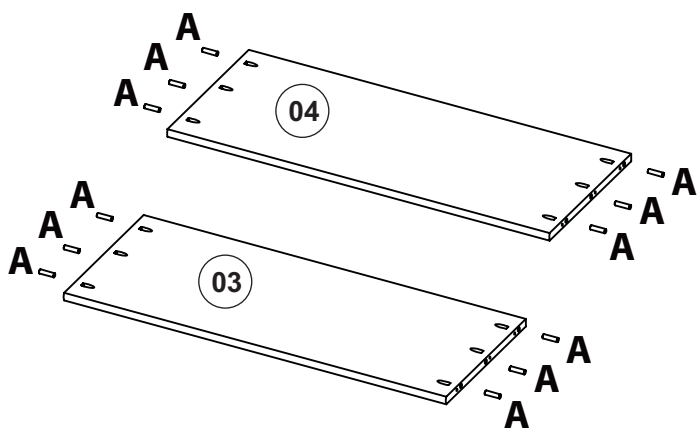
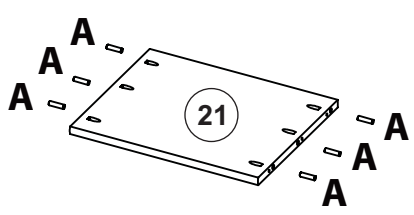


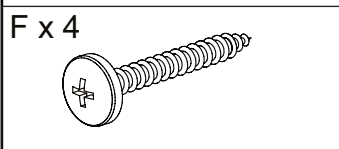
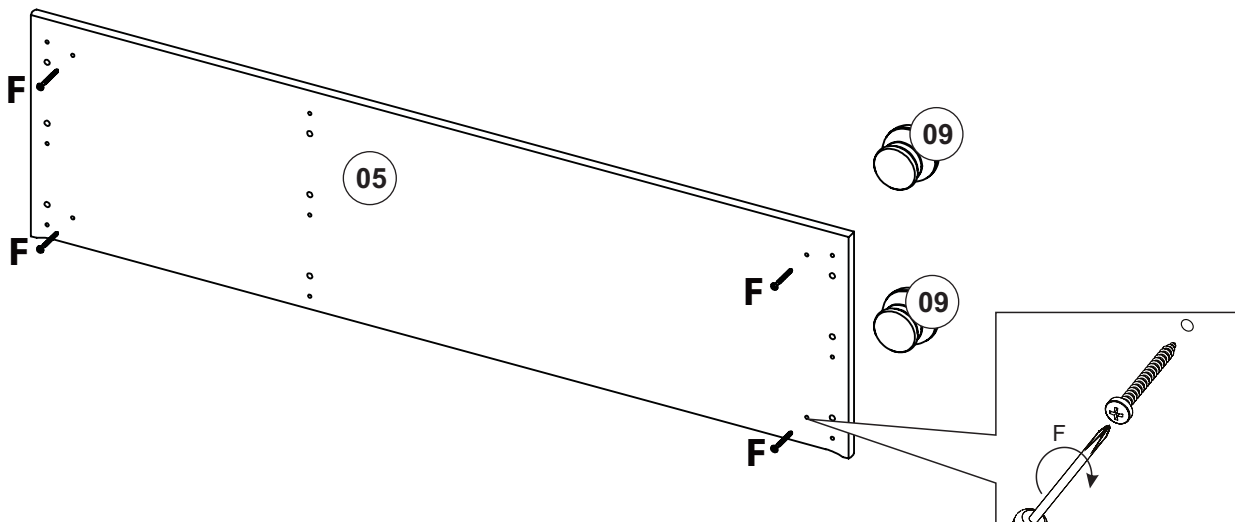
<p>A x 52</p>  <p>8,0 x 30mm</p>	<p>B x 40</p>  <p>4,0 x 30mm</p>	<p>C x 4</p> 	<p>D x 6</p> 
<p>E x 51</p> 	<p>F x 4</p>  <p>4,0 x 50mm</p>	<p>G x 4</p>  <p>M4 x 10mm</p>	<p>H x 37</p>  <p>3,5 x 14mm</p>
<p>I x 27</p>  <p>Ø4,0 x 40mm</p>	<p>J x 8</p>  <p>6,0 x 10mm</p>	<p>K x 9</p> 	<p>L x 9</p> 
<p>M x 1</p> 	<p>N x 16</p> 	<p>O x 1</p> 	<p>P x 2</p> 
<p>Q x 24</p> 	<p>R x 12</p> 	<p>S x 65</p>  <p>3,0 x 16mm</p>	<p>T x 11</p> 



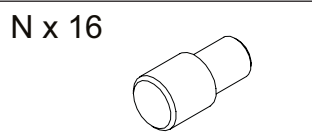
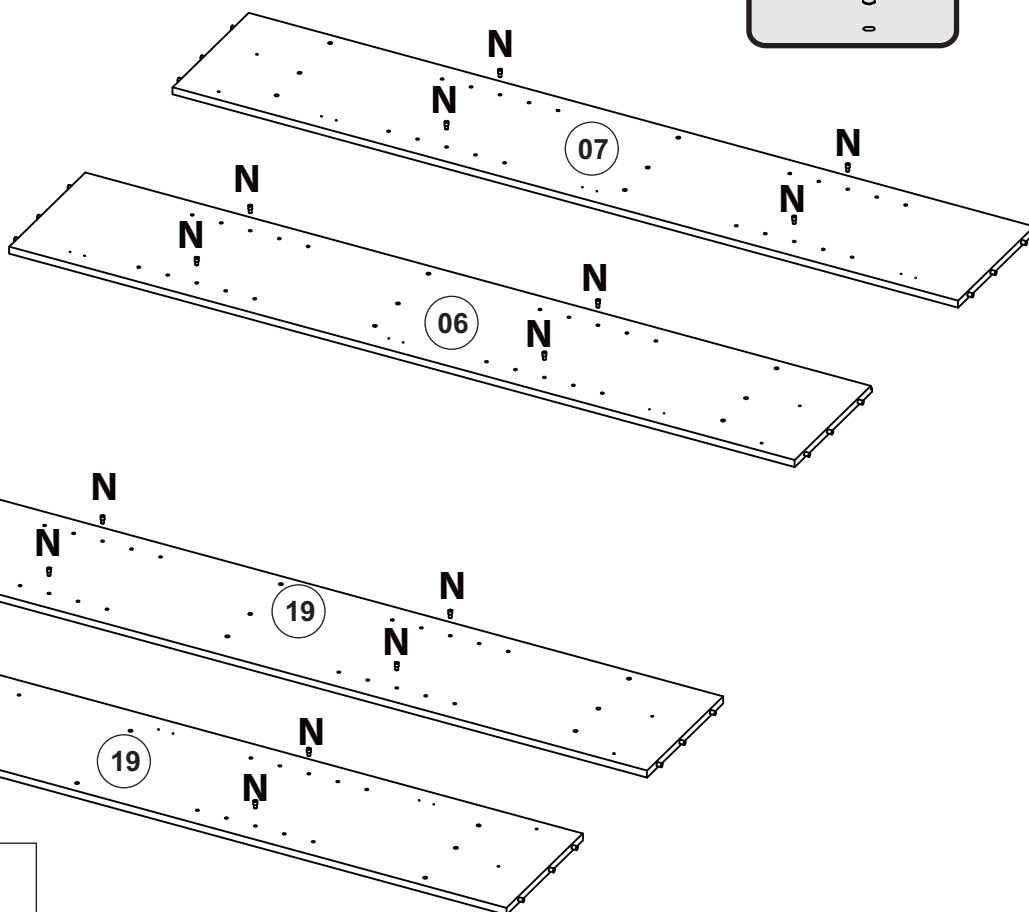
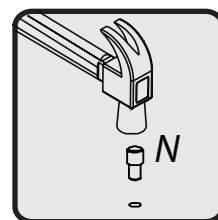
01



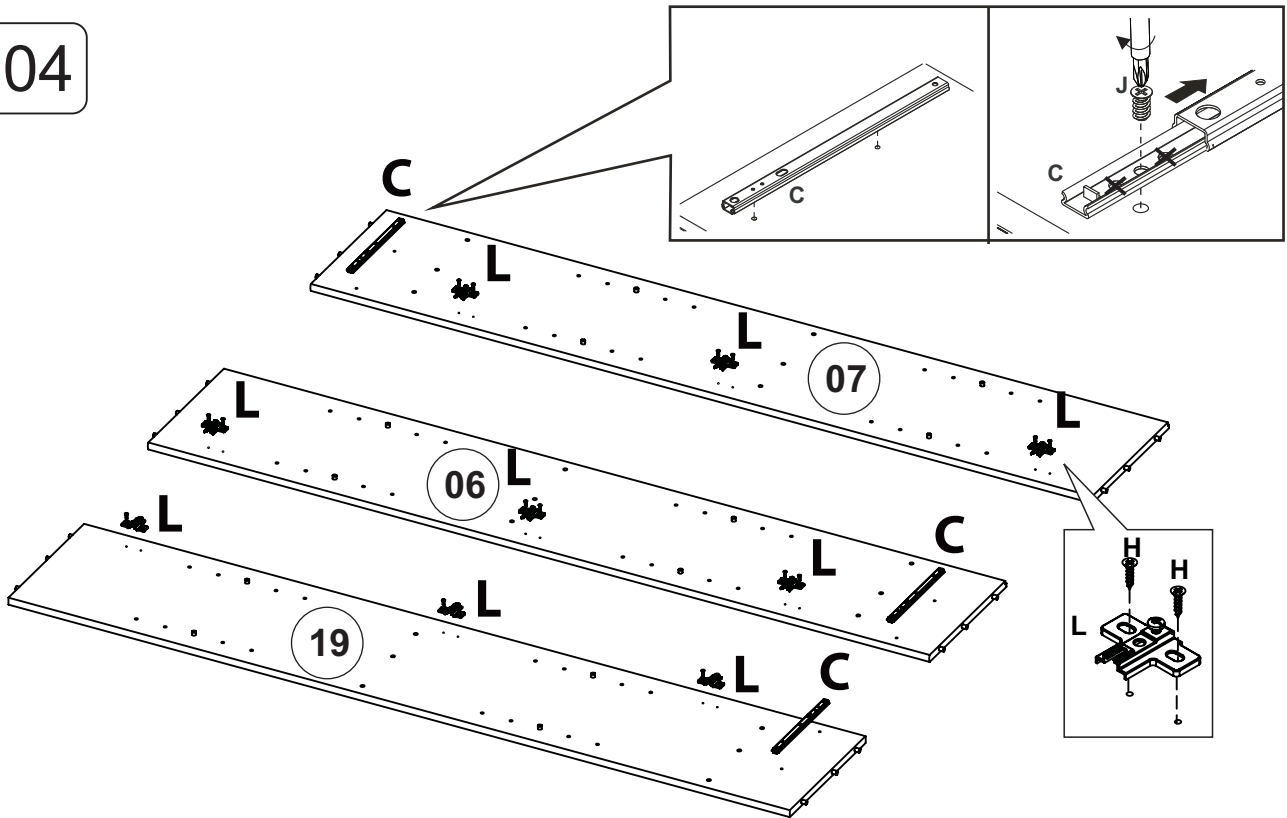
02



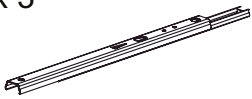
03



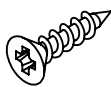
04



C x 3



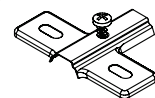
H x 18



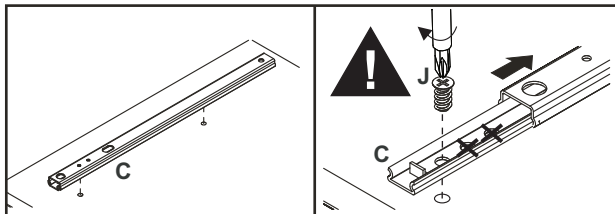
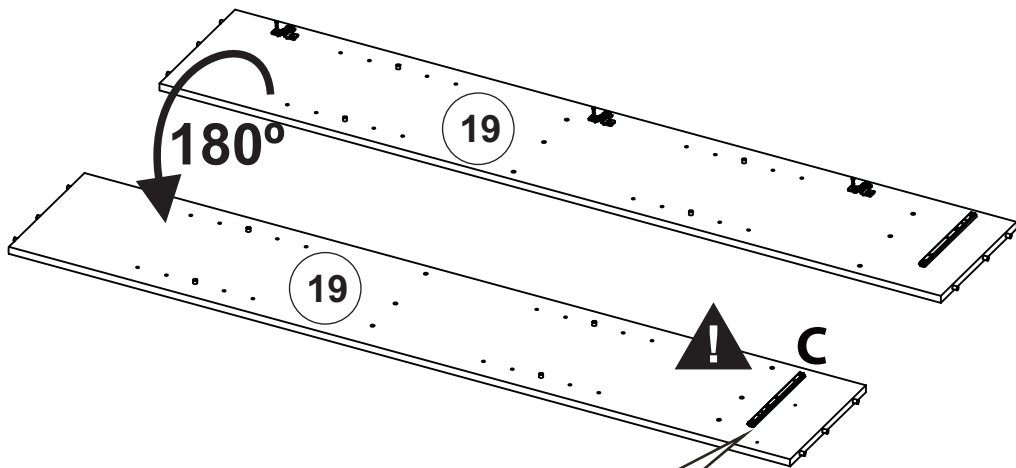
J x 6



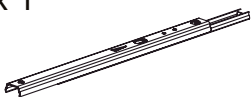
L x 9



05



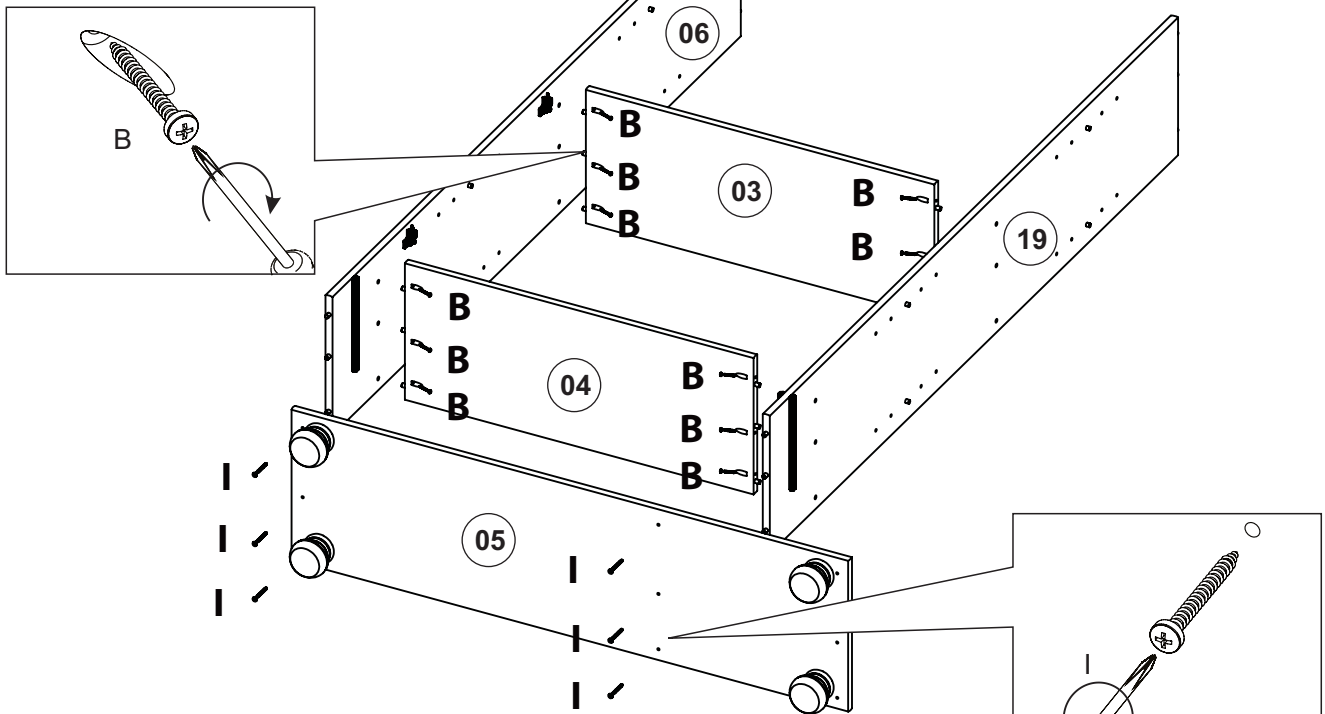
C x 1



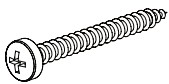
J x 2



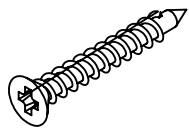
06



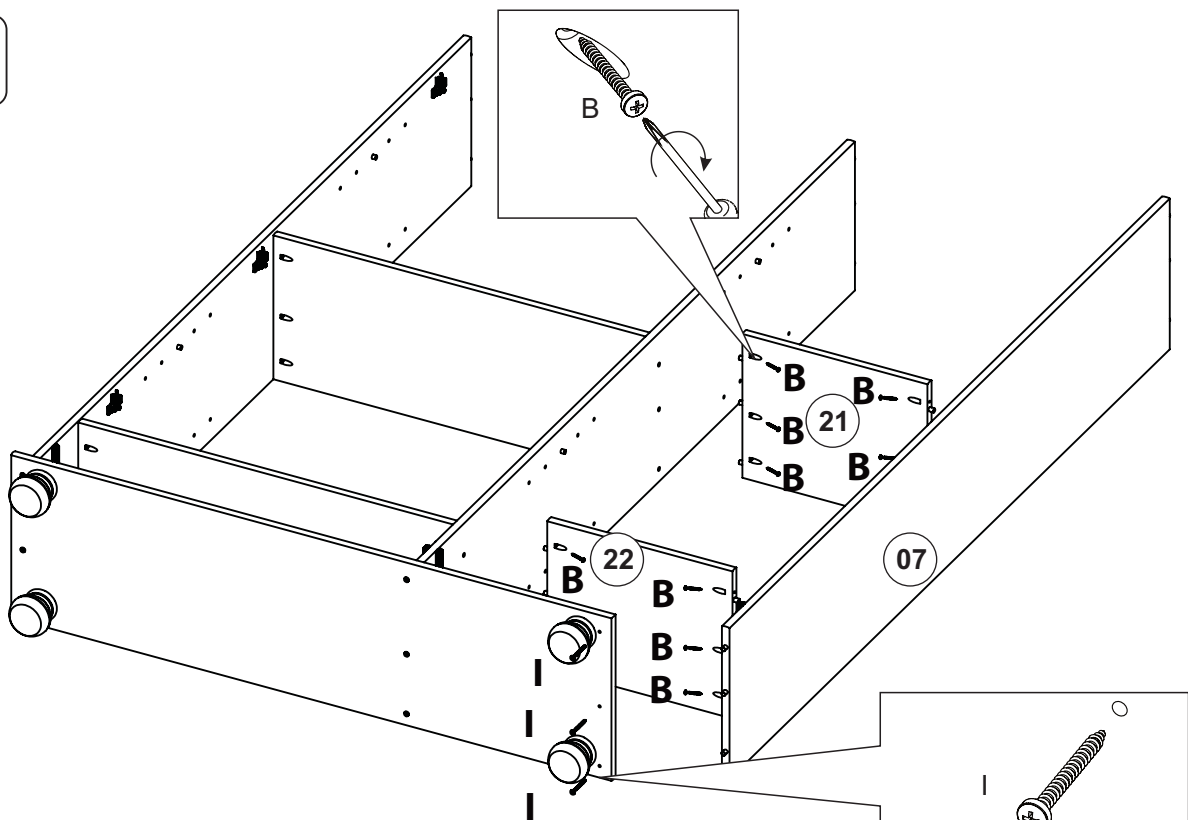
B x 12



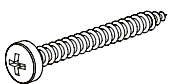
l x 6



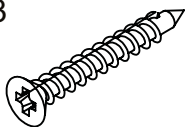
07



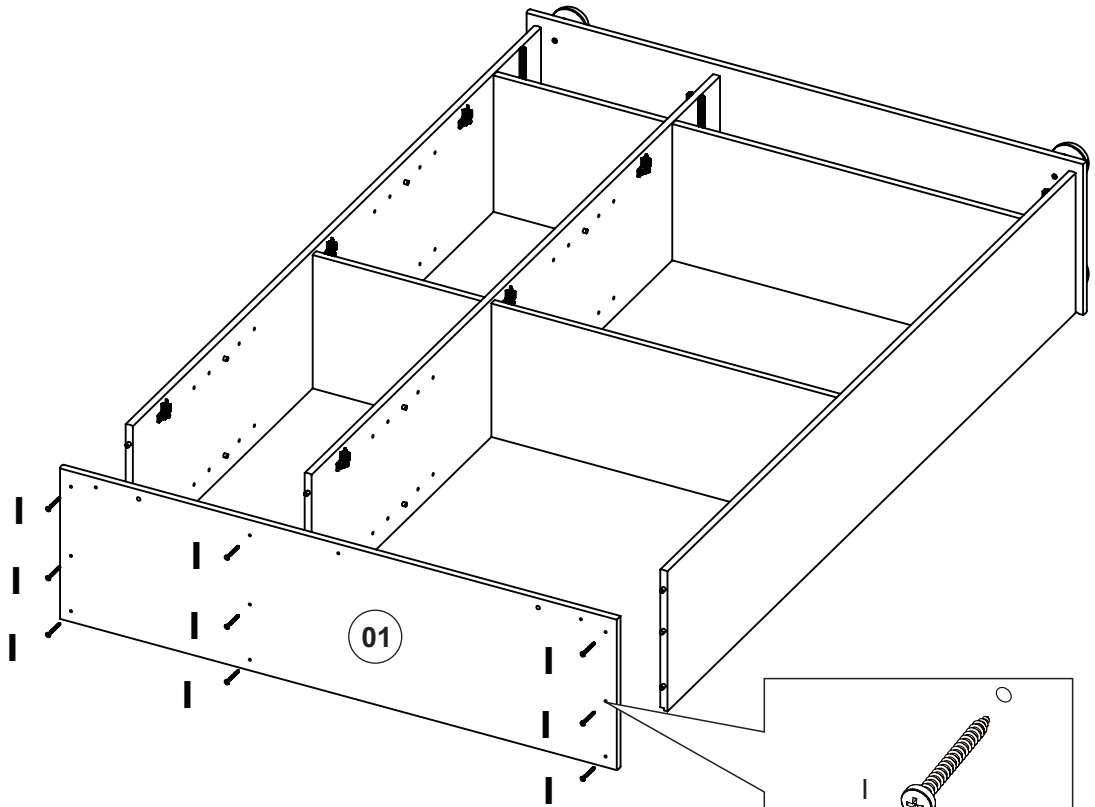
B x 12



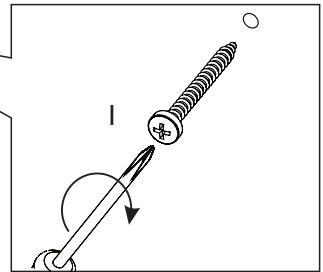
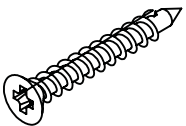
l x 3



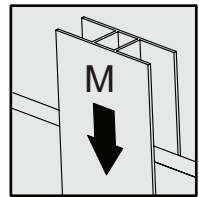
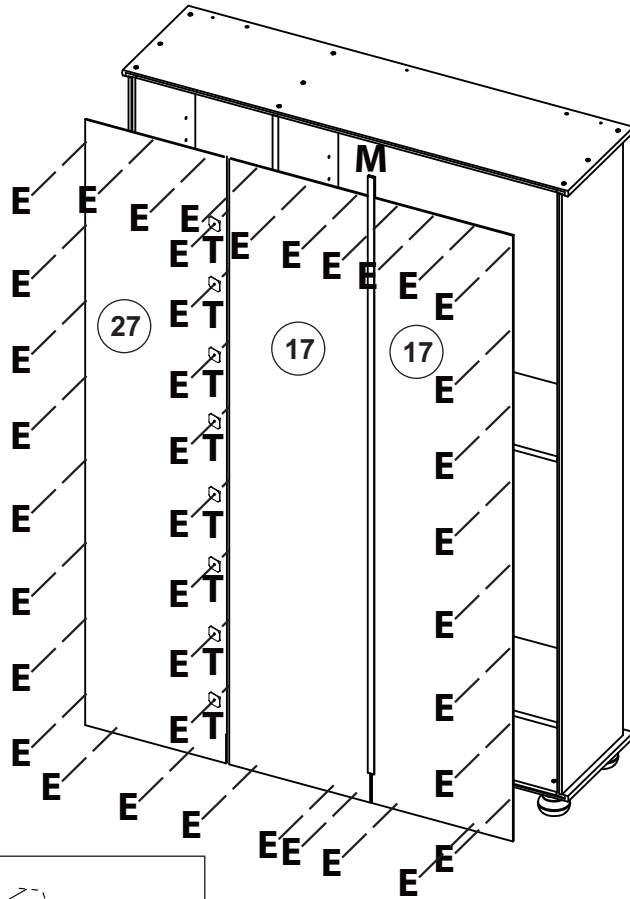
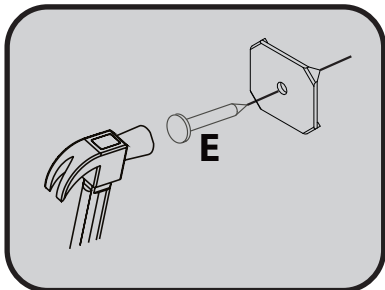
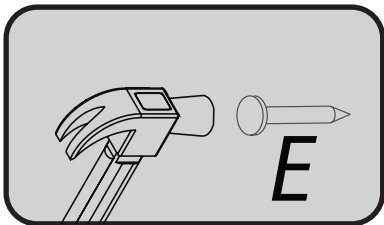
08



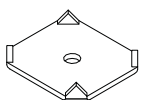
1 x 9



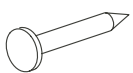
09



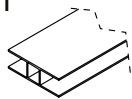
T x 11



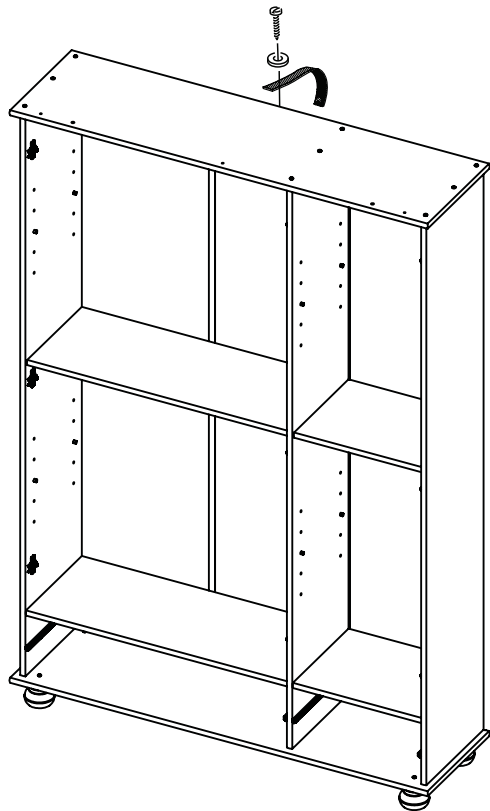
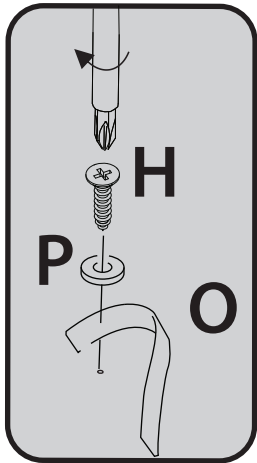
E x 51



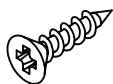
M x 1



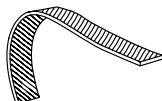
10



H x 1



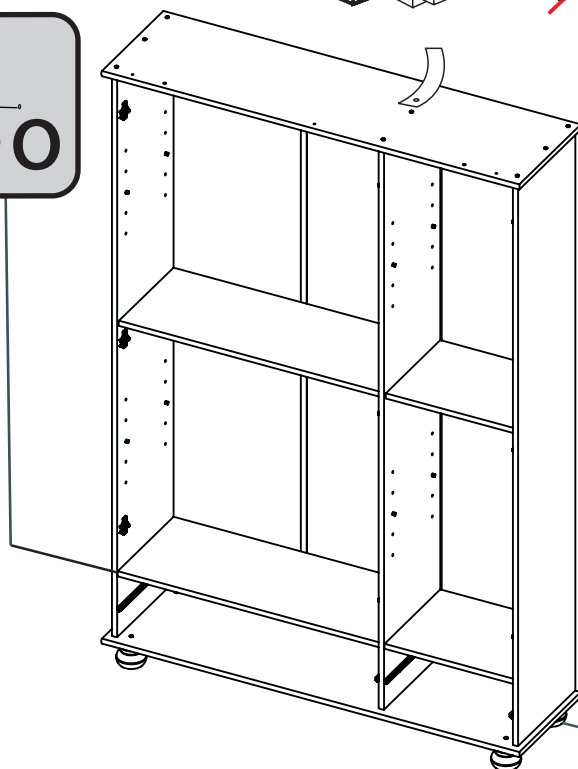
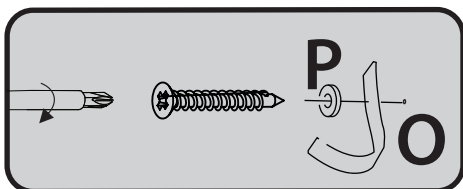
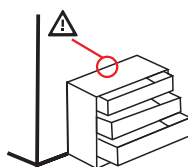
O x 1



P x 1



11

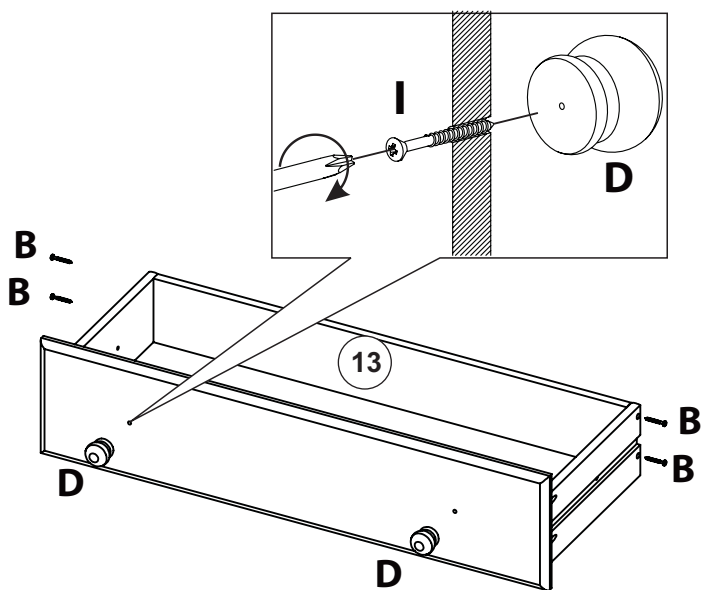
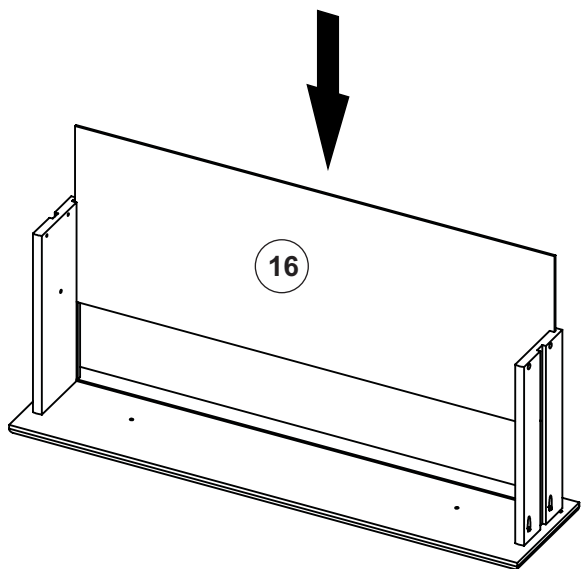
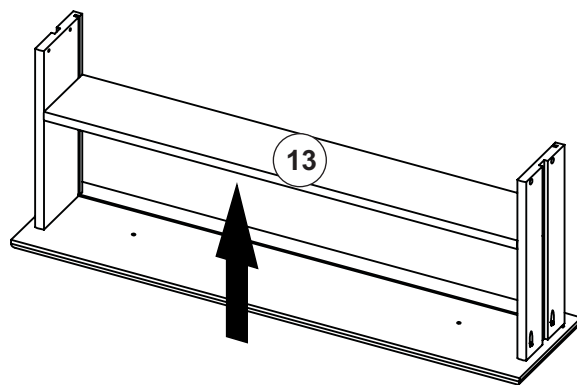
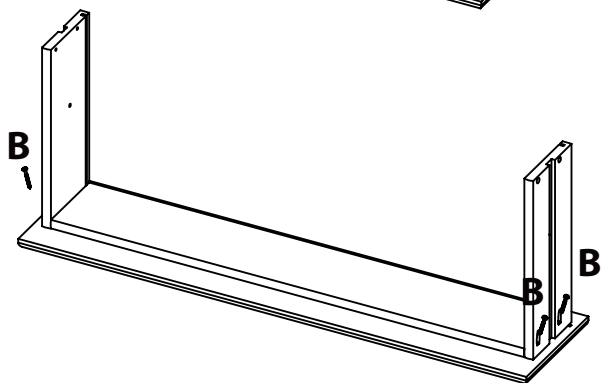
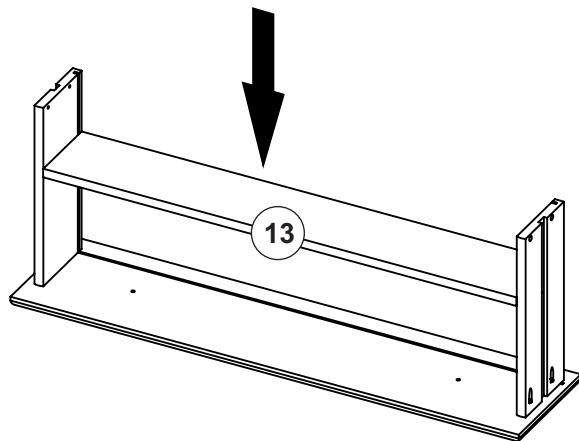
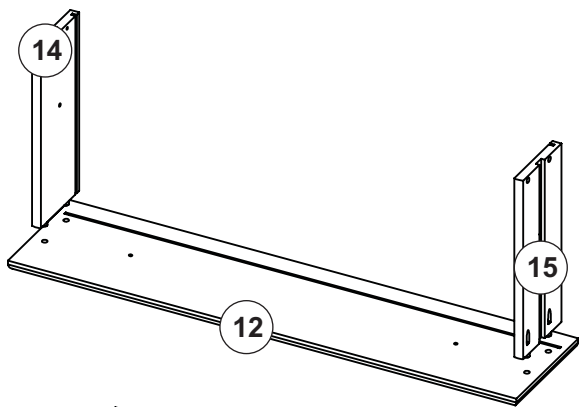


P x 1

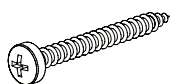




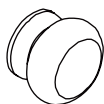
12



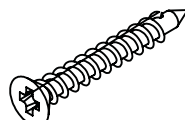
B x 8



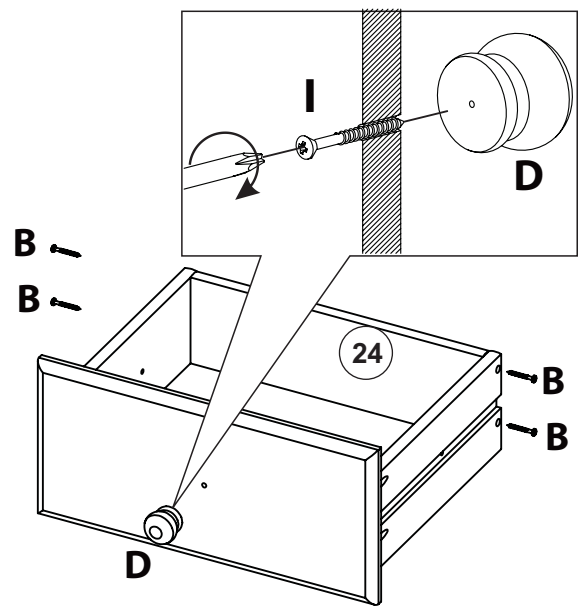
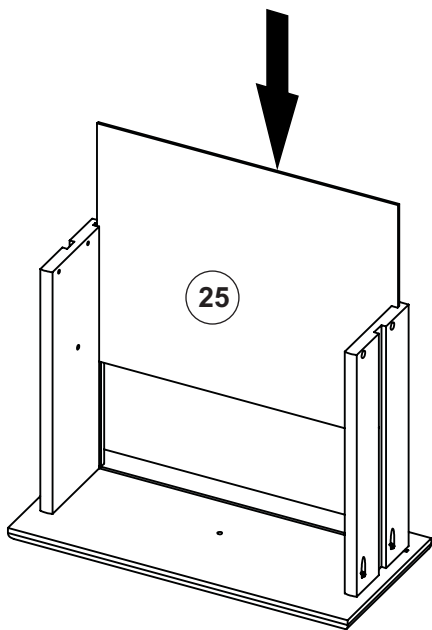
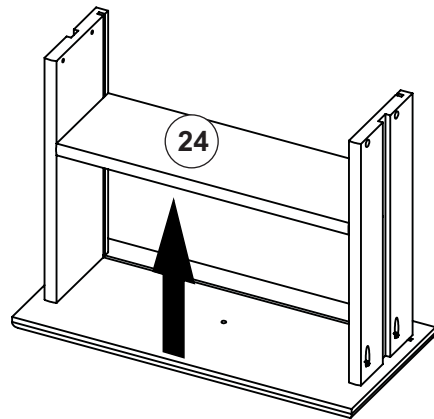
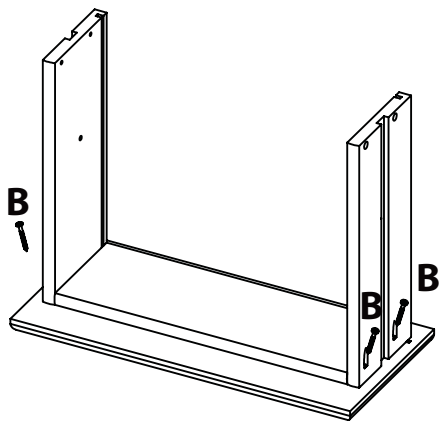
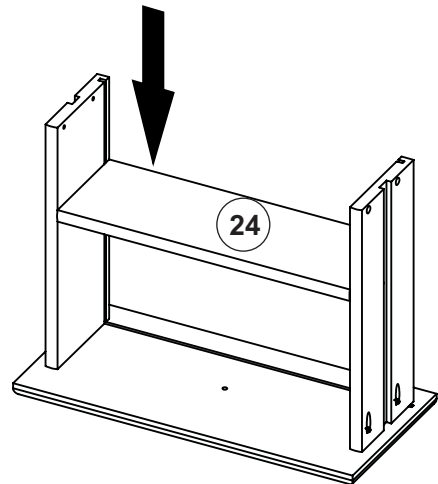
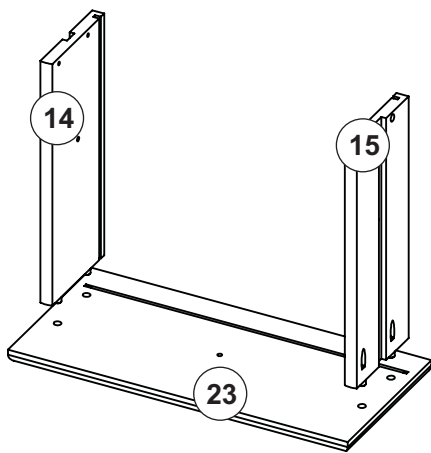
D x 2



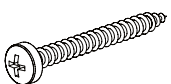
I x 2



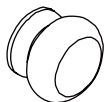
13



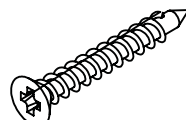
B x 8



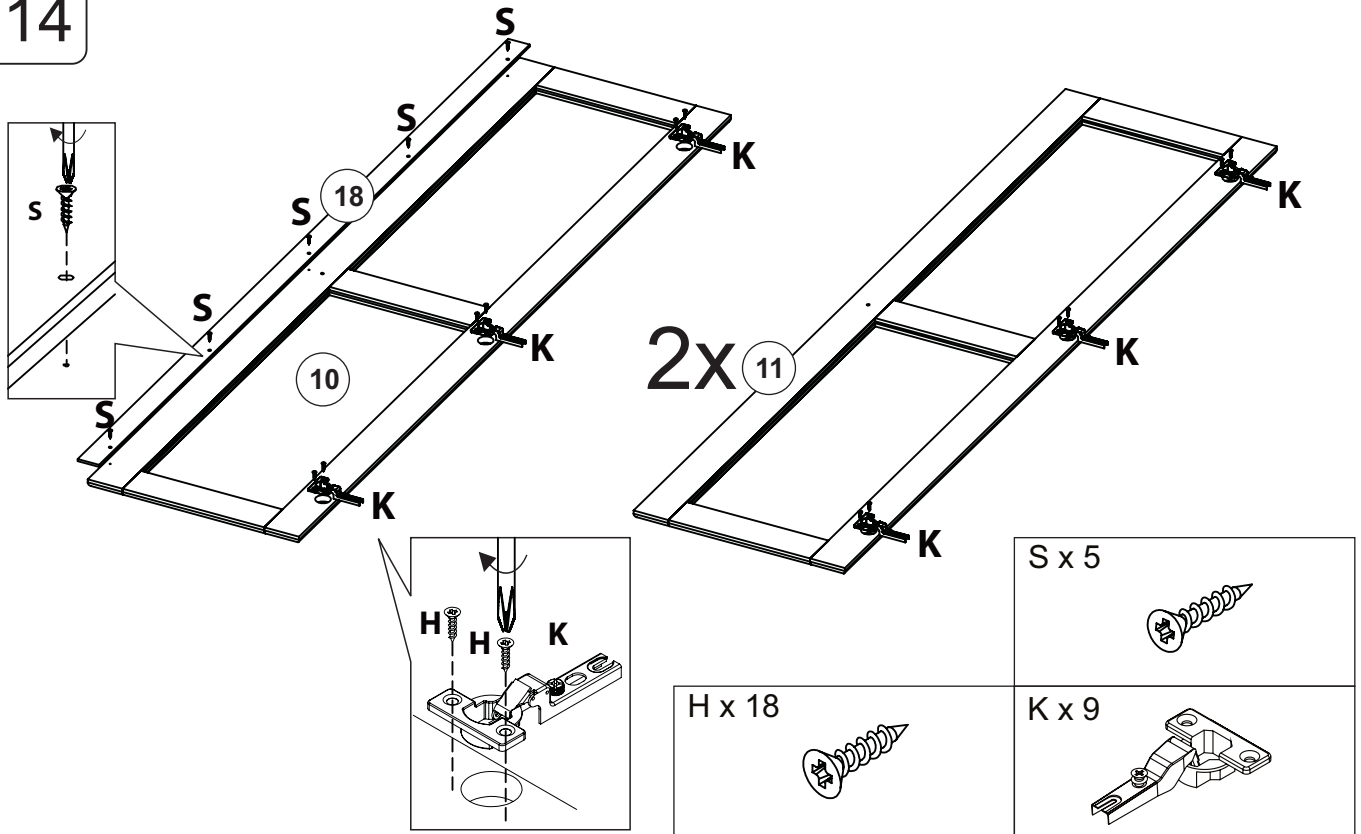
D x 1



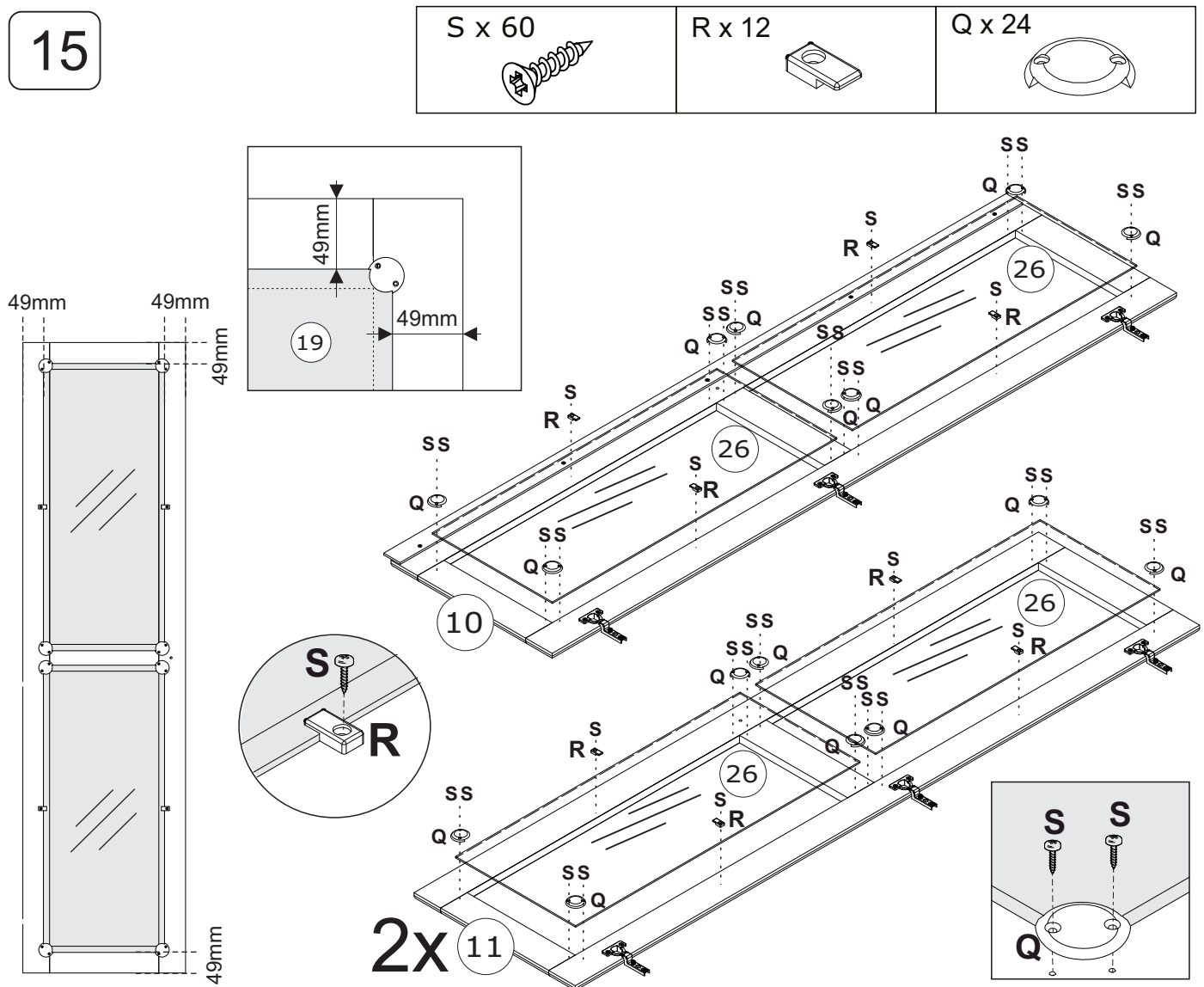
I x 1



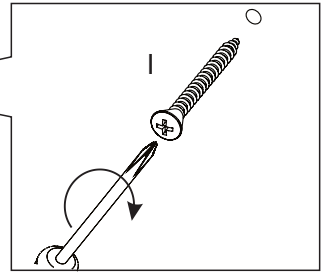
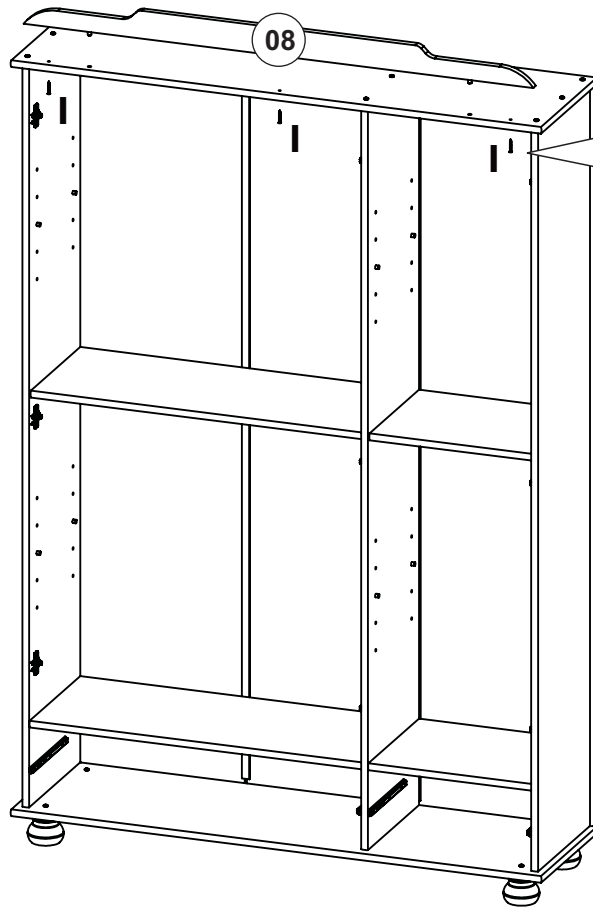
14



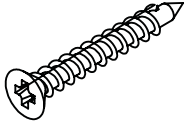
15



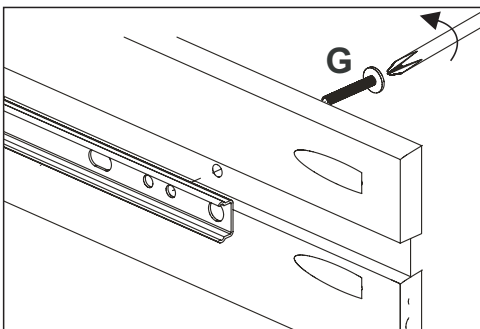
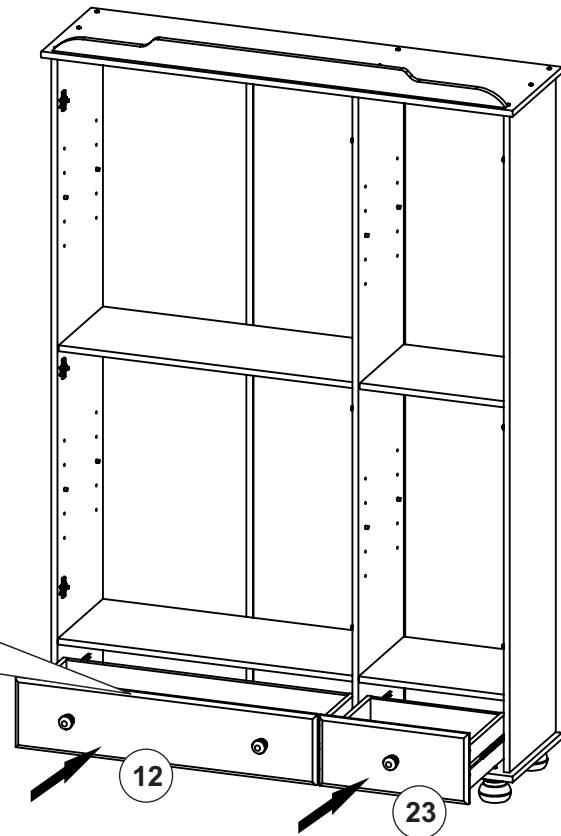
16



1 x 3



17

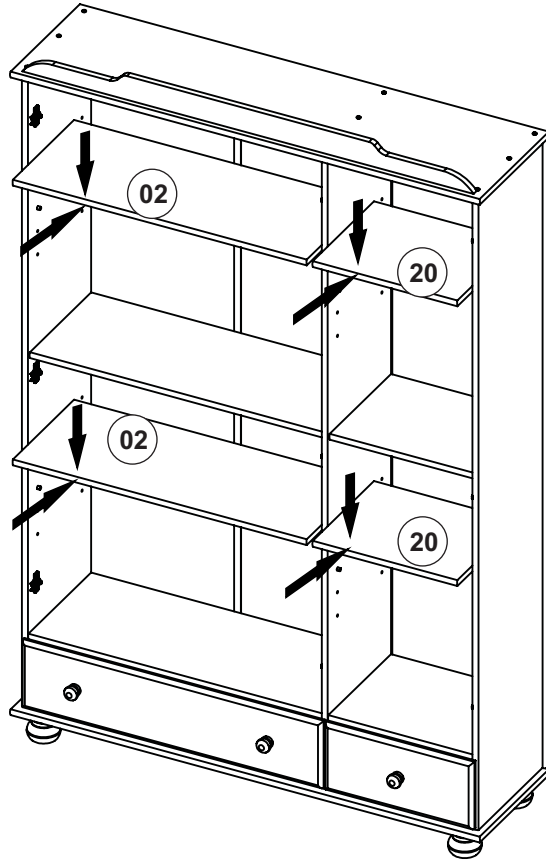


G x 4



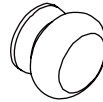
M4 x 12mm

18

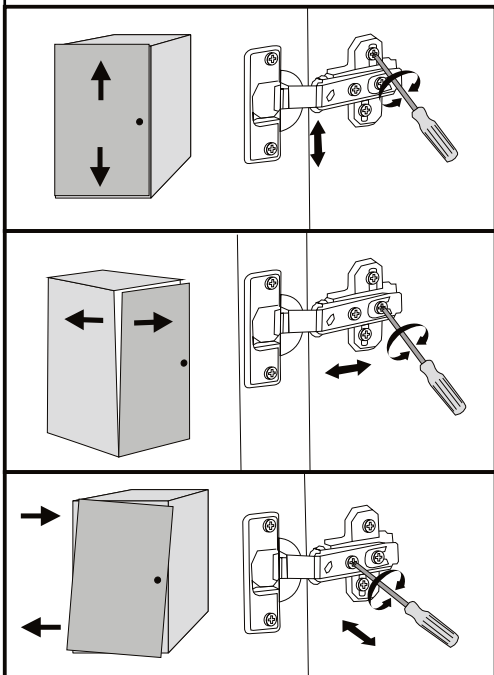
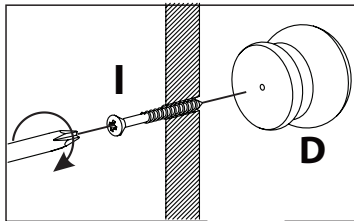
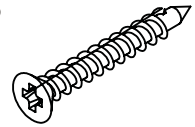


19

D x 3



I x 3



D

10

