


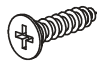

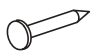
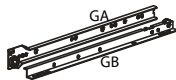
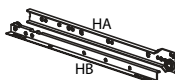




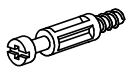
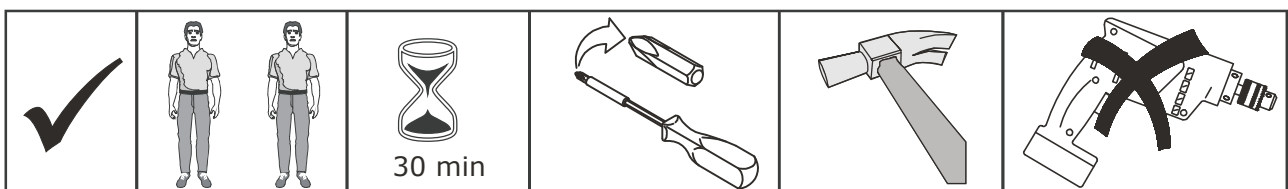
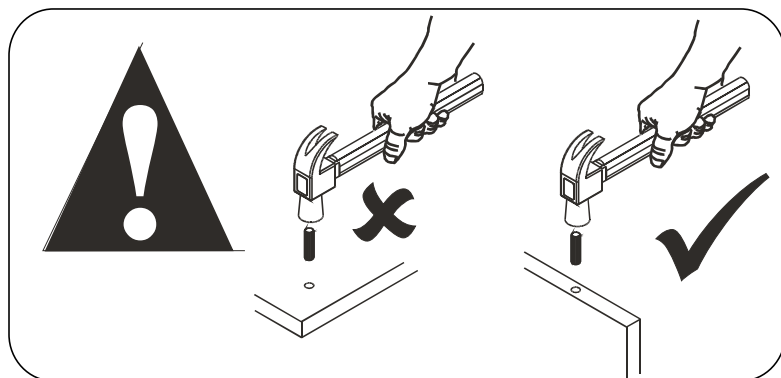
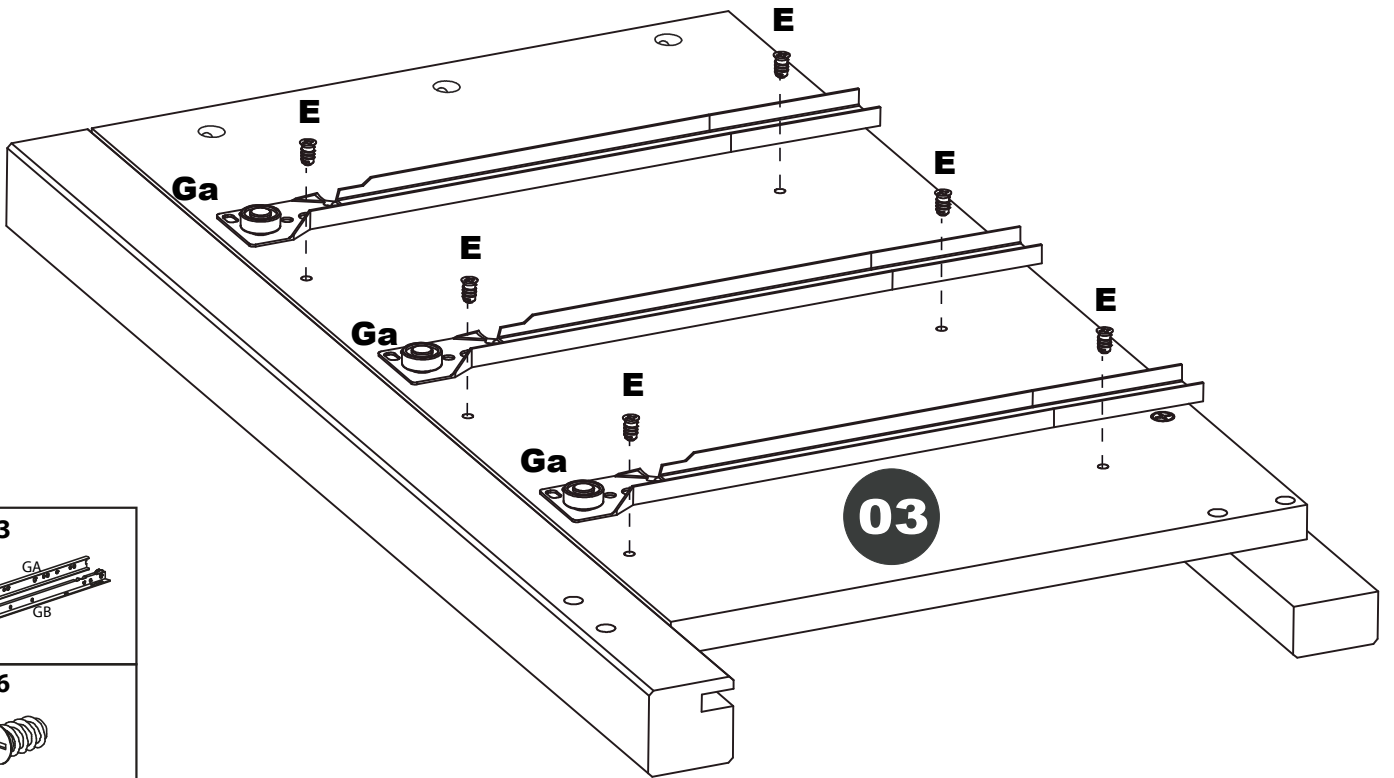
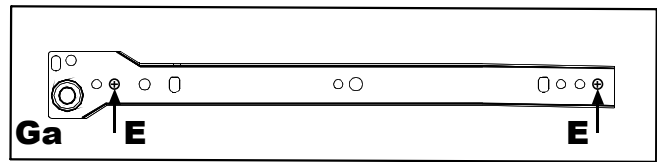


A=26  8,0 x 30mm	B=28  3,5 x 30mm	C=05  4,0 x 40mm	D=19  3,0x 16mm	E=12  6,0x 10mm
F=14 	G=03 	H=03 	I=03 	J=02 
K=01 	L=06 	M=06 		



1

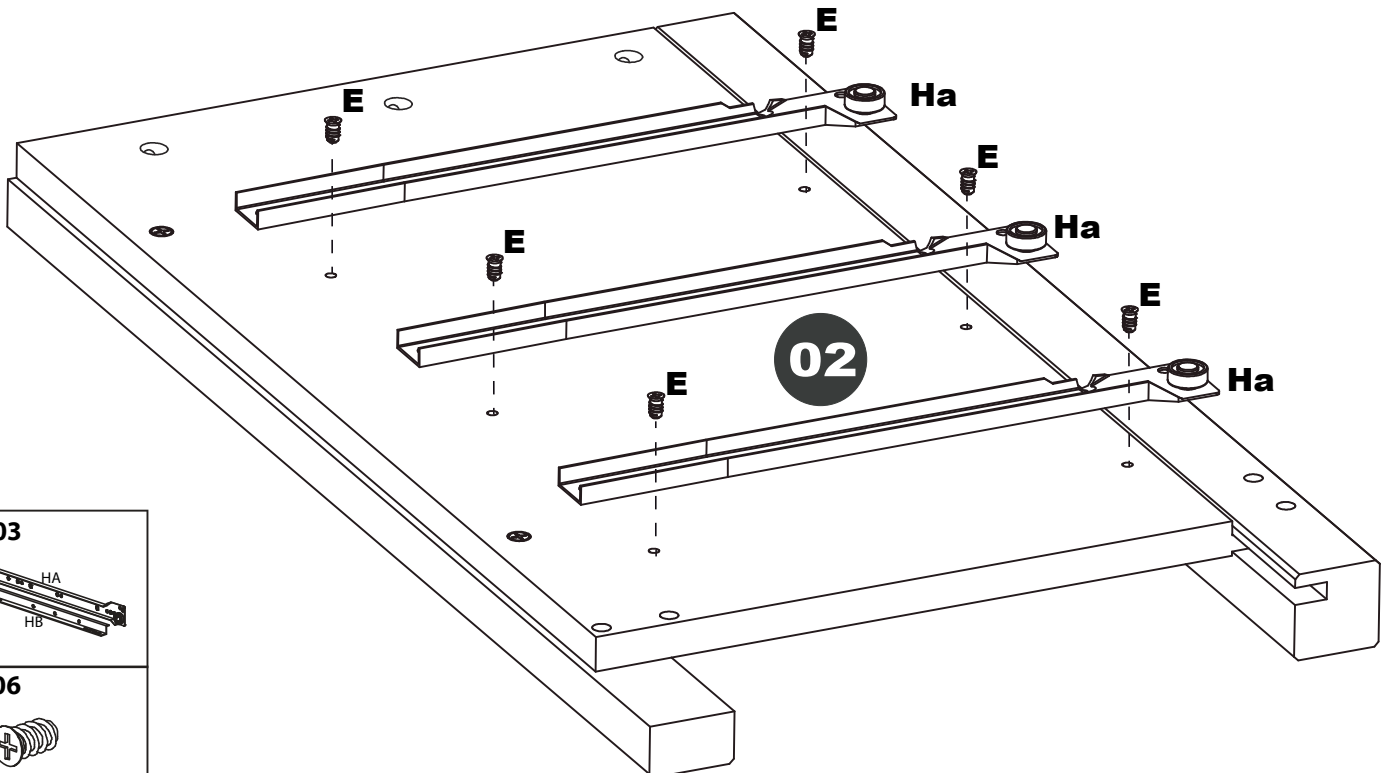
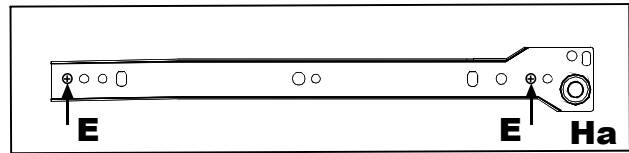


G=03

E=06

6,0x 10mm

2

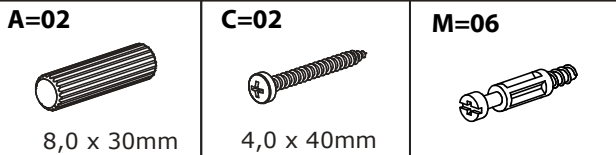
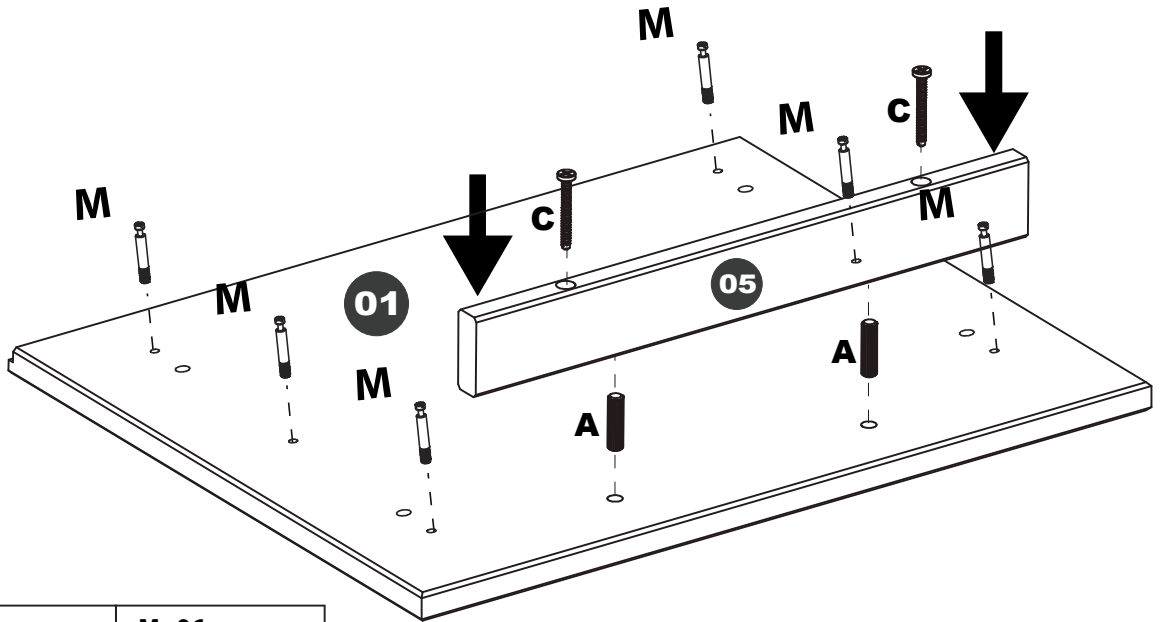
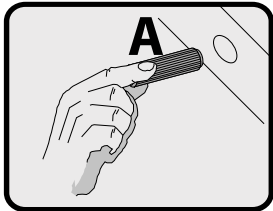
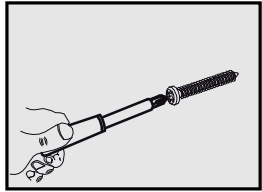
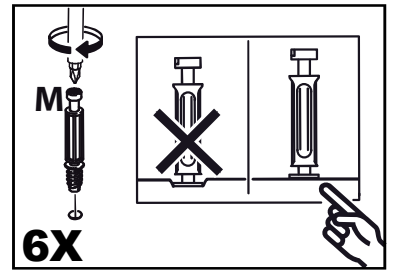


H=03

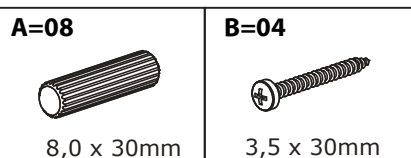
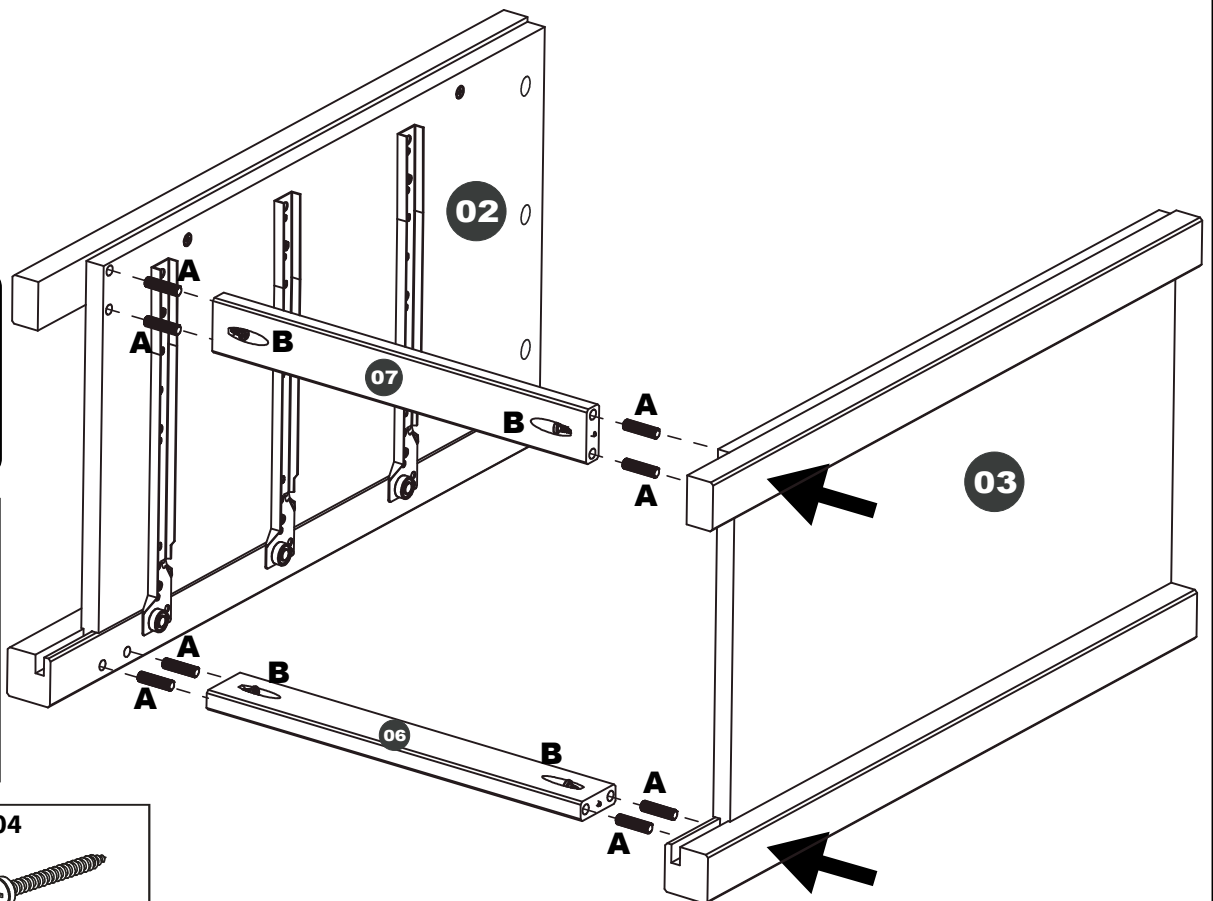
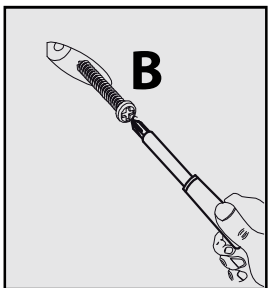
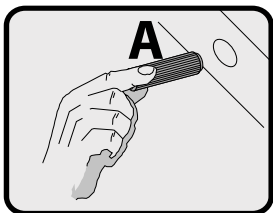
E=06

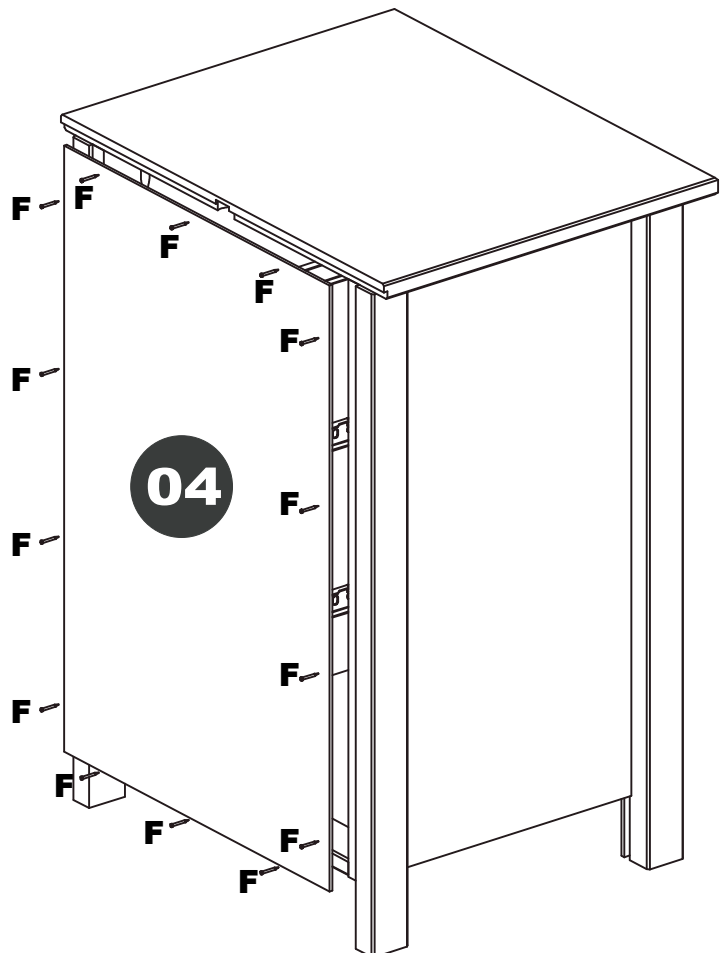
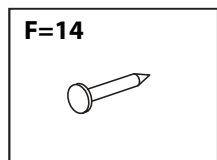
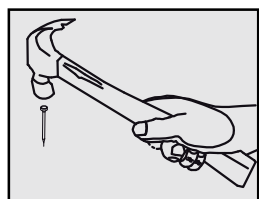
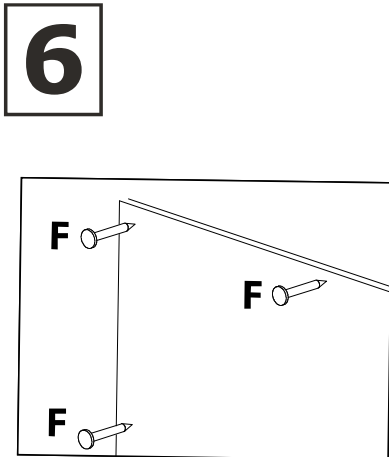
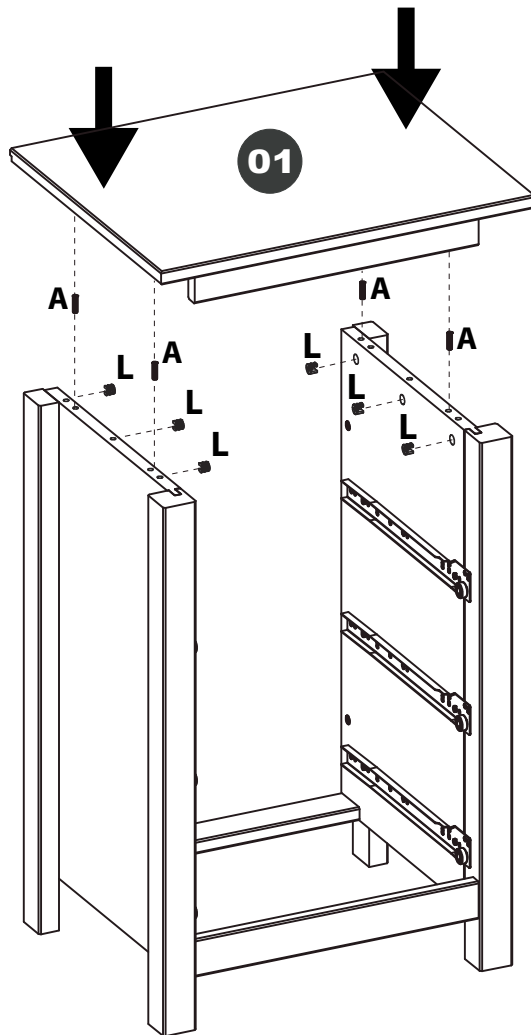
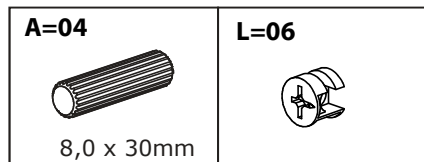
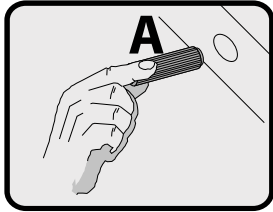
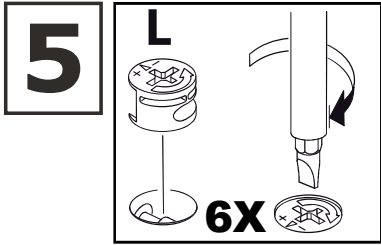
6,0x 10mm

3



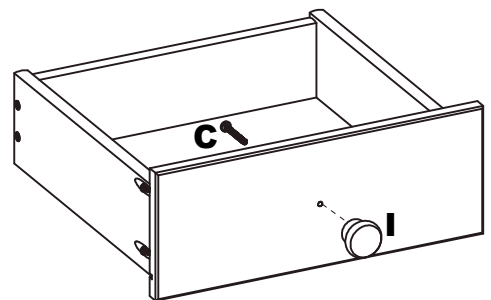
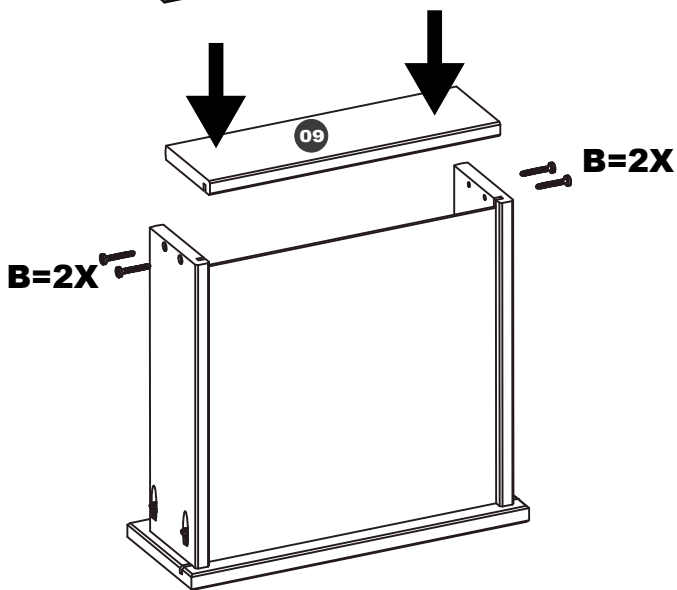
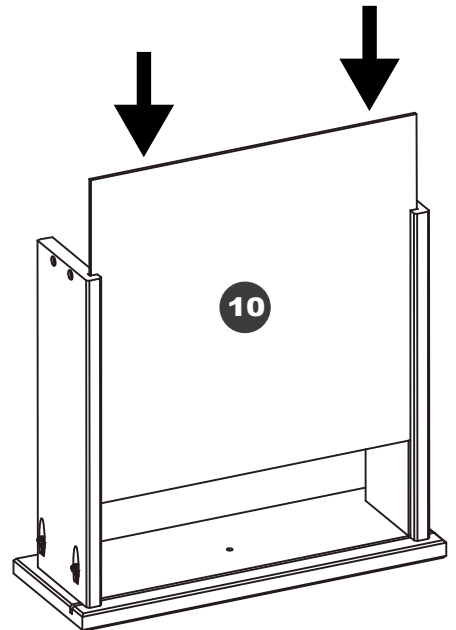
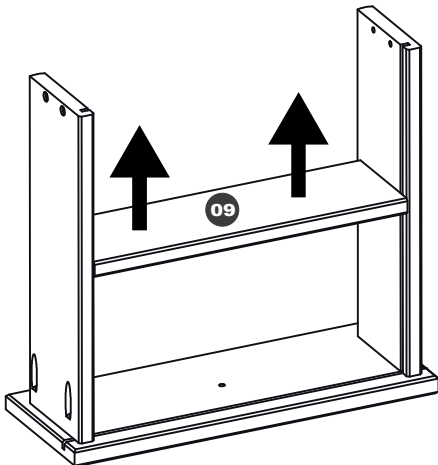
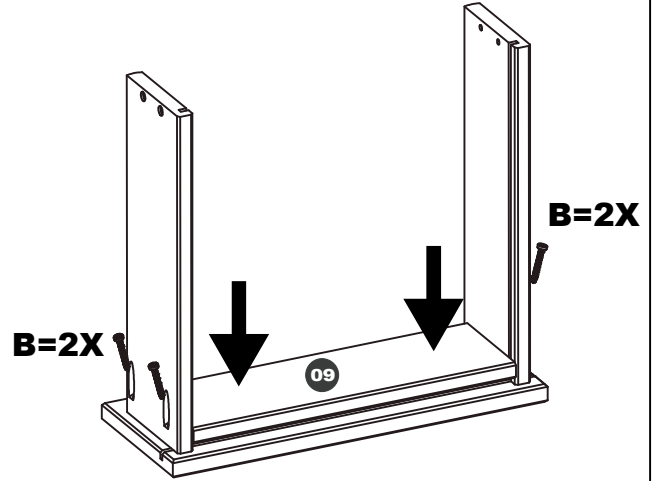
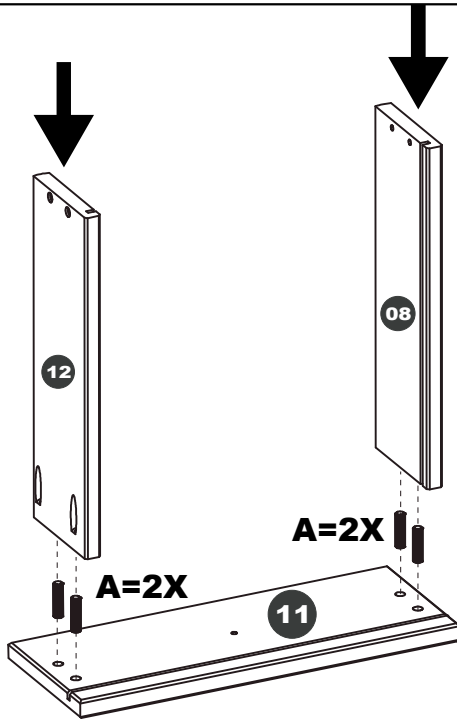
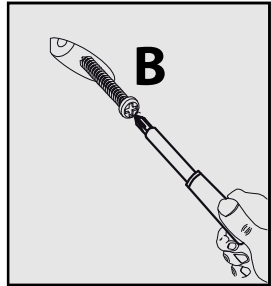
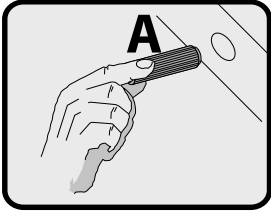
4





7

3X



A=12



8,0 x 30mm

B=24



3,5 x 30mm

C=03

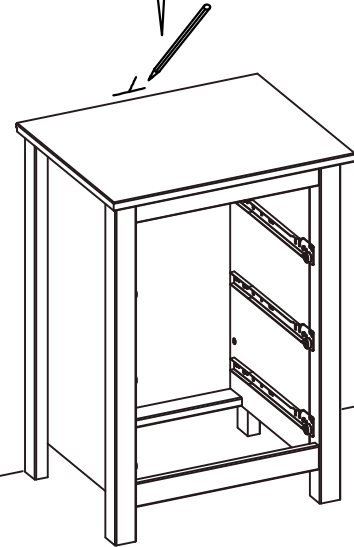
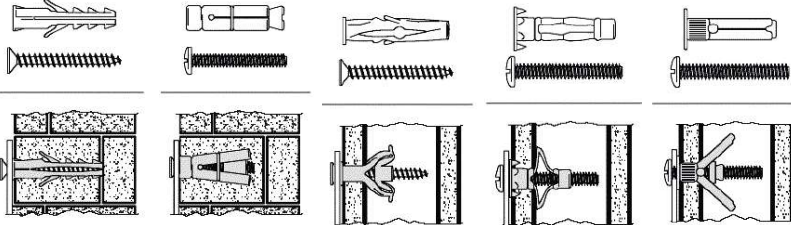
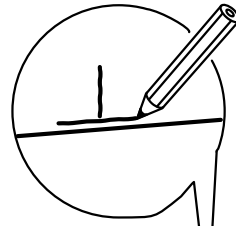
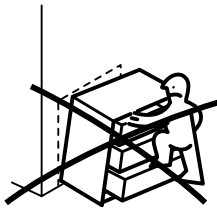
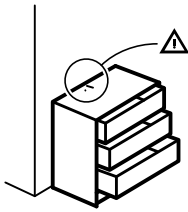


4,0 x 40mm

I=03



8

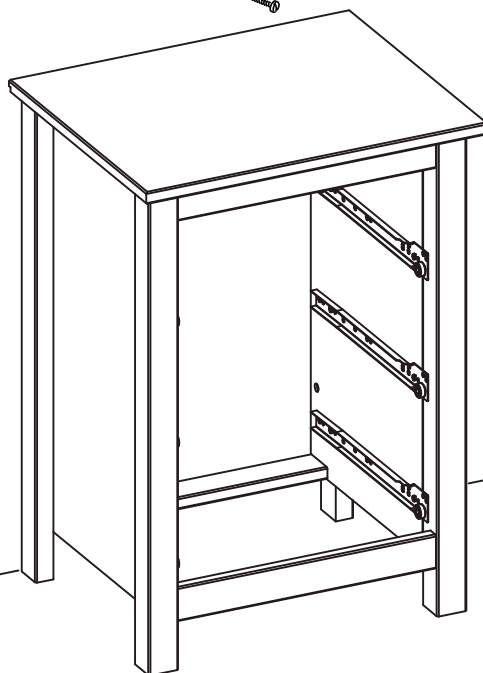
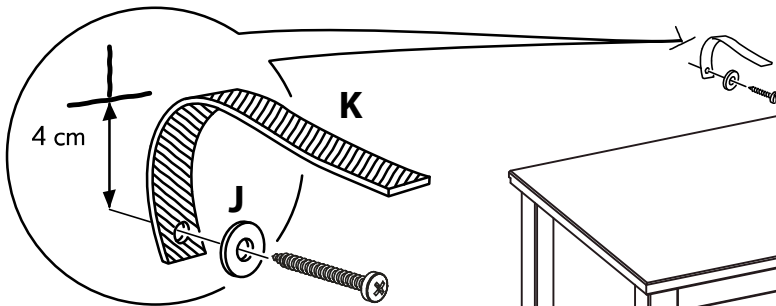


9

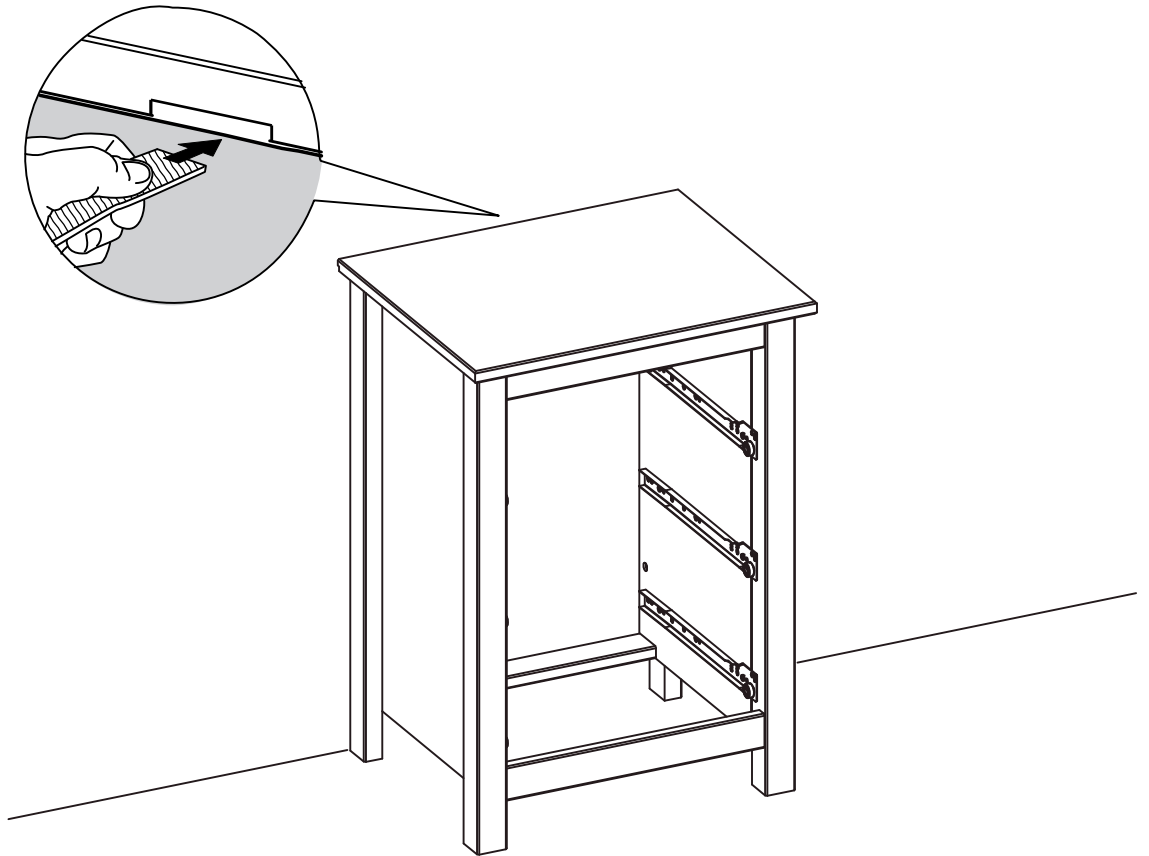
K=01



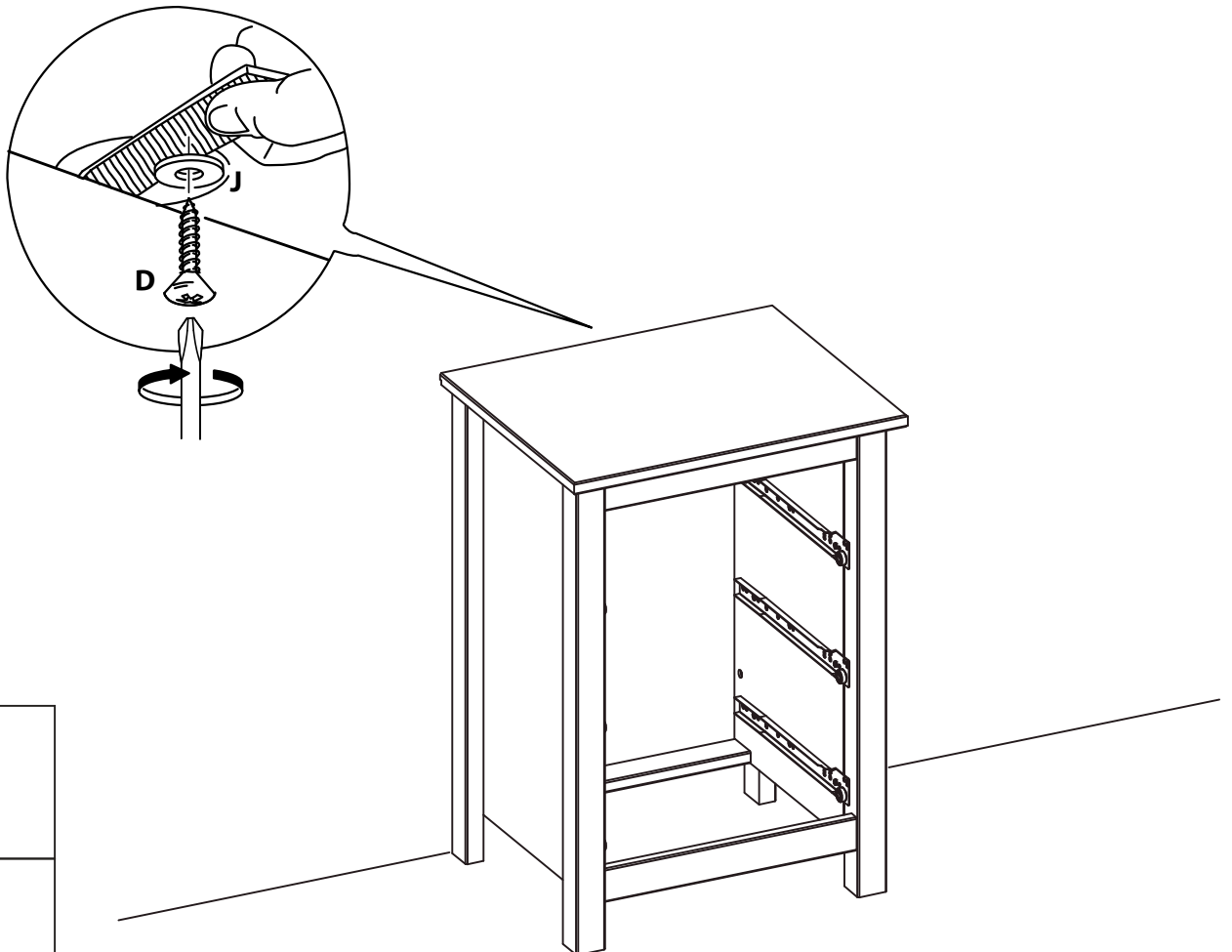
J=01



10



11



J=01



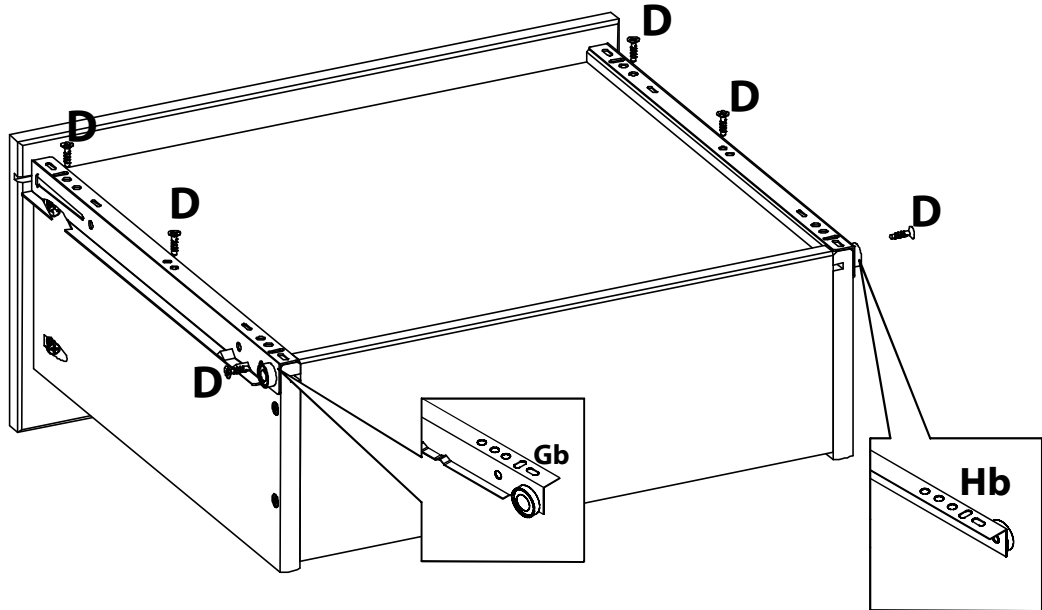
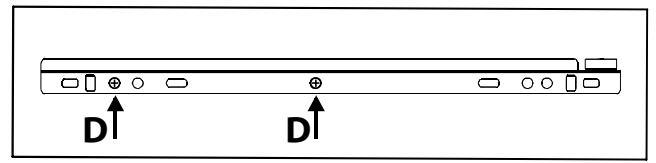
D=01



3,0x 16mm

12

3X

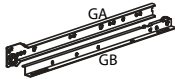


D=18

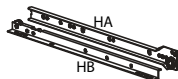


3,0x 16mm

G=03



H=03



13

