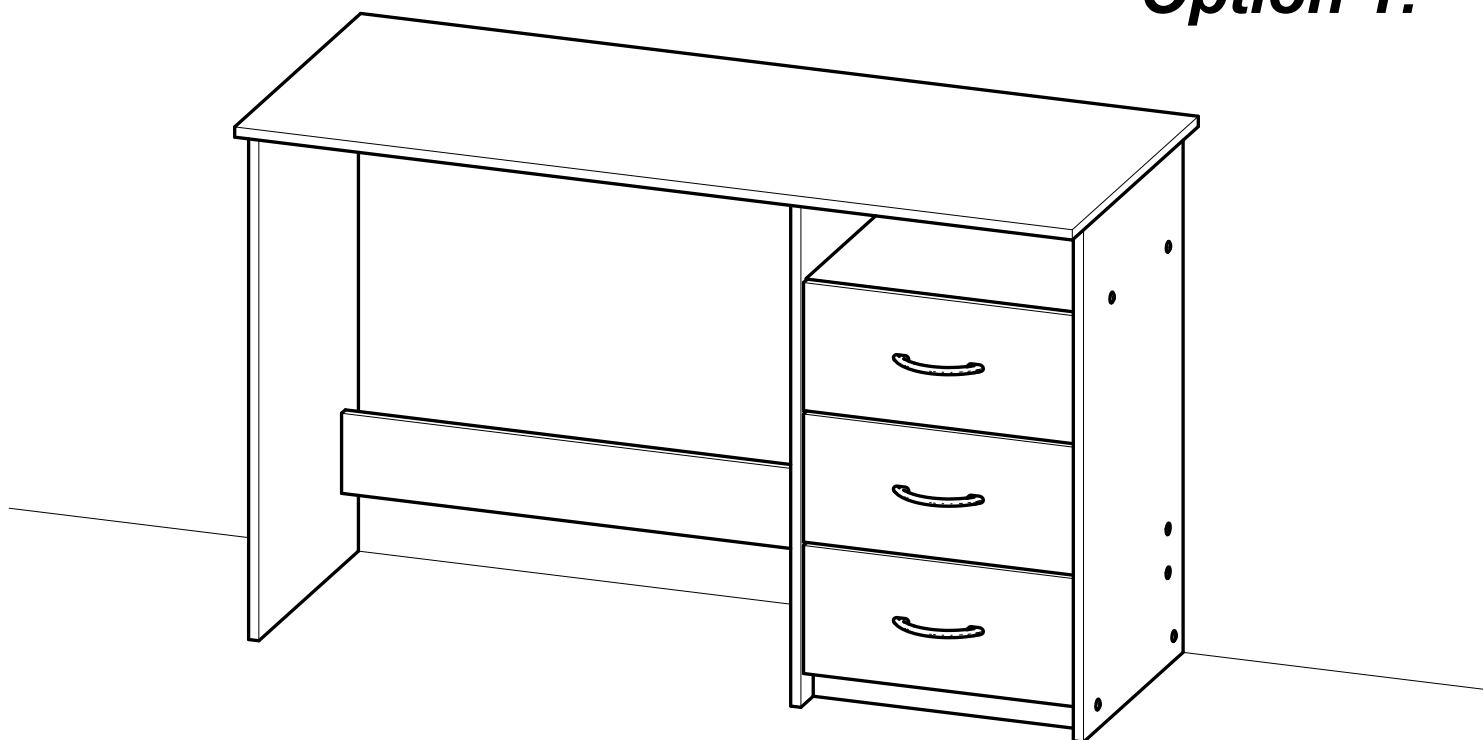
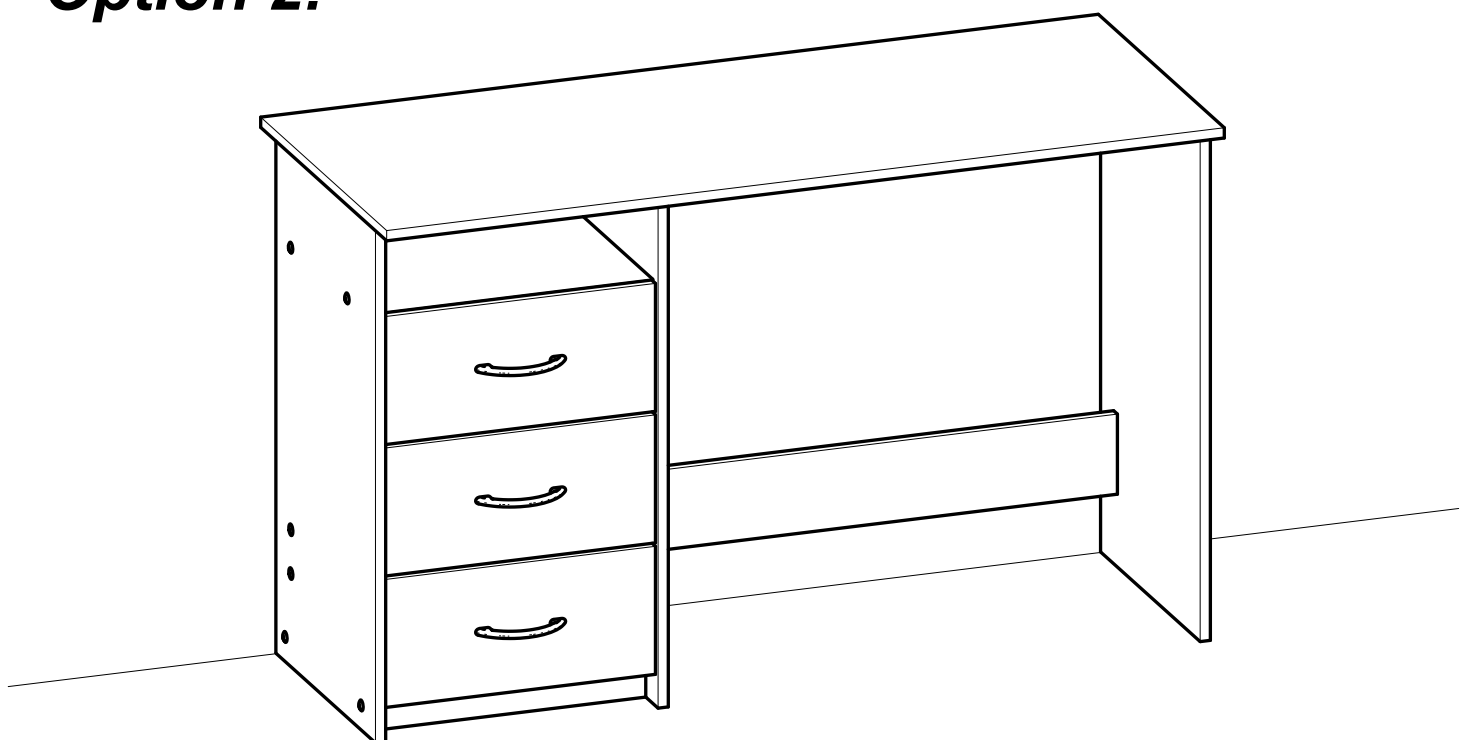
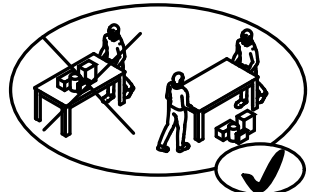
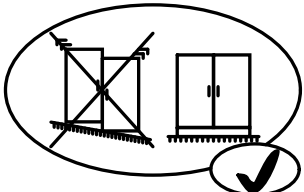
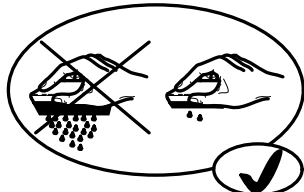
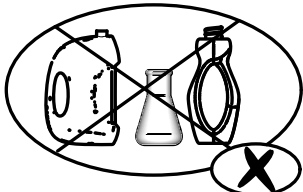
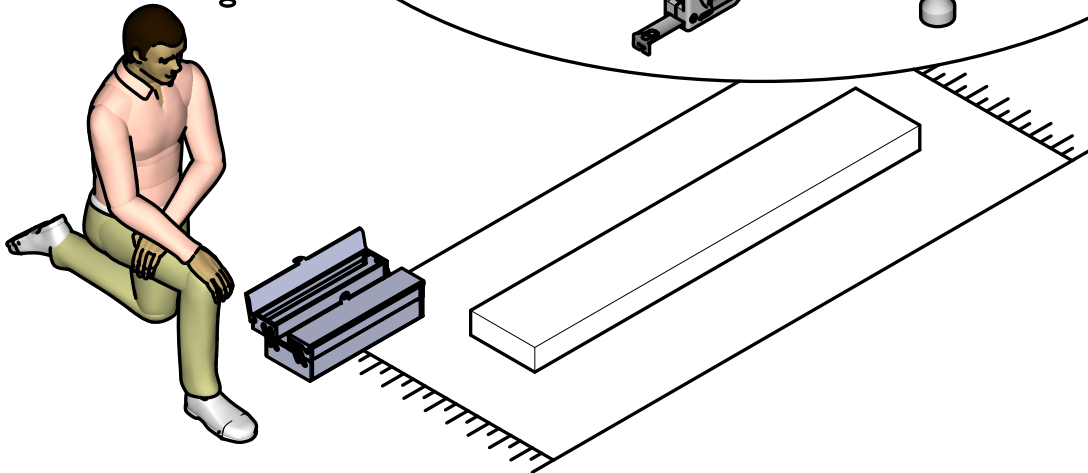
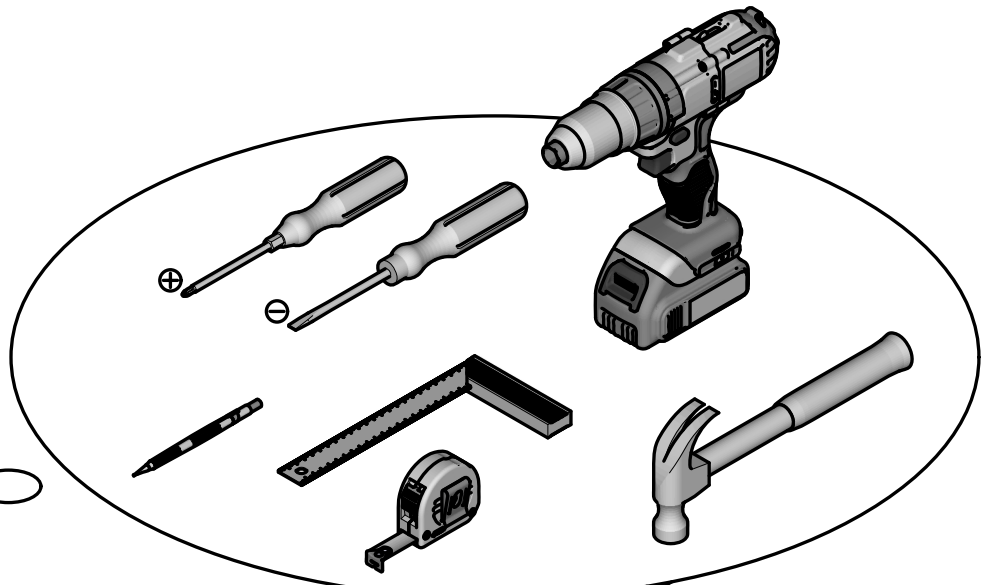
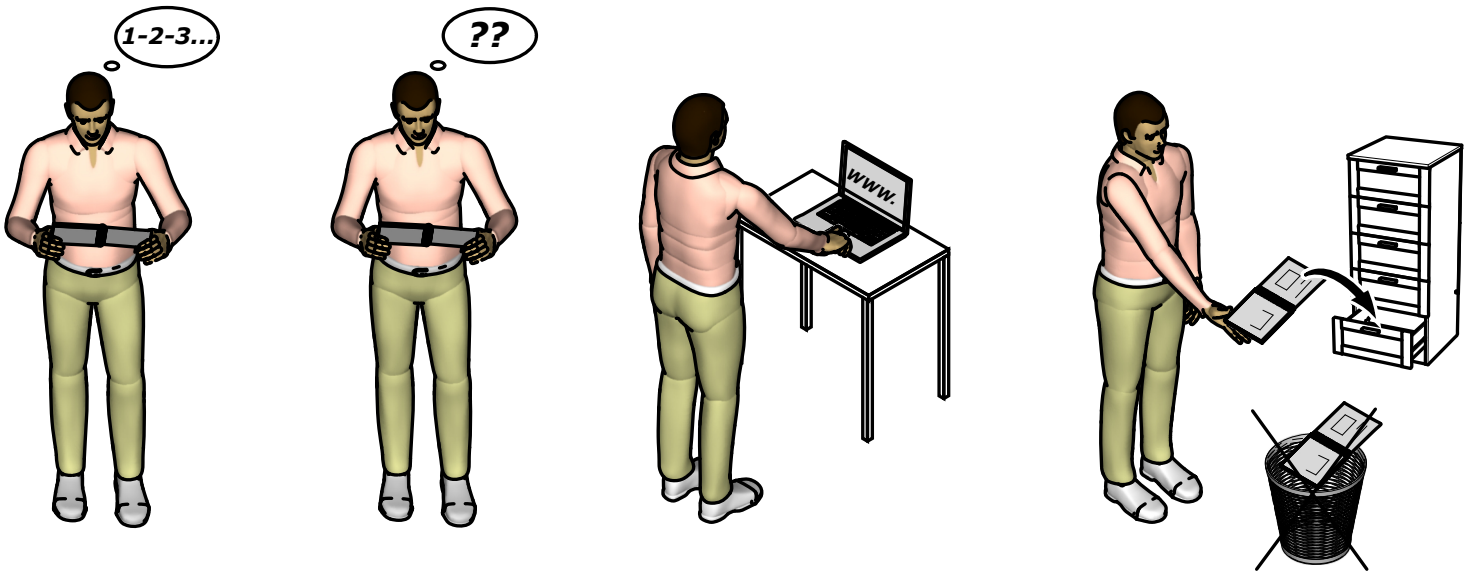


Option 1:



Option 2:

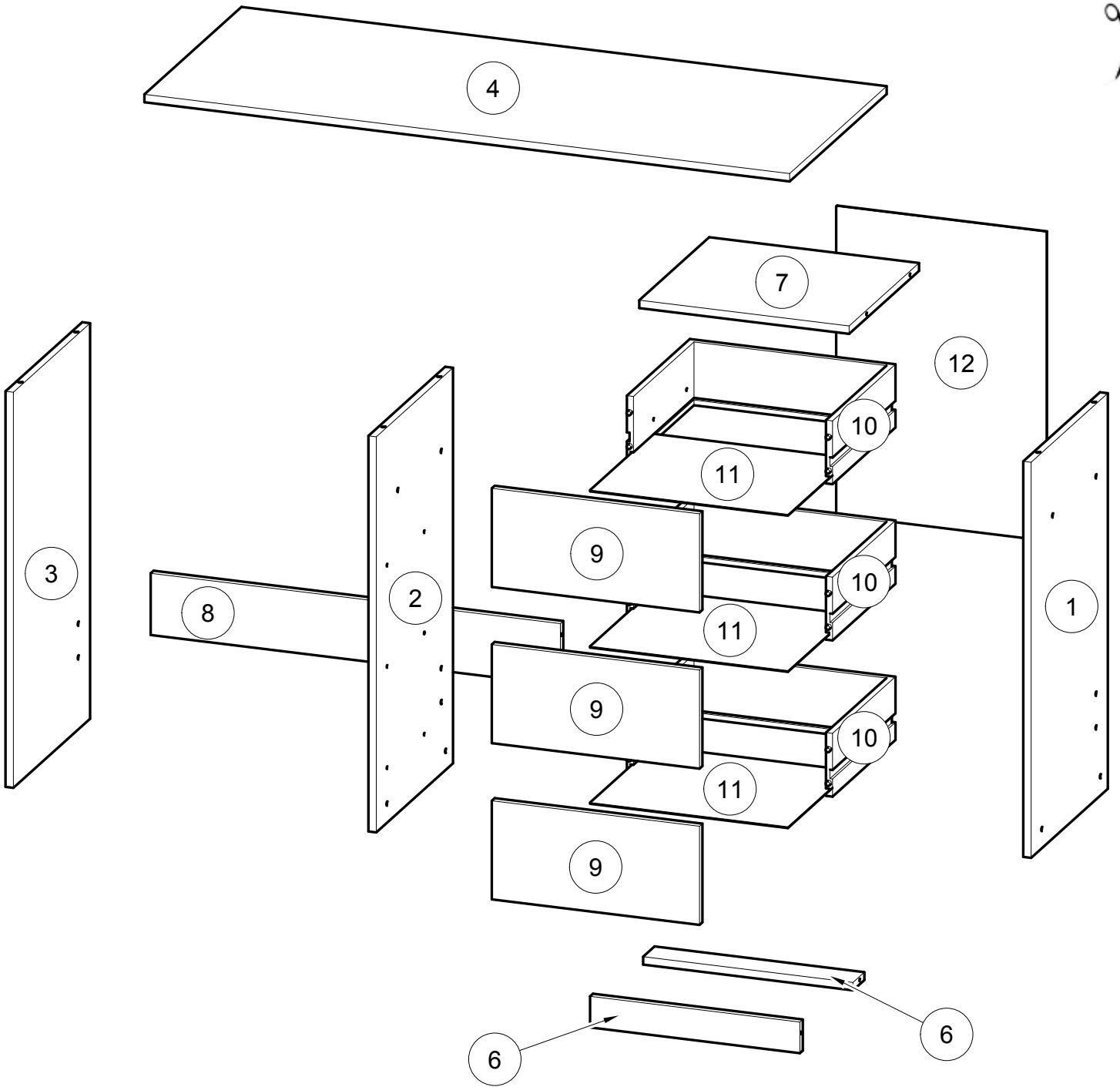




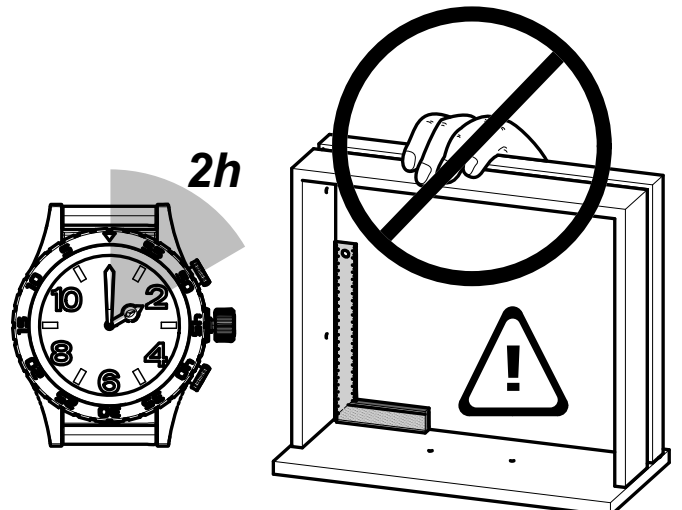
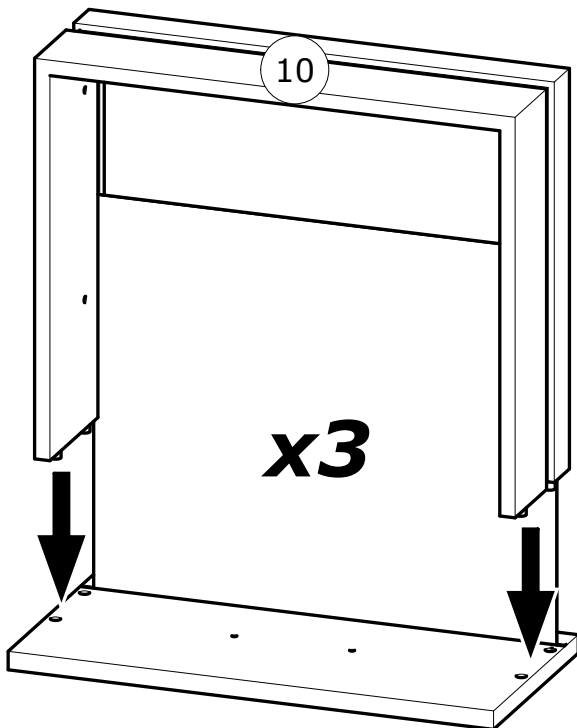
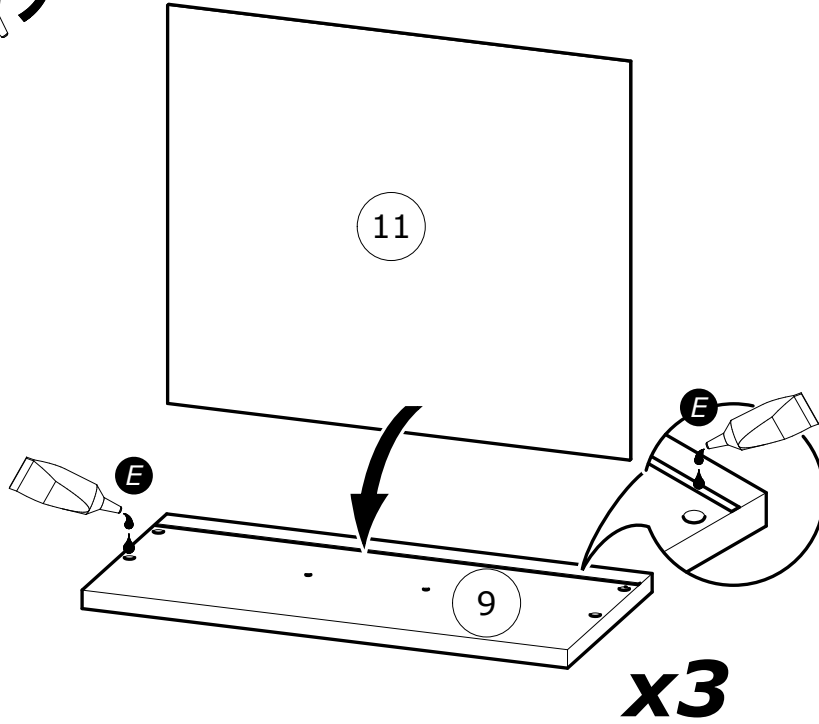
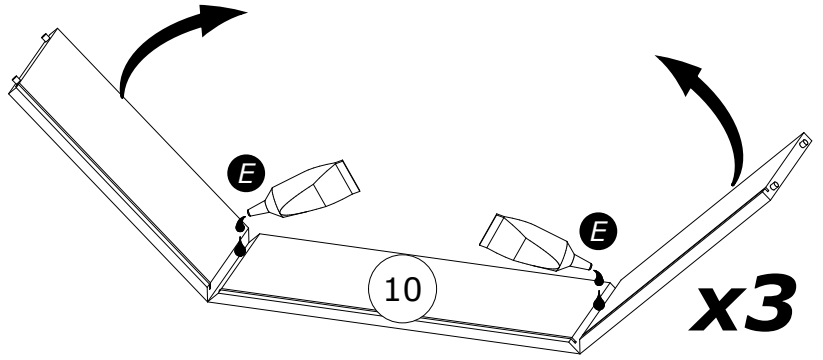
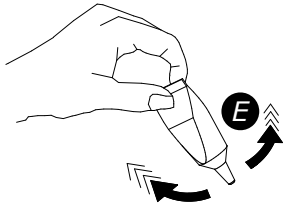
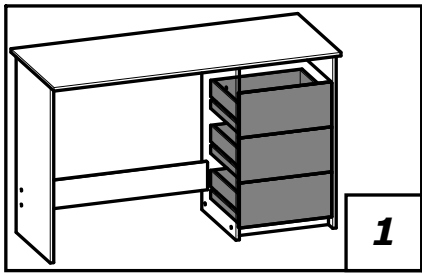


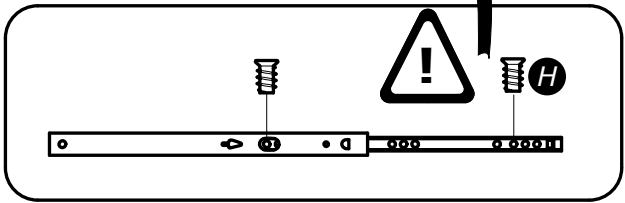
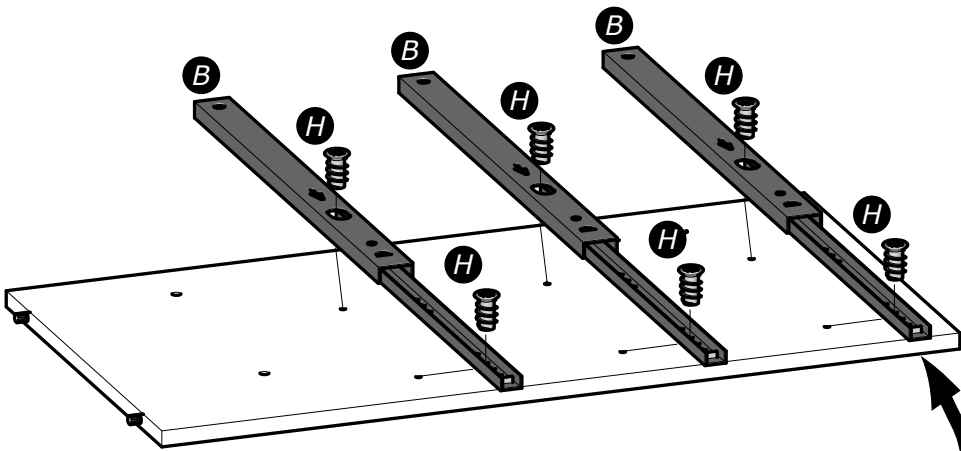
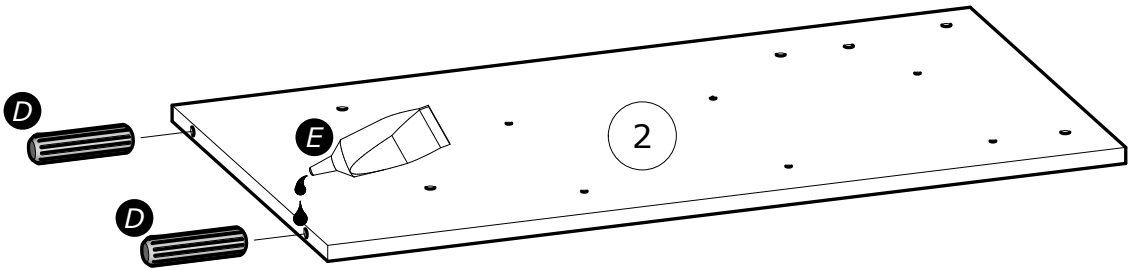
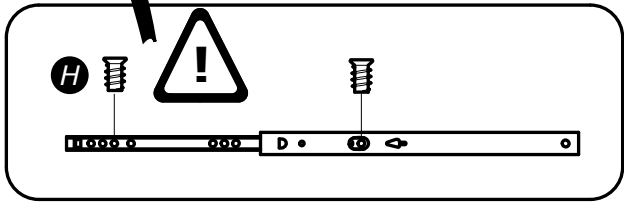
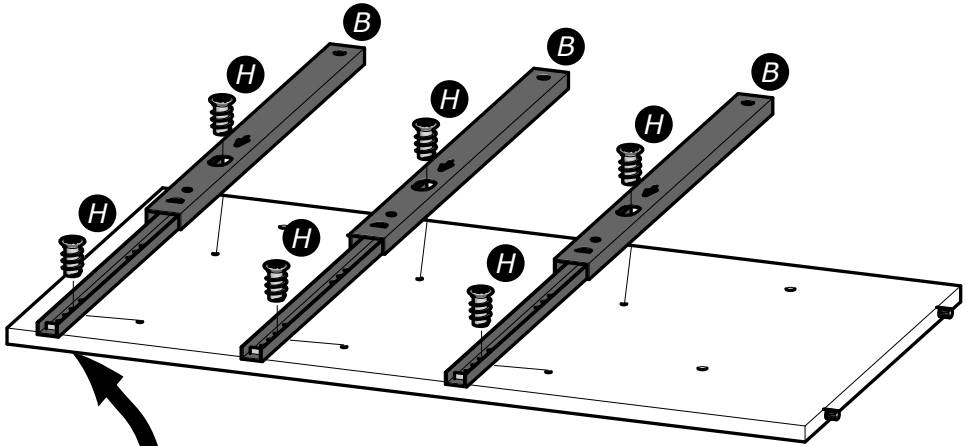
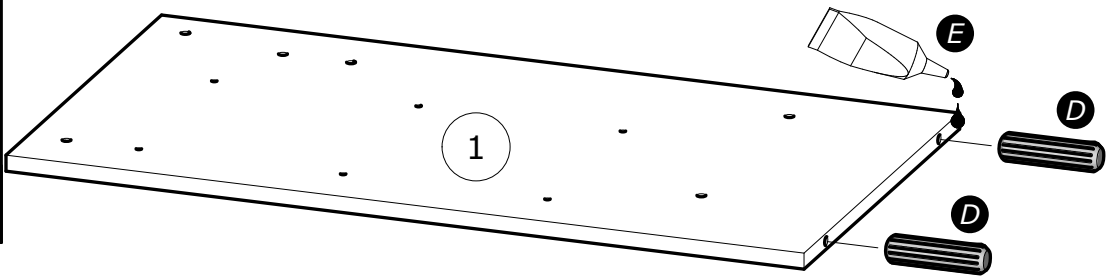
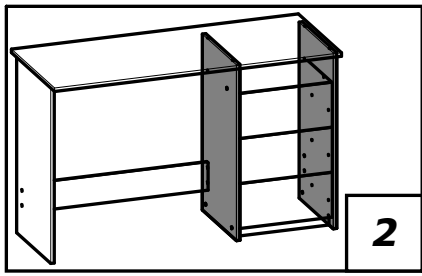
- A** x1
- B** x3
- C** x1
- D** x6
- E** x2
- F** x2
- G** x6
- H** x12
- I** x6
- J** x2
- K** x10
- L** x1
- M** x3
- N** x12
- O** x1

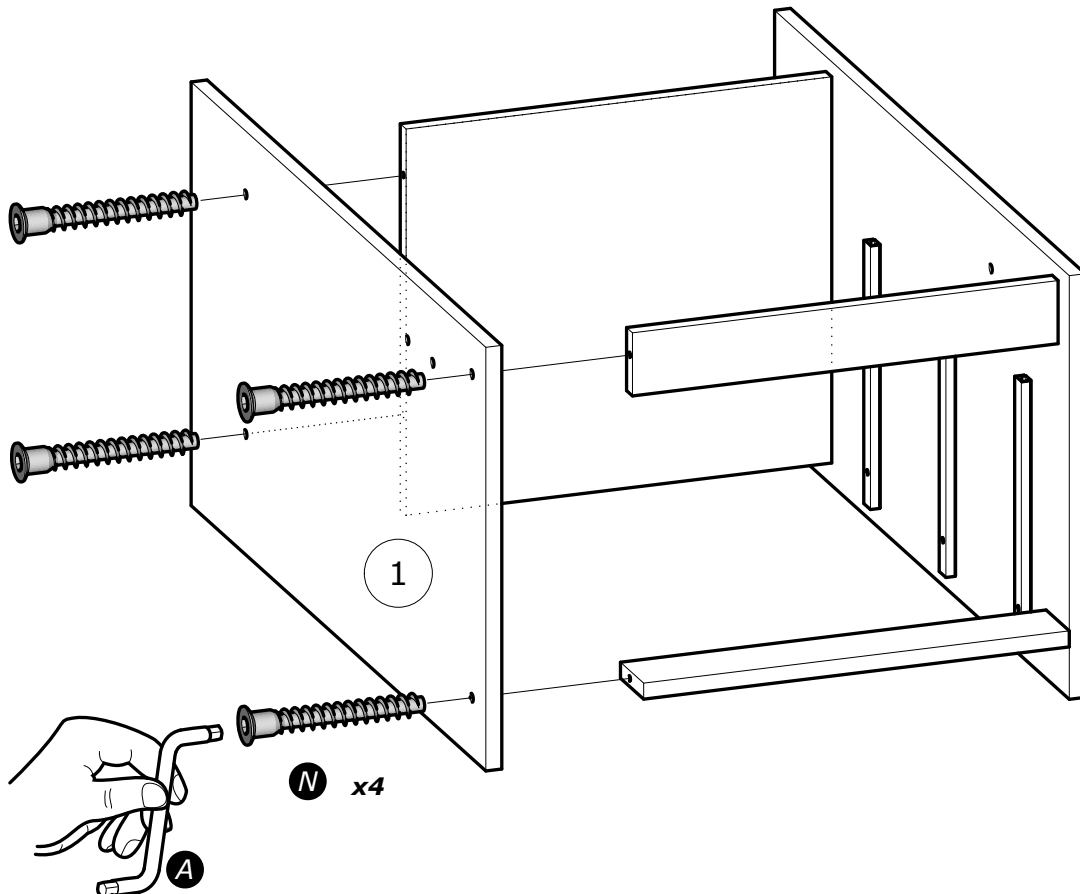
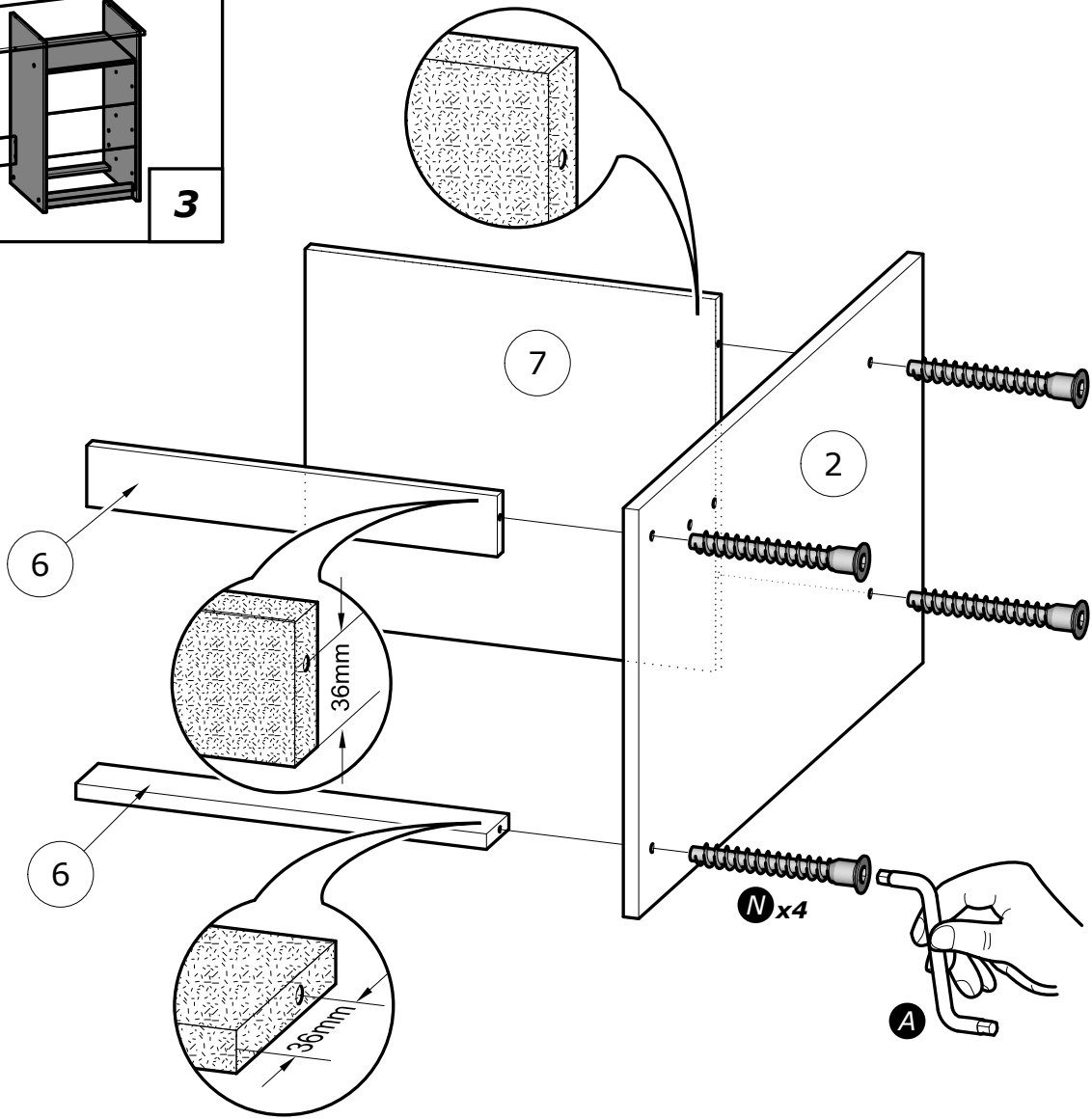
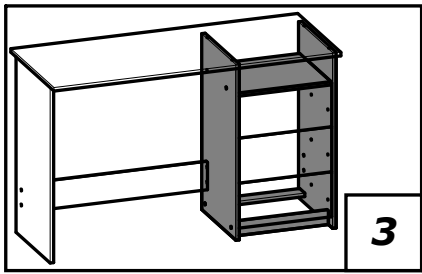


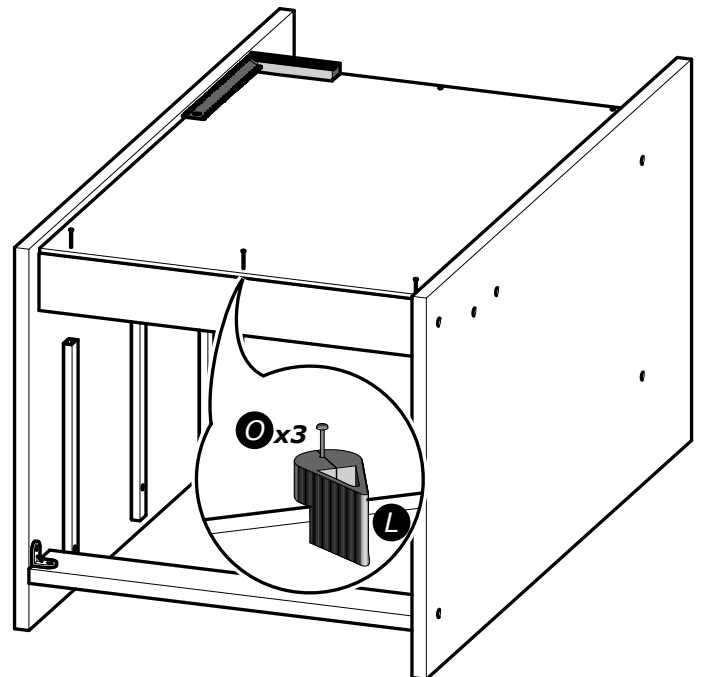
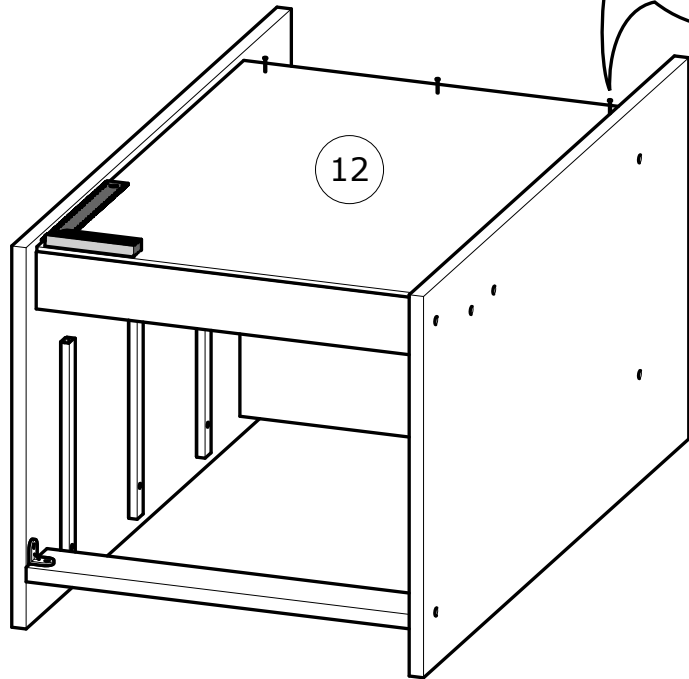
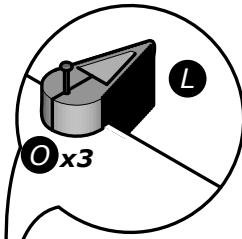
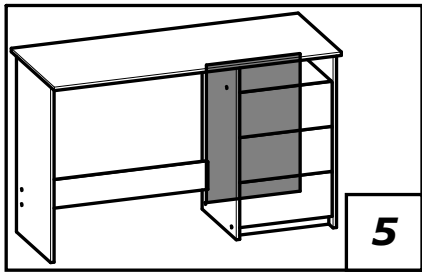
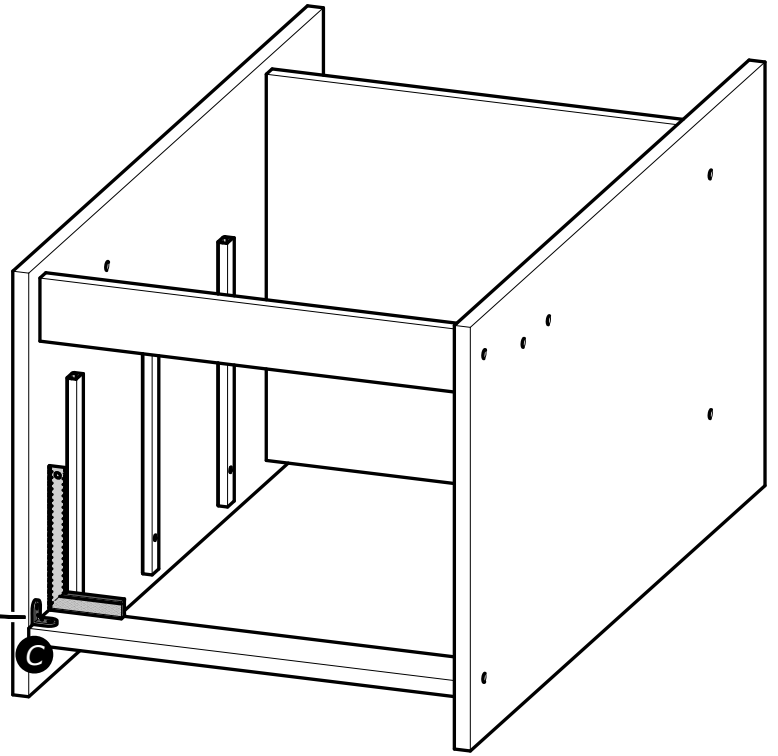
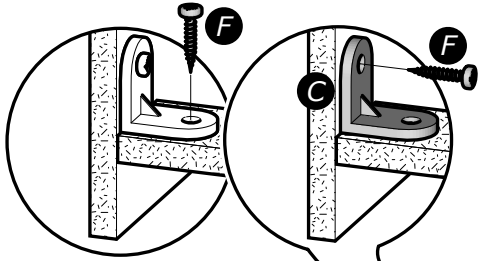
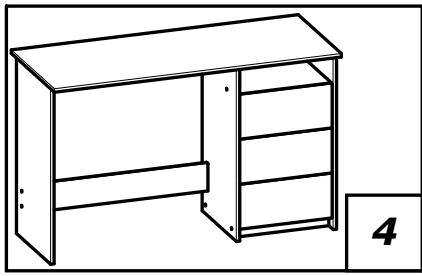


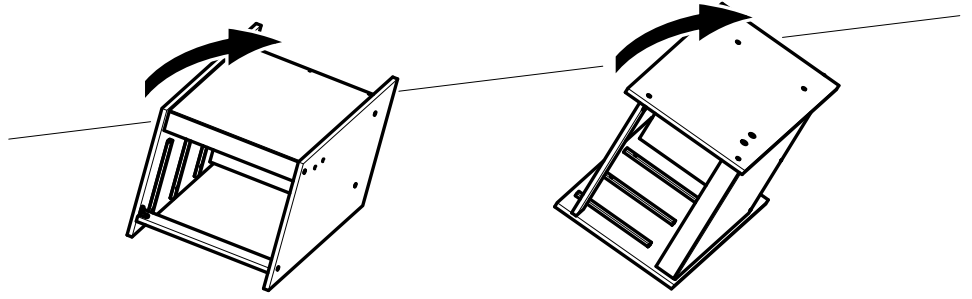
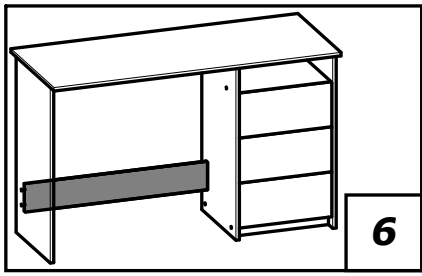
N°	Dim. (mm)	Qty.	N°	Dim. (mm)	Qty.
1	750x 396	x1	8	781x 117	x1
2	750x 396	x1	9	396x 187	x3
3	750x 396	x1	10	325x 392	x3
4	1 230x 501	x1	11	377x 323	x3
6	400x 59	x2	12	585x 400	x1
7	400x 361	x1			



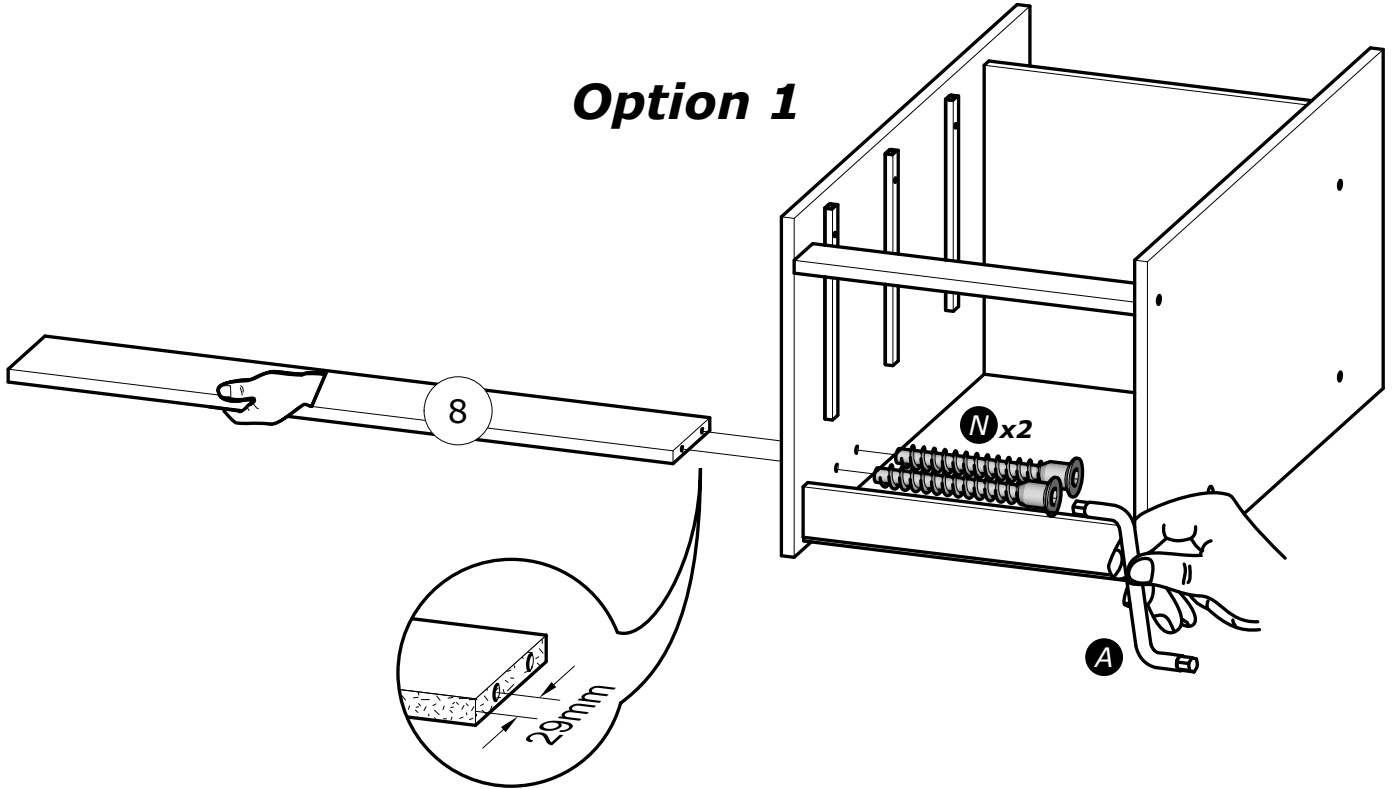




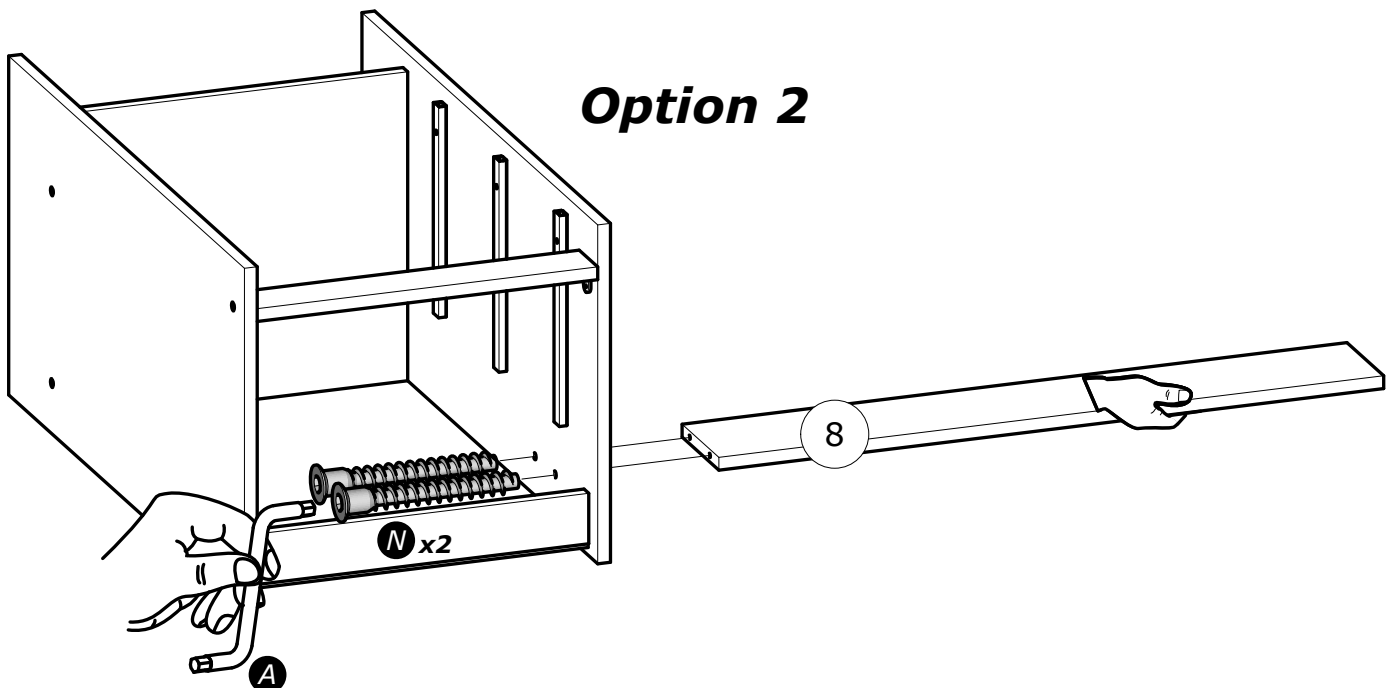


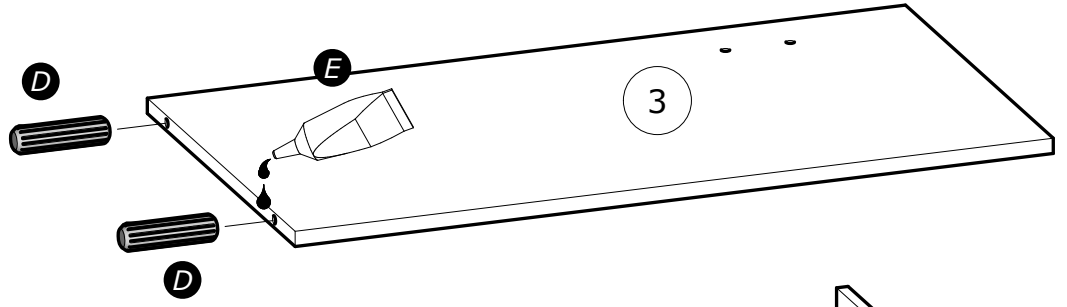
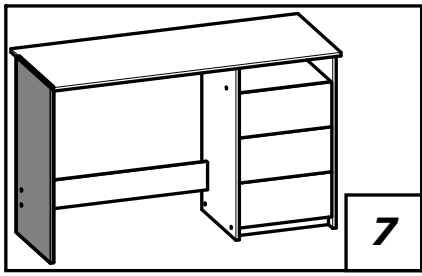


Option 1

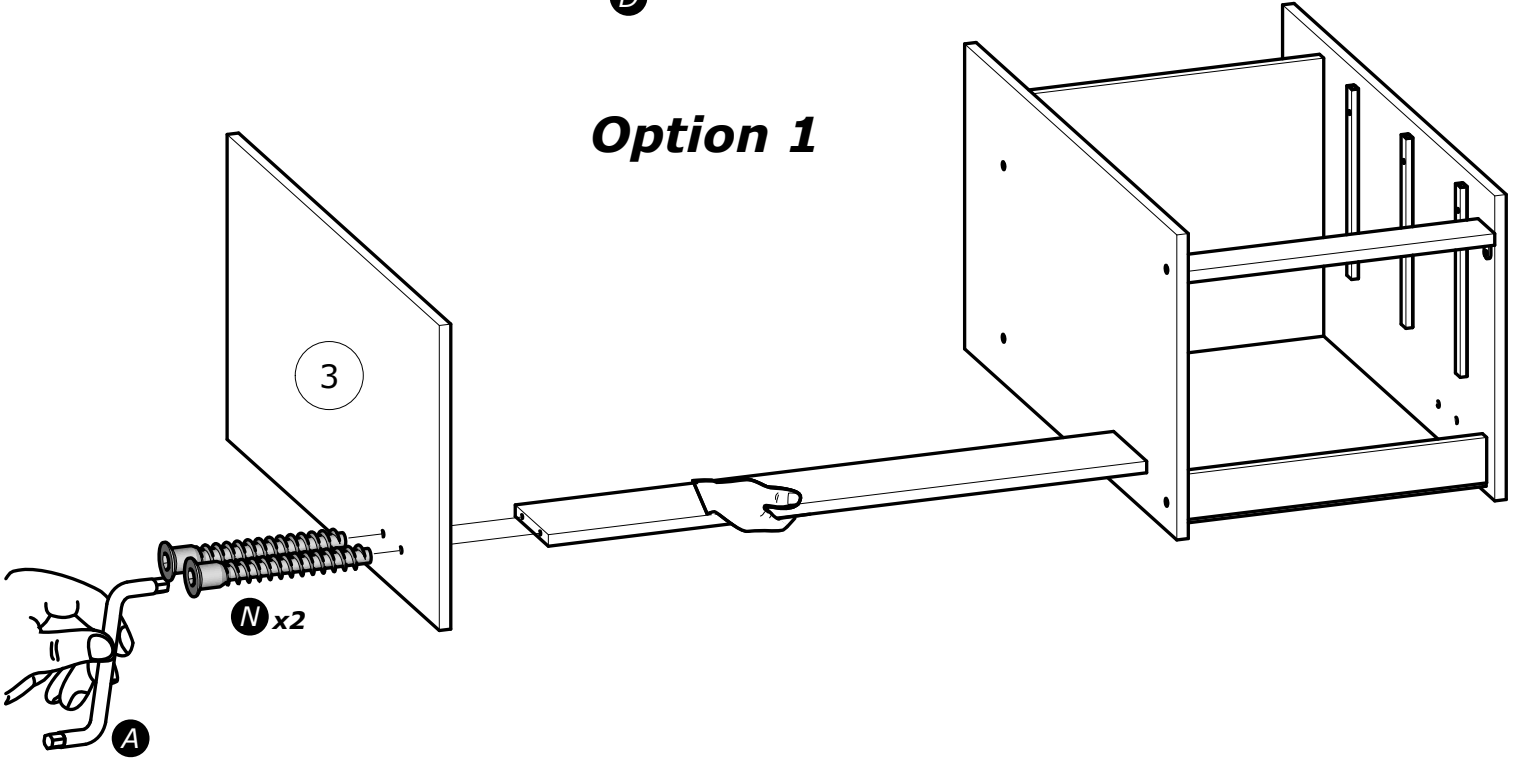


Option 2

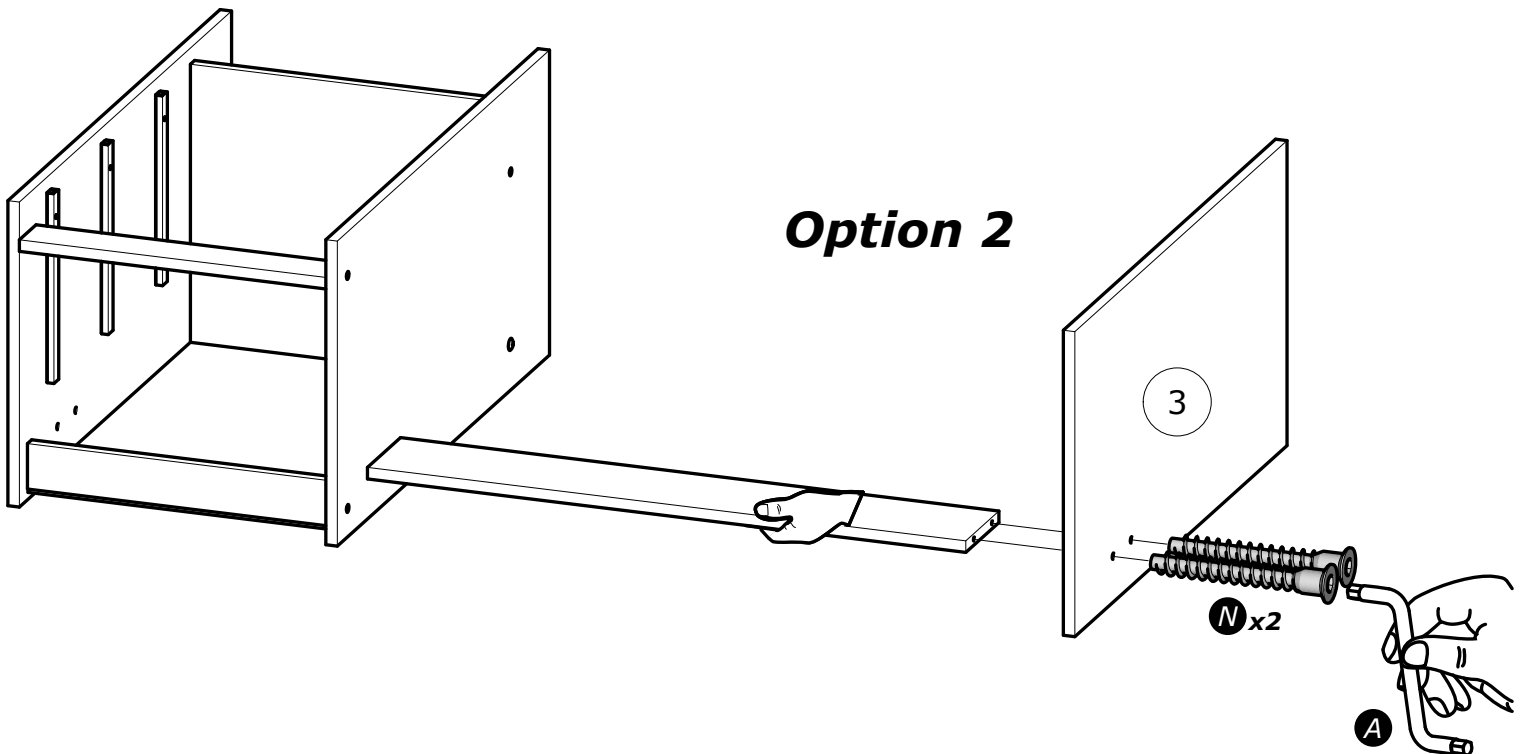


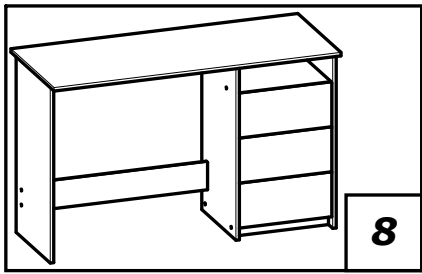


Option 1

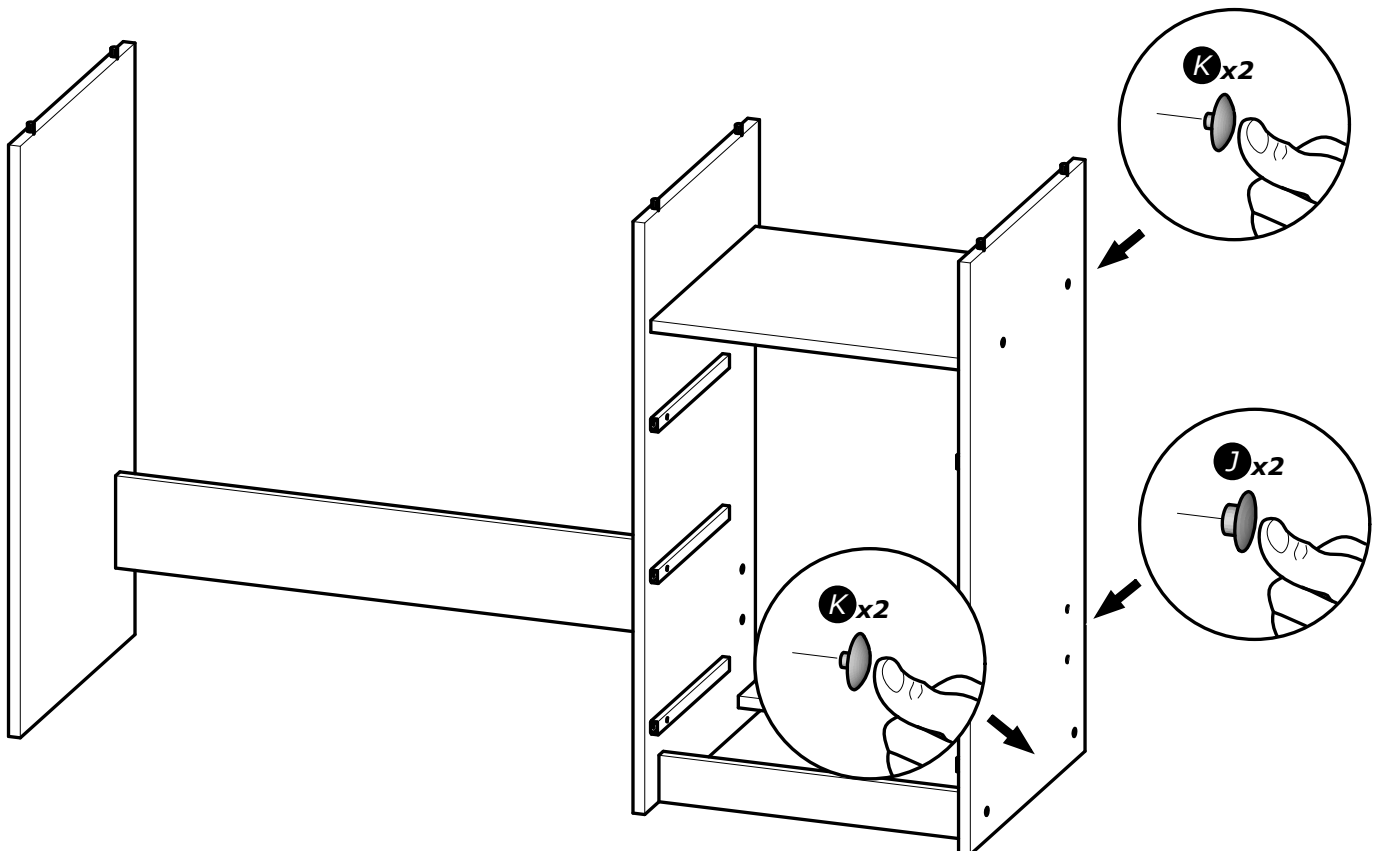
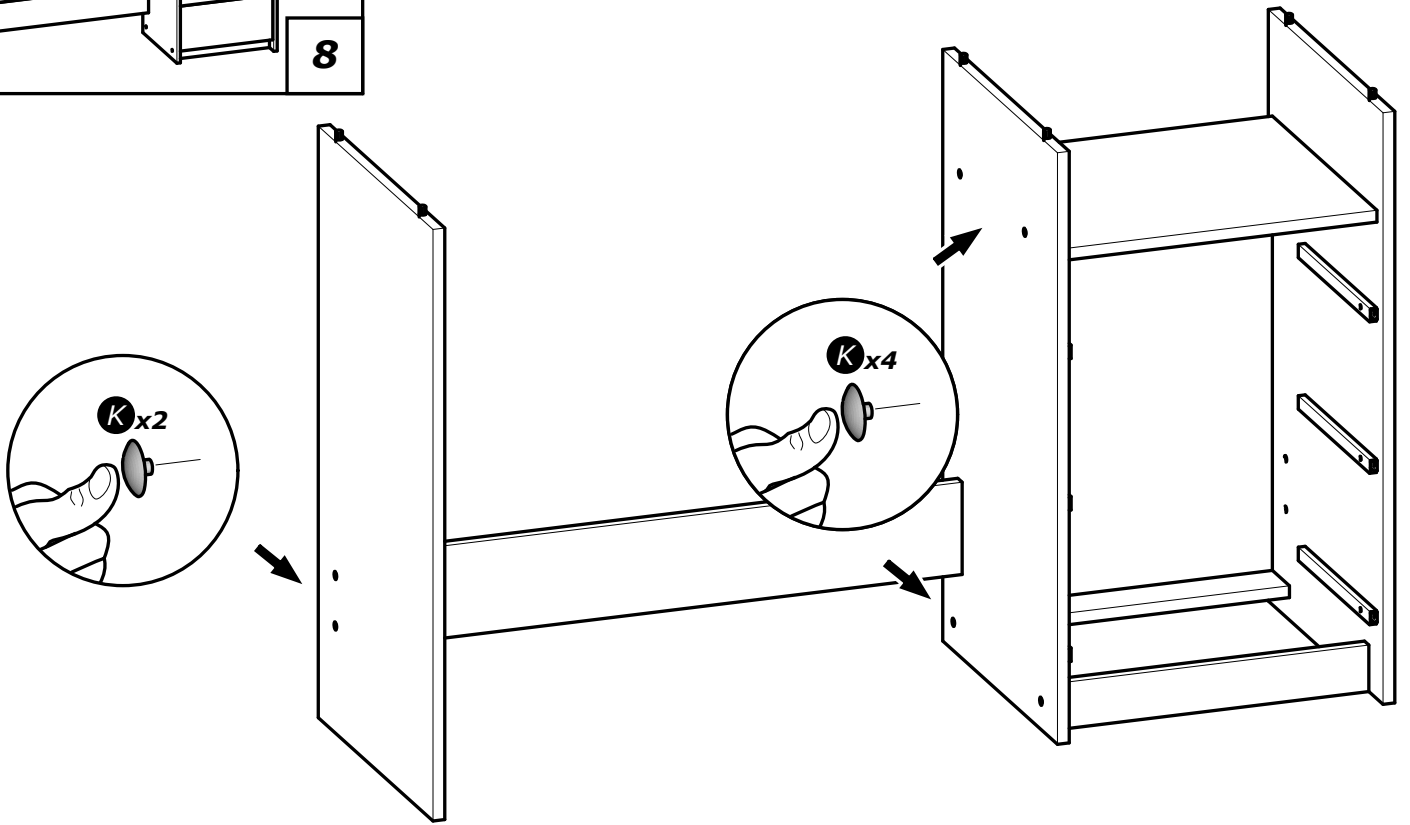


Option 2





Option 1



Option 2

