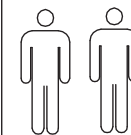


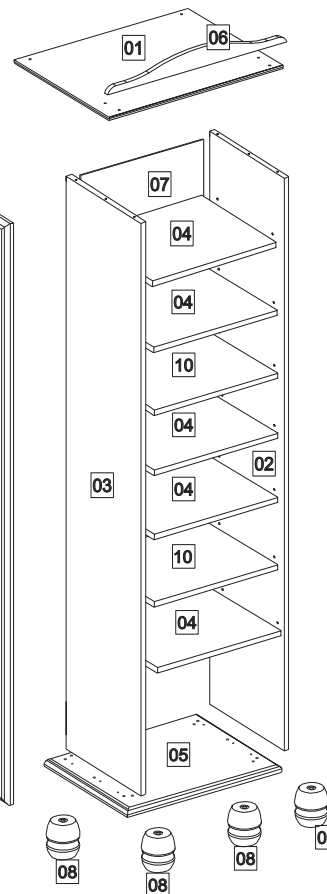
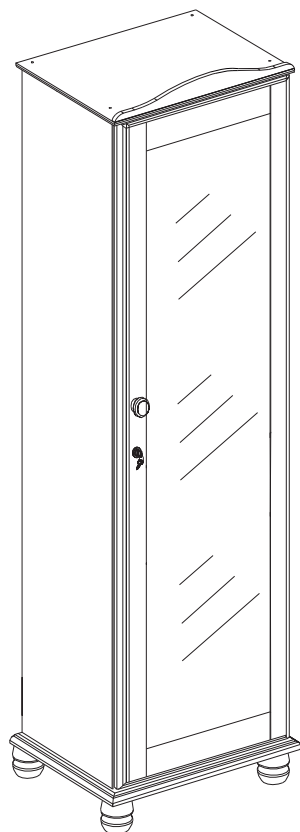
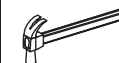
# NÁVOD K MONTÁŽI

## Botník GRAND PRIX

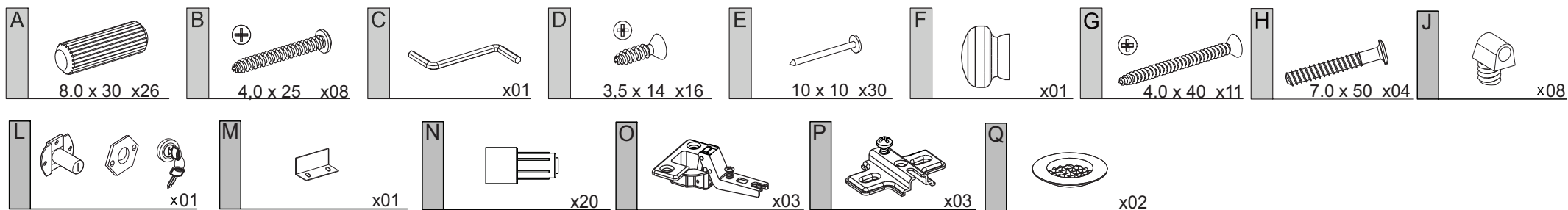
### 208291

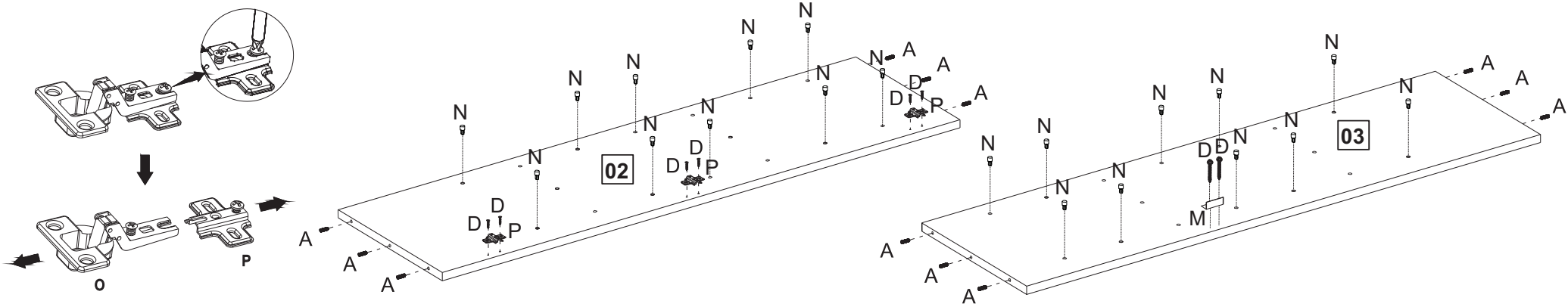
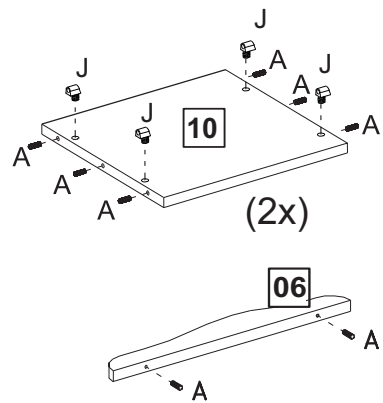
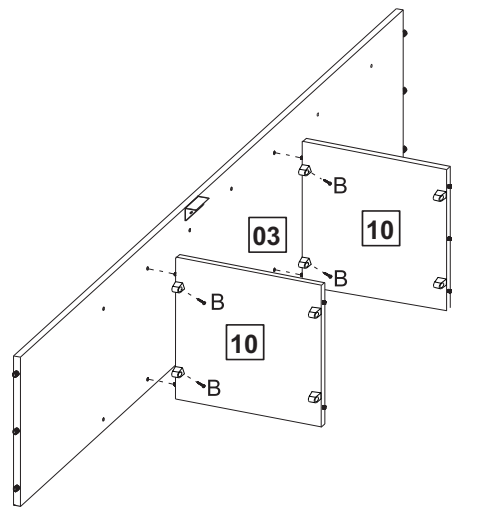
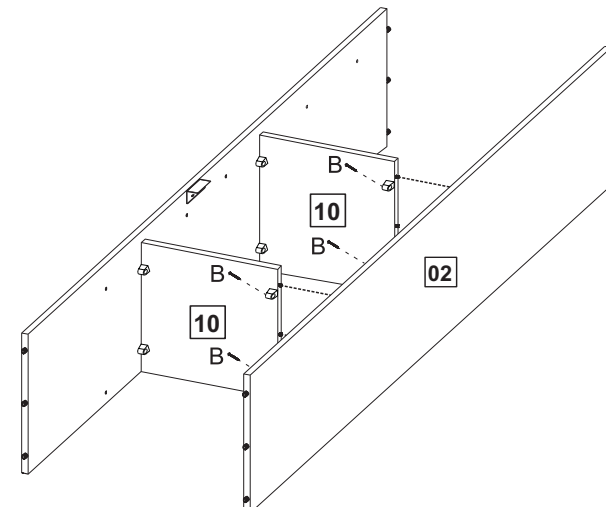
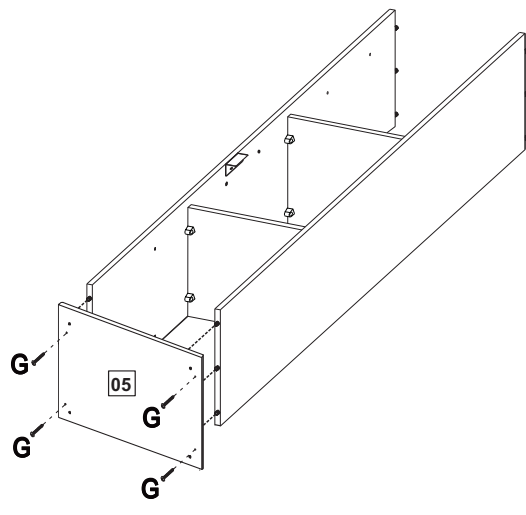
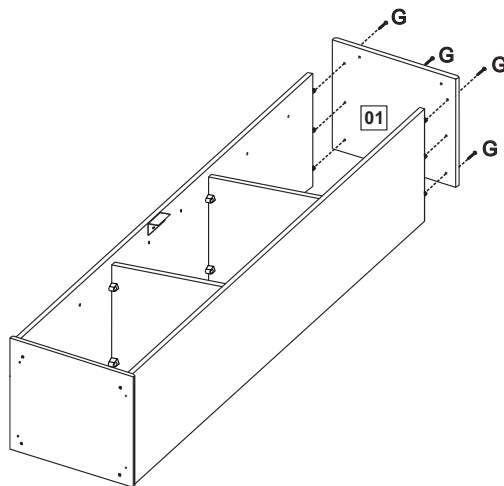
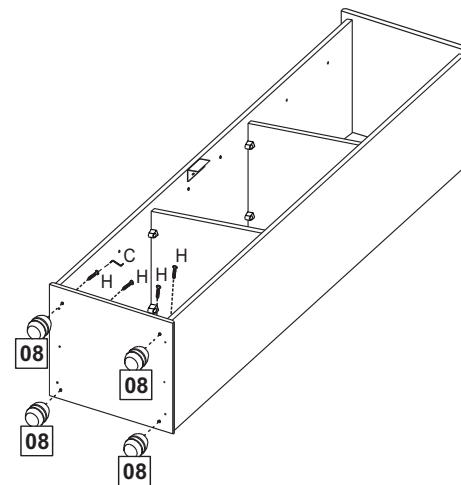


60 min

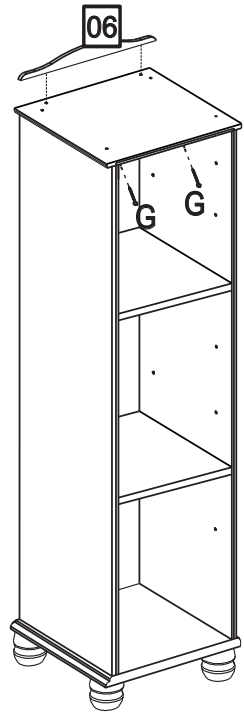


DESCRIPTION	QTY
1- TOP	01
2- RIGHT SIDE PANEL	01
3- LEFT SIDE PANEL	01
4- SHELVES	05
5- BASE	01
6- APPLY HIGHER	01
7- BACK PANEL	01
8- FEET	04
9- DOOR	01
10-FIXED SHELVES	02

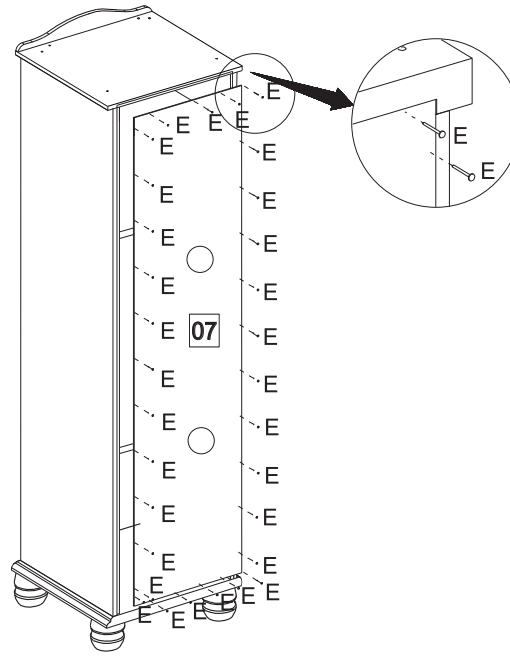


**1****2****3****4****5****6****7**

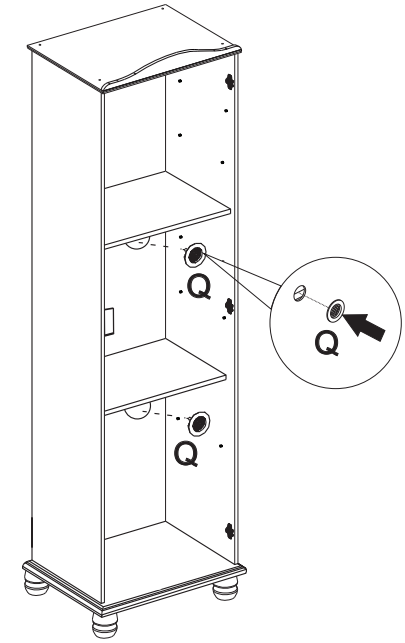
8



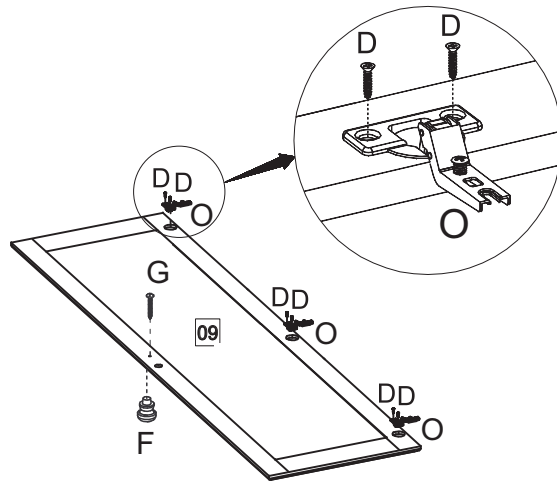
9



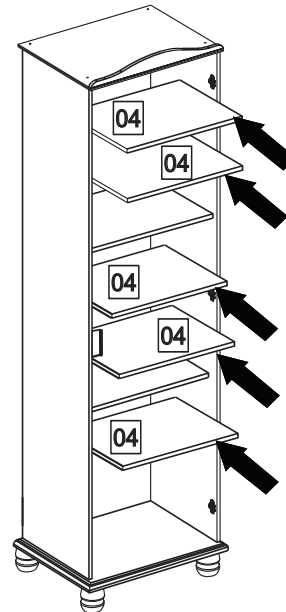
10



11



12



13

