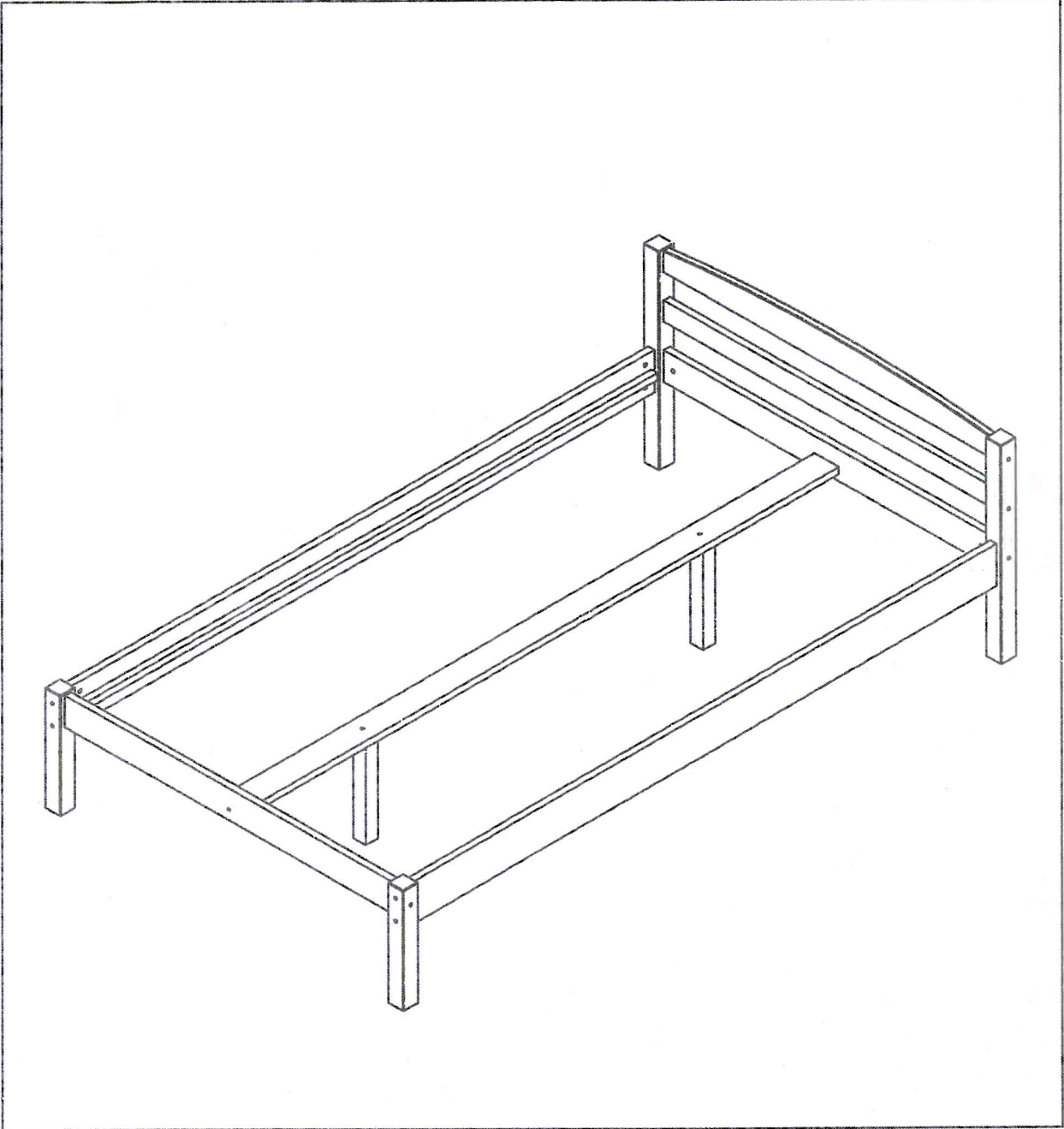








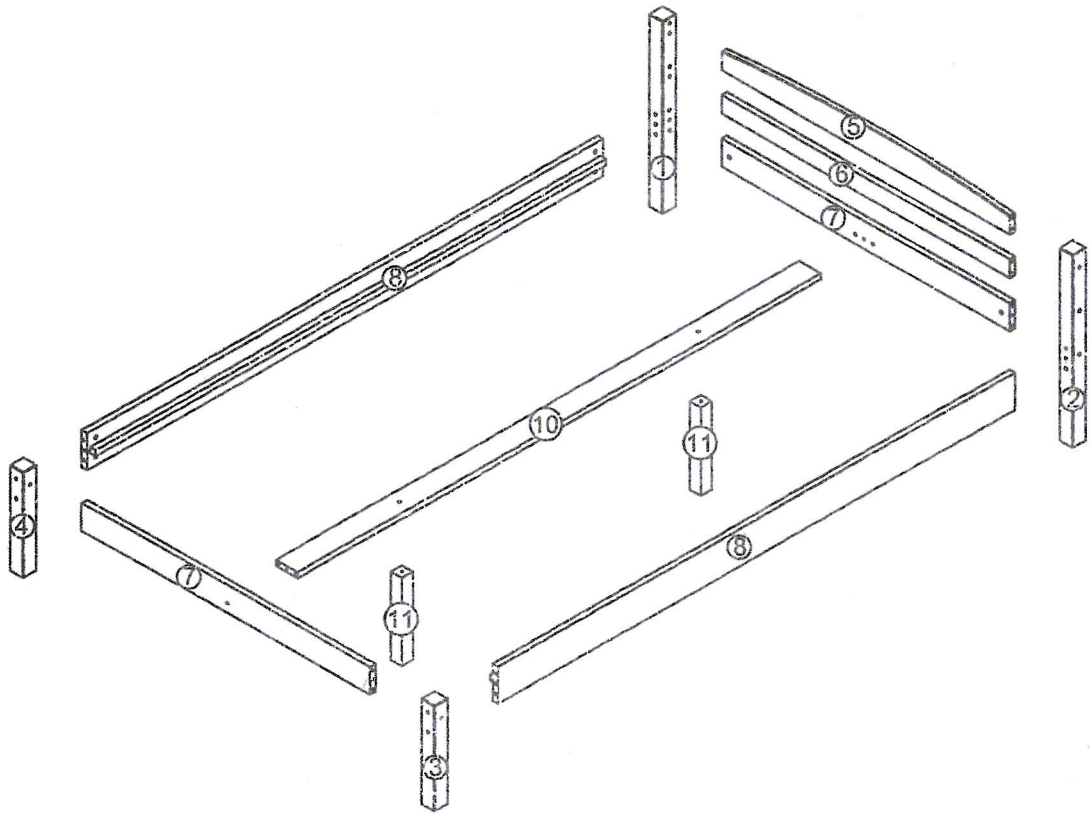
# Assemble Instruction



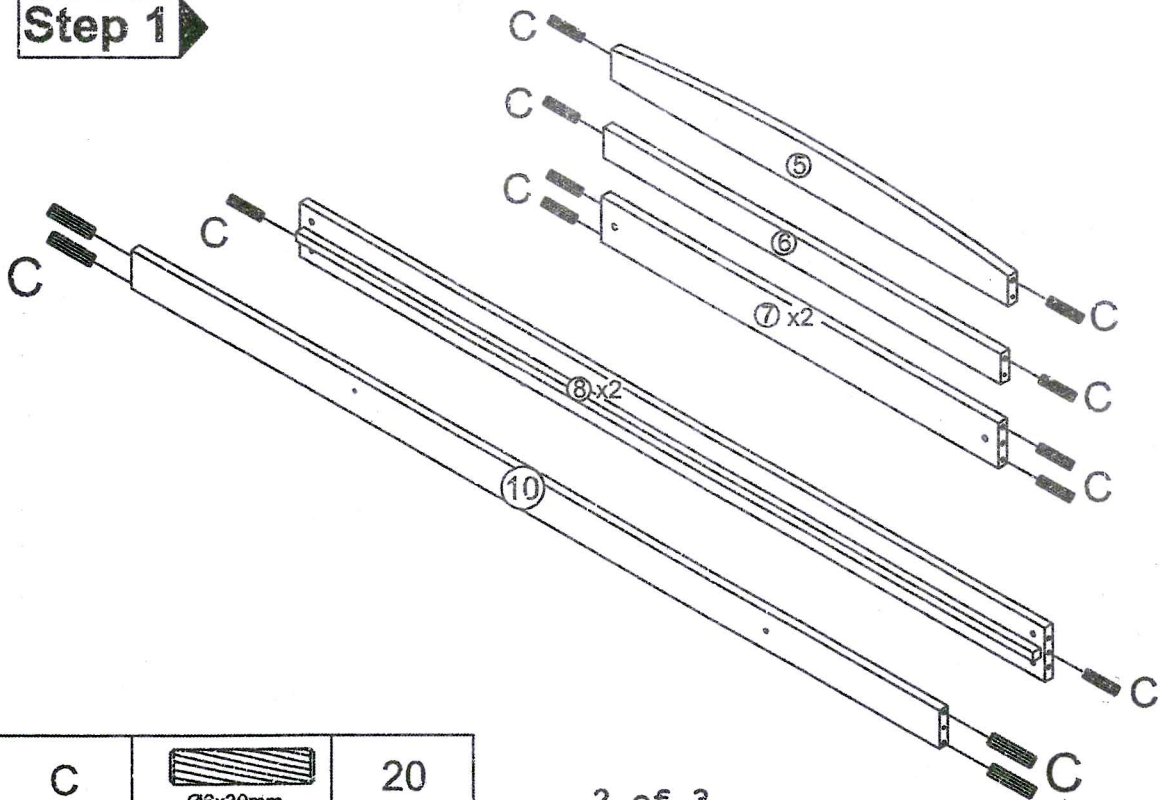
## HARDWARE LIST

A	 M6x90mm	12	D	 $\Phi 6 \times 90 \text{mm}$	04
B	 M6	12	E	 $\Phi 4 \text{mm}$	01
C	 $\text{\O} 8 \times 30 \text{mm}$	20	F	 $\Phi 7 \times 60 \text{mm}$	04

# Parts List



## Step 1

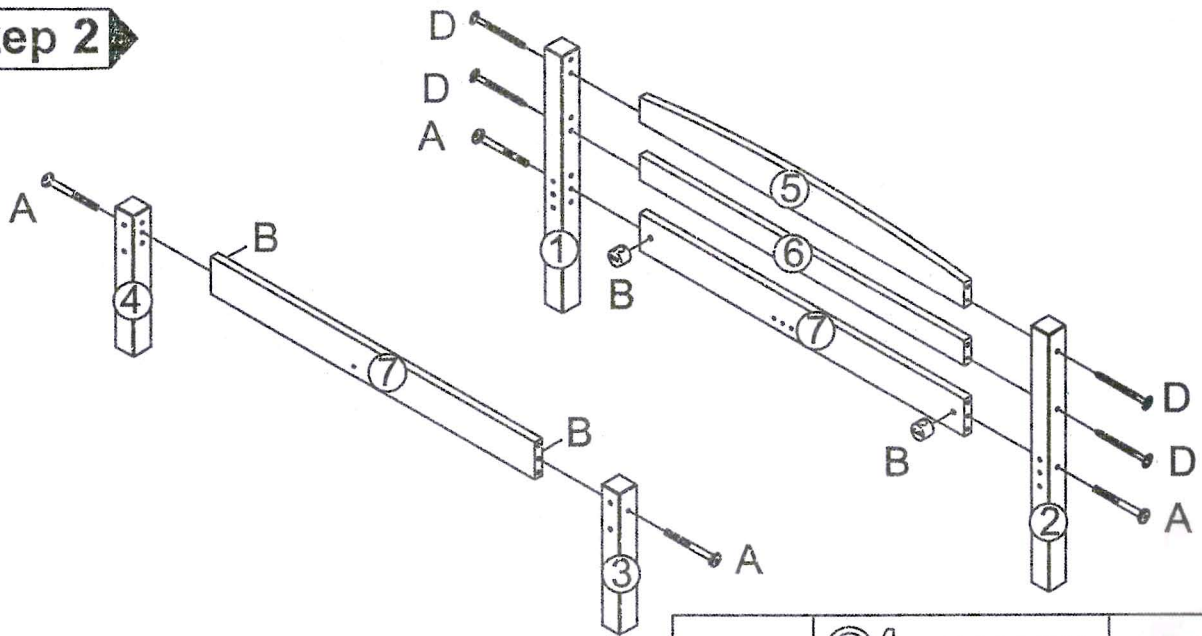





C



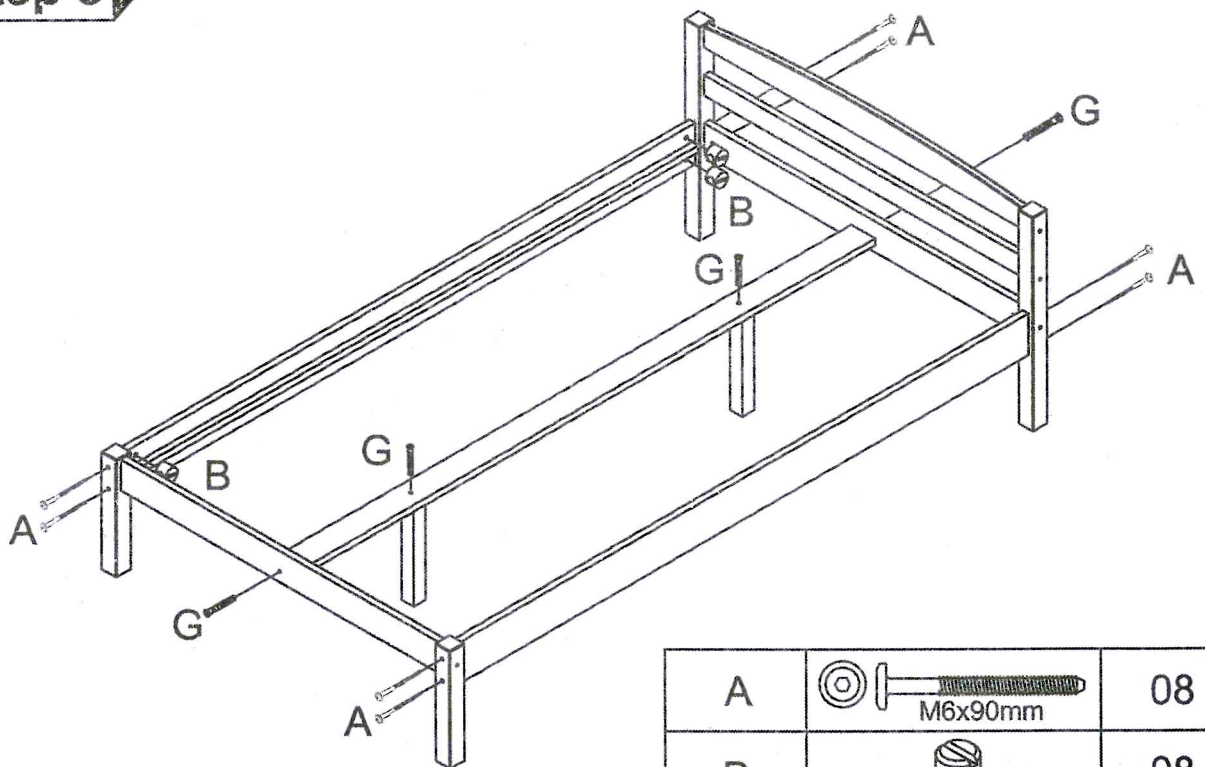
20




### Step 2



A	 M6x90mm	04
B	 M6	04
D	 $\Phi 6 \times 90 \text{mm}$	04

### Step 3



A	 M6x90mm	08
B	 M6	08
G	 $\Phi 7 \times 60 \text{mm}$	04